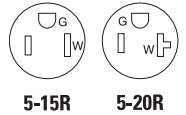


# Combination USB 5A charger with TR duplex receptacle

Project Name:	Prepared By:
Project Number:	Date:
Catalog Number:	Type:

## Description

2-Pole, 3-Wire grounding  
 15A, 125V/AC, 5V/DC, 5A  
 20A, 125V/AC, 5V/DC, 5A  
 NEMA 5-15R, 5-20R



TRUSB5A15



TRUSB5A20

## Design features

- Standard AC duplex receptacle with two USB charging ports rated at 5A
- Dual USB ports charges most compatible USB electronic devices
- Tamper resistant shutters provide compliance with 2014 NEC® Article 406.12 that states that all 15A and 20A, 125V receptacles installed in dwelling units must be tamper resistant
- Replaces a standard duplex receptacle
- Automatic grounding system eliminates need for bonding jumper in grounded metal enclosure, provides redundant measure of ground continuity where jumper is used
- Thermoplastic top and back-body are virtually unbreakable to deliver years of durable performance
- Steel mounting strap is zinc plated for added corrosion resistance
- Convenient patented built-in wire strippers speed installation
- Triple wipe blade contacts and double wipe ground contacts to insure long-term blade retention

**Table 1. USB 5A charger with TR duplex receptacles, pre-stripped wire leads**

Catalog no.	Description	A	Rating			Color suffix
			V/AC	Amp	V/DC	
<input type="checkbox"/> TRUSB5A15__	5.0A USB charger with tamper resistant duplex receptacle	15	125	5.0	5	B, BK, GY, LA, V, W
<input type="checkbox"/> TRUSB5A20__	5.0A USB charger with tamper resistant duplex receptacle	20	125	5.0	5	B, BK, GY, LA, V, W

**Compliances, specifications and availability are subject to change without notice.**



Powering Business Worldwide

Project Name:	Prepared By:
Project Number:	Date:
Catalog Number:	Type:

## Applications

Eaton's USB 5A duplex receptacle offers fast, efficient, and adapter-less charging of electronic devices in residential and commercial environments. The receptacle eliminates clutter by presenting adapter-free charging for all compatible electronic devices, while simultaneously providing charge for up to two devices rated at 5A charging capacity. The product allows for easy installation by leveraging Eaton's convenient patented built-in wire strippers. Designed to be child-safe, the receptacle is designed with tamper-resistant shutters that comply with 2014 NEC® Article 406.12

**Table 2. Specifications**

Catalog no.	TRUSB5A15 & TRUSB5A20 Series
<b>Device type</b>	USB 5A combination charger with tamper resistant duplex receptacle
<b>Wiring type</b>	Screw terminals/side and back wire
<b>Testing &amp; code compliance</b>	cULus Listed to UL498 and UL1310, File no. E15058
<b>Environmental specifications</b>	<b>Flammability:</b> Meets UL94 requirements; V2 rated <b>Temperature rating:</b> -20°C to 60°C (-4°F to 140°F)
<b>Electrical specifications: AC output</b>	<b>Dielectric voltage:</b> Receptacle withstands 2000V per UL498 <b>Temperature rise:</b> Receptacle - max. 30°C (86°F) after 100 cycles of overload @ 150% of rated current (DC)
<b>Electrical specifications: DC output</b>	<b>Switching frequency:</b> Typical 140 kHz <b>Output voltage:</b> Nominal 5V (+/- 10%) <b>Protection:</b> Current limiting and thermal shutdown protection <b>Output current:</b> Constant current maximum 5A
<b>Mechanical specifications</b>	<b>Terminations:</b> Device can be wired using #14 or #12 AWG wires, #14 AWG for TRUSB5A15 and #12 AWG for TRUSB5A20

**Table 3. Materials**

Catalog no.	TRUSB5A15 & TRUSB5A20 Series
<b>Top housing</b>	PC
<b>Bottom housing</b>	PC
<b>Strap</b>	0.045" thick steel, zinc plated
<b>Auto ground clip</b>	Phosphor bronze
<b>Line contacts</b>	0.030" thick brass
<b>Ground contact</b>	0.014" thick brass
<b>Terminal screws</b>	N/A (wire leads)
<b>Ground screw</b>	N/A (wire leads)
<b>Tamper resistant</b>	Reliable Delrin® shutter assembly

**Table 4. Color ordering information**

For ordering devices, include Cat. no. followed by the color suffix: B (Brown), BK (Black), GY (Gray), LA (Light Almond), V (Ivory), W (White)

<b>B</b>	<b>BK</b>	<b>GY</b>	<b>LA</b>	<b>V</b>	<b>W</b>
Brown	Black	Gray	Lt. Almond	Ivory	White

Project Name:	Prepared By:
Project Number:	Date:
Catalog Number:	Type:

## Product Dimensions

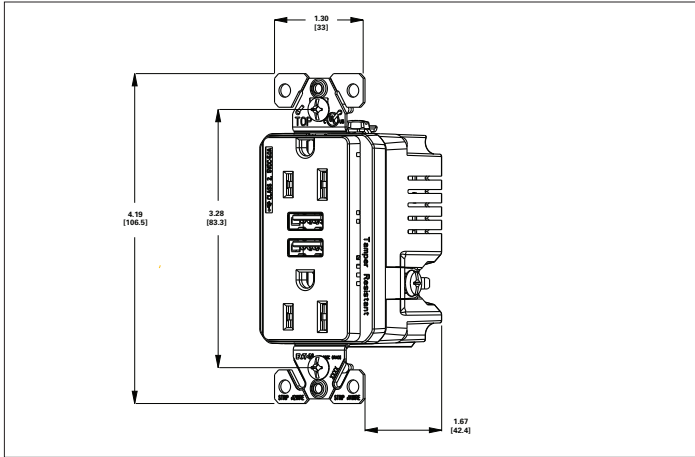


Figure 1. TRUSB5A15

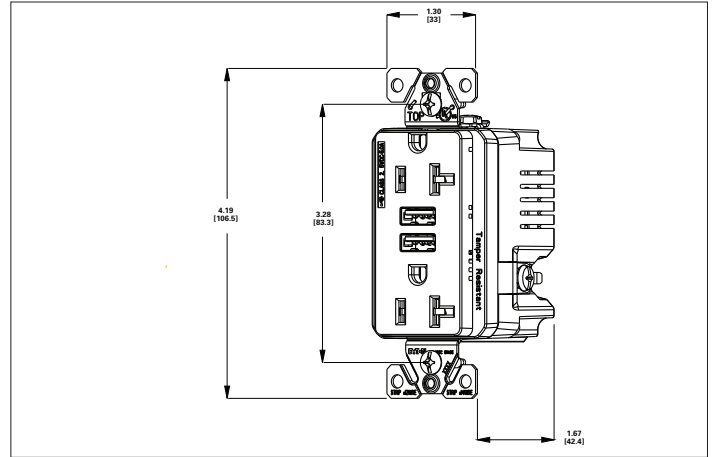
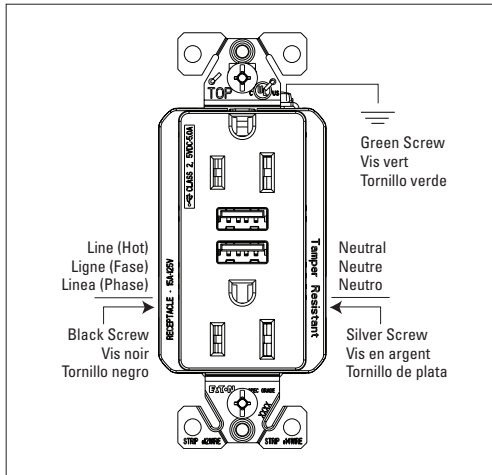


Figure 2. TRUSB5A20

## Wiring Diagram



## Certifications & Compliances

Catalog no.	cULus	NOM 426
TRUSB5A15	•	•
TRUSB5A20	•	•

KEY: cULus cULus NOM 426 NOM

Compliances, specifications and availability are subject to change without notice.

Electrical Sector  
203 Cooper Circle  
Peachtree City, GA 30269  
United States  
Eaton.com  
Eaton.com/wiringdevices

Electrical Sector  
Canada Operations  
5925 McLaughlin Road  
Mississauga, Ontario, L5R 1B8  
Canada  
EatonCanada.ca  
Eaton.com/wiringdevices

Electrical Sector  
Mexico Operations  
Carr. Tlalpanantla -  
Cuautitlan Km 17.8 s/n  
Col. Villa Jardin esq.  
Cerrada 8 de Mayo  
Cuautitlan, Mexico CP 54800  
Mexico  
Eaton.mx  
Eaton.com/wiringdevices