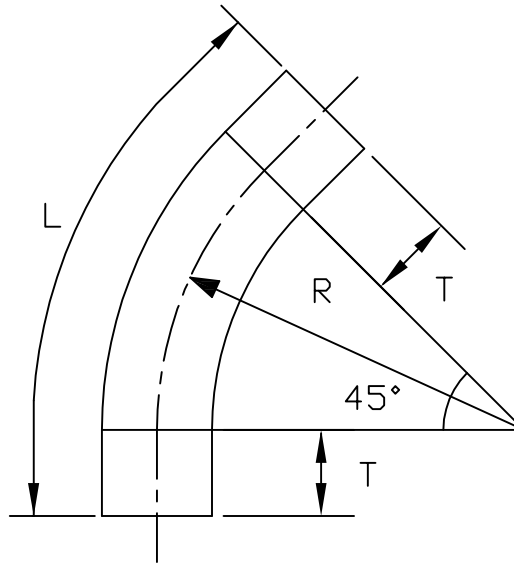


RIGID PVC CONDUIT
CONDUIT RIGIDE EN PVC

45° SCH40 BEND PE / 45° SCH40 COUDE BU

ISSUE DATE: 2007 04 20
DATE D'EMISSION:

SUPERSEDES: 2006 05 02
REPLACE:



CODE	Size Grosueur	L Ref.	R Ref.	T Ref.	
KRALOY	# 068606	63mm (2.5")	360mm (14.188")	267mm (10.50")	76mm (3.0")
	# 076721				
	# 078558				
KRALOY	# 068607	78mm (3.0")	438mm (17.25")	330mm (13.0")	89mm (3.50")
	# 076722				
	# 078559				
KRALOY	# 068608	91mm (3.5")	464mm (18.25")	381mm (15.0")	89mm (3.50")
	* 069209				
	# 076723 # 078560				
KRALOY	# 068609	103mm (4.0")	505mm (19.875")	406mm (16.0")	89mm (3.50")
	# 076724				
	# 078561				
KRALOY	# 068611	129mm (5.0")	1016mm (40.0")	610mm (24.0")	267mm (10.50")
	# 076725				
	# 078562				
KRALOY	# 068612	155mm (6.0")	1016mm (40.0")	762mm (30.0")	210mm (8.25")
	# 076726				
	# 078563				

#- UL APPROVED / APPROUVES

*- CSA CERTIFIED / CERTIFIE

L- LENGTH OF PIPE BEFORE BENDING / LONGUEUR DU TUYAU AVANT D'ETRE COURBE