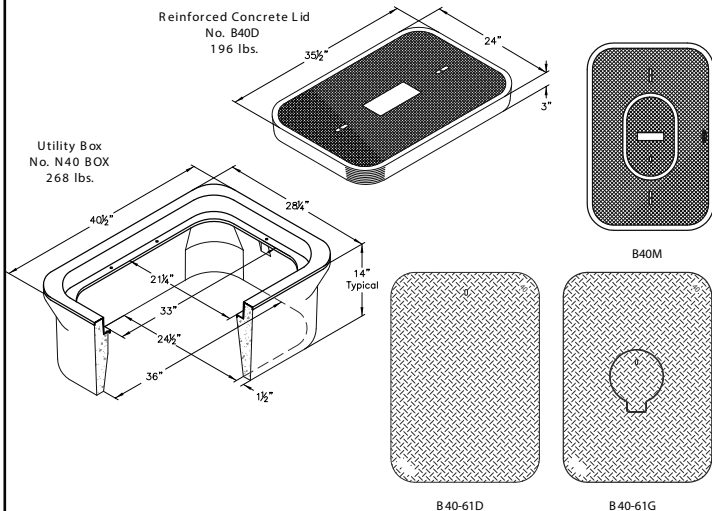


## UTILITY & VALVE BOXES

- Etched polypropylene face
- Face anchored in concrete
- Ultra-violet inhibitor
- Exceeds ASTM-D1693 Standards for Environmental Stress Cracking Resistance



A high density reinforced concrete box with non-settling shoulders positioned to maintain grade and facilitate back filling. Approximate dimensions and weight shown.

Oldcastle Ordering Code	Item	Approx. Shipping Weight	Description
N40BOX	BOX	268 lbs.	N65 Utility Box (15" X 26-1/2") - 8 per pallet
B40D	LID	196 lbs.	Reinforced Concrete Lid - Non Bolt Down
B40M	LID	168 lbs.	Reinforced Concrete with 7" x 13-1/2" Concrete Reading Lid
B40-61D	COVER	82 lbs.	Steel Checker Plate Cover
B40-61G	COVER	84 lbs.	Steel Checker Plate Cover with 8" Round, Self-Closing Reading Lid
B40-61P	COVER	88 lbs.	Steel checker plate cover with probe hole option
B40X10	EXTENSION	215 lbs.	12" Reinforced Concrete Box Extension - 8 per pallet
B40SL	SLAB	201 lbs.	Reinforced Concrete Slab (20" x 34")

Galvanizing available on all steel covers. Probe holes : badger, flexnet, orion, neptune



Phone: (800) 735-5566 Fax: (800) 486 6806

Copyright© 2017 Oldcastle, Inc.

### N40 BOX

FILE NAME: B40\_ISO

ISSUE DATE: January, 2011

OldcastleEnclosures.com

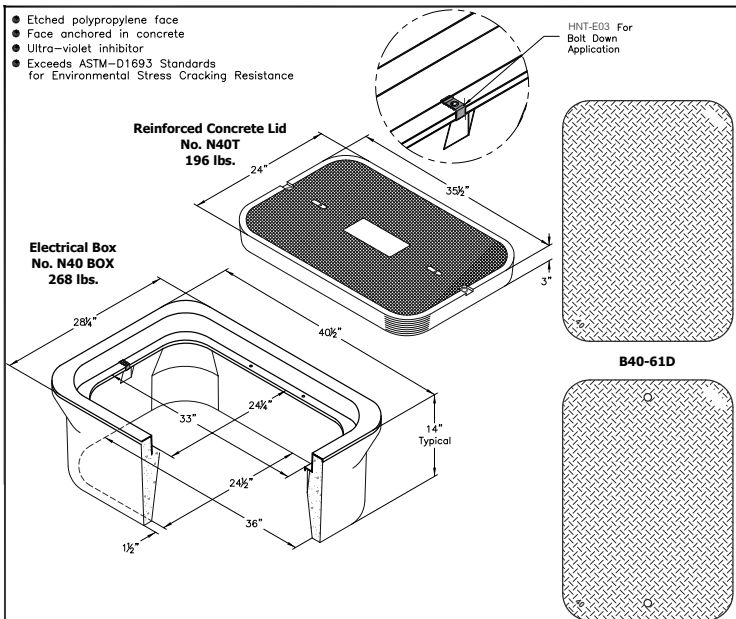
### N40 UTILITY BOX

24-1/2" x 36"

CHRISTY

# ELECTRICAL & TELEPHONE BOXES

- Etched polypropylene face
- Face anchored in concrete
- Ultra-violet inhibitor
- Exceeds ASTM-D1693 Standards for Environmental Stress Cracking Resistance



A high density reinforced concrete box with non-settling shoulders positioned to maintain grade and facilitate back filling. Approximate dimensions and weight shown.

Oldcastle Ordering Code	Item	Approx. Shipping Weight	Description
N40BOX	BOX	268 lbs.	N40 Electrical Box (24 1/2" x 36") w/ Bolt Down Provisions— 3 per pallet
N40T	LID	196 lbs.	Reinforced Concrete Lid (Order N98 – Set of 2 – Bolt Down Kit Separately)
B40-61D	COVER	82 lbs.	Steel Checker Plate
N40-61J	COVER	84 lbs.	Steel Checker Plate Bolt Down (Order N98 – Set of 2 – Bolt Down Kit Separately)
N40X10	EXTENSION	215 lbs.	10" Reinforced Concrete – 4 per pallet
B40SL	SLAB	194 lbs.	Reinforced concrete (16" x 28")

Galvanizing available on all steel covers

 Oldcastle Enclosure Solutions

Phone: (800) 735-5566 Fax: (800) 486 6806  
Copyright © 2017 Oldcastle, Inc.

## N40 BOX

FILE NAME: N40\_ISO

ISSUE DATE: January, 2011

[OldcastleEnclosures.com](http://OldcastleEnclosures.com)

## N40 ELECTRICAL BOX 24-1/2" x 36"

CHRISTY