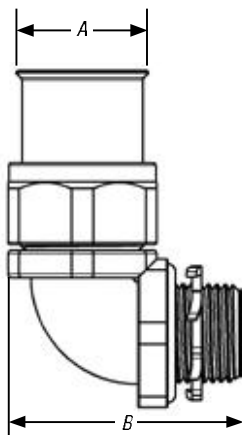
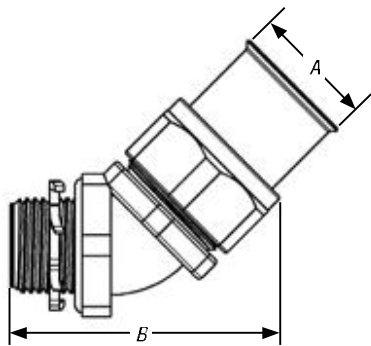
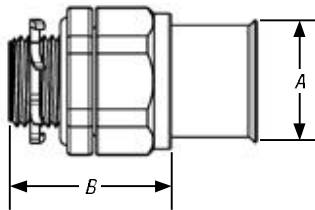


Type A Liquidtight Fittings and Flexible Non-Metallic Conduits

Provides a positive seal against water, oil and dust!

Steel Liquidtight Connectors for Type A Non-Metallic Flexible Conduit

- Steel or malleable iron construction with nylon-insulated throat
- Santoprene® sealing gasket with Type 316 stainless steel retaining ring
- NPT hub threads seal in female threads
- Offers high mechanical pull-out strength
- Supplied with sealing ring and steel locknut
- Available in straight, 45° and 90° in hub sizes from 3/8" to 2"



Straight Steel Liquidtight Connectors for Type A Conduit



| CAT. NO. | CONDUIT SIZE | HUB THREAD | DIMENSIONS (IN.) | |
|----------|--------------|--------------------|------------------|-------|
| | | | A | B |
| 3720-TB* | 3/8" | 1/2 - 14 NPT | 1 1/32 | 2 |
| 3721-TB | 1/2" | 1/2 - 14 NPT | 1 3/8 | 2 1/8 |
| 3722-TB | 3/4" | 3/4 - 14 NPT | 1 5/8 | 2 1/4 |
| 3723 | 1" | 1 - 11 1/2 NPT | 1 7/8 | 2 1/2 |
| 3724-TB | 1 1/4" | 1 1/4 - 11 1/2 NPT | 2 3/8 | 2 |
| 3725 | 1 1/2" | 1 1/2 - 11 1/2 NPT | 2 7/8 | 3 3/8 |
| 3726 | 2" | 2 - 11 1/2 NPT | 3 1/32 | 3 3/8 |

* Not UL Listed
UL File No. E 23018

45° Angled Steel Liquidtight Connectors for Type A Conduit



| CAT. NO. | CONDUIT SIZE | HUB THREAD | DIMENSIONS (IN.) | |
|----------|--------------|--------------------|------------------|---------|
| | | | A | B |
| 3730-TB* | 3/8" | 1/2 - 14 NPT | 1 1/32 | 2 13/32 |
| 3731-TB | 1/2" | 1/2 - 14 NPT | 1 3/8 | 2 5/16 |
| 3732 | 3/4" | 3/4 - 14 NPT | 1 5/8 | 3 |
| 3733-TB | 1" | 1 - 11 1/2 NPT | 1 7/8 | 3 1/2 |
| 3734-TB | 1 1/4" | 1 1/4 - 11 1/2 NPT | 2 3/8 | 4 3/8 |
| 3735-TB | 1 1/2" | 1 1/2 - 11 1/2 NPT | 2 7/8 | 4 7/8 |
| 3736 | 2" | 2 - 11 1/2 NPT | 3 1/32 | 5 1/2 |

* Not UL Listed
UL File No. E 23018

90° Angled Steel Liquidtight Connectors for Type A Conduit



| CAT. NO. | CONDUIT SIZE | HUB THREAD | DIMENSIONS (IN.) | |
|----------|--------------|--------------------|------------------|--------|
| | | | A | B |
| 3740* | 3/8" | 1/2 - 14 NPT | 1 1/32 | 1 1/8 |
| 3741 | 1/2" | 1/2 - 14 NPT | 1 3/8 | 1 1/4 |
| 3742 | 3/4" | 3/4 - 14 NPT | 1 5/8 | 2 1/4 |
| 3743-TB | 1" | 1 - 11 1/2 NPT | 1 7/8 | 2 5/16 |
| 3744-TB | 1 1/4" | 1 1/4 - 11 1/2 NPT | 2 3/8 | 3 1/4 |
| 3745 | 1 1/2" | 1 1/2 - 11 1/2 NPT | 2 7/8 | 3 1/2 |
| 3746-TB | 2" | 2 - 11 1/2 NPT | 2 1/32 | 4 7/8 |

* Not UL Listed
UL File No. E 23018
Santoprene is a registered trademark of Advanced Elastomer Systems.