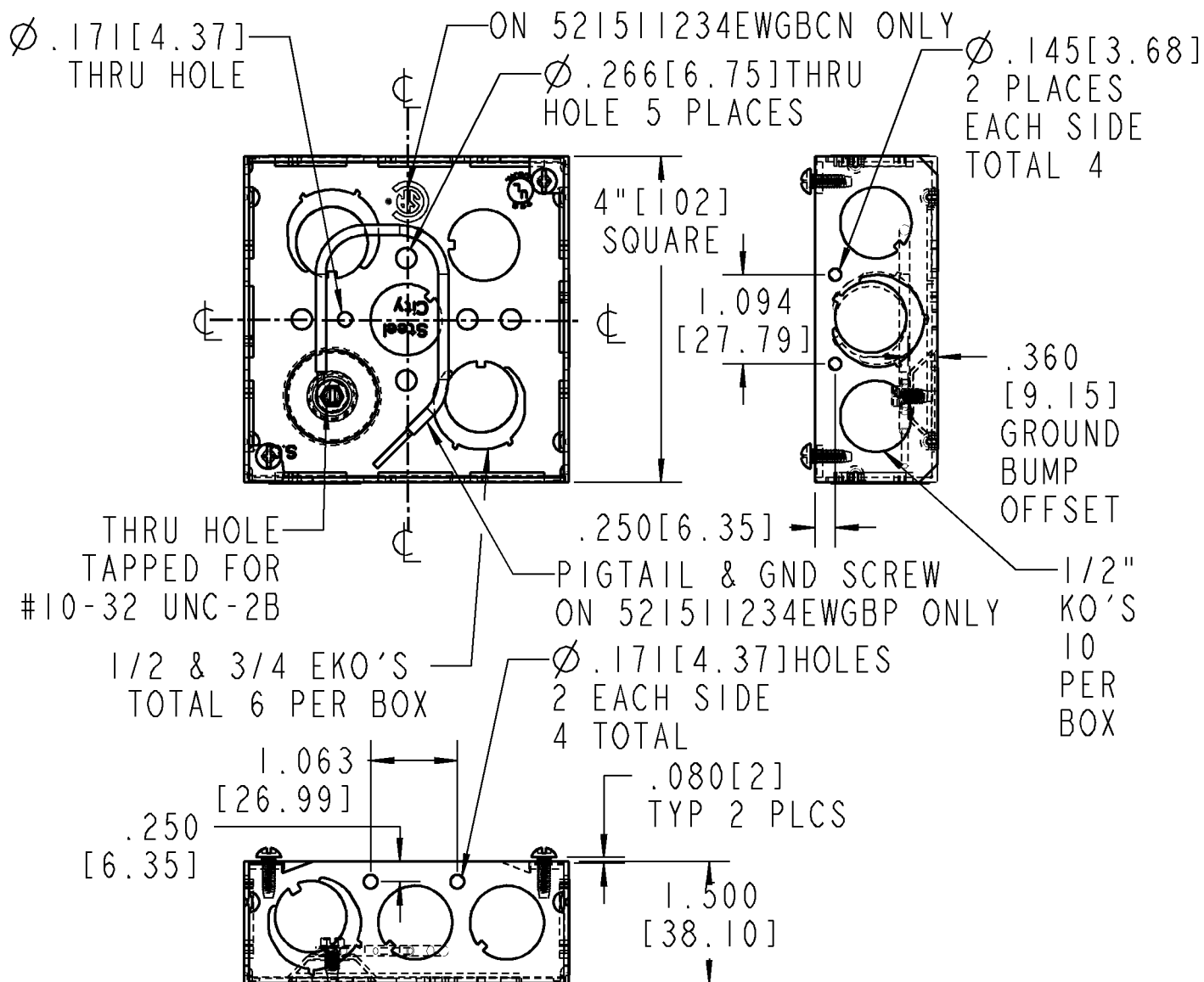




# Steel City



NOTES:  
 1-MATERIAL TO BE .063" [1.60] THICK HOT ROLLED C-1008 GALVANIZED STEEL PER G90-U.  
 2- PUNCHED THRU HOLES FOR STUD OR BRACKET MOUNTINGS.

521511234EWGBCN	WELDED 4" SQUARE 1-1/2" DP BOX WITH 1/2 & 3/4" EKO'S W/GND BUMP, CSA MARK
521511234EWGBP	WELDED 4" SQ 1-1/2" DP BOX WITH 1/2 & 3/4" EKO'S W/GND BUMP & PIGTAIL
521511234EWGB	WELDED 4" SQUARE 1-1/2" DP BOX WITH 1/2 & 3/4" EKO'S W/GND BUMP
CATALOG NUMBER	DESCRIPTION

**GENERAL NOTES**

1. ALL DIMENSIONS ARE FOR REFERENCE ONLY.
2. DIMENSIONS IN BRACKETS [ ] ARE IN METRIC UNITS.

**REVISIONS**

\*\* SEE ERN ( \*\*\*\* ) FOR APPROVAL SIGNATURES & RELEASE DATE.  
 PROJECT NO: \*\*\*\*

**Thomas & Betts**  
 www.tnb.com

DESCRIPTION: **WELDED 4" SQ 1-1/2" DP BOX WITH 1/2 & 3/4 EKO'S AND RAISED GROUND BUMP**

ORIGINAL PROJECT NO / ( ERN NO )	SHEET NO:	REV. NO:	DRAWING NO:
MM400387 / ( 2012945 )	1 OF 1	-	WSD-001025