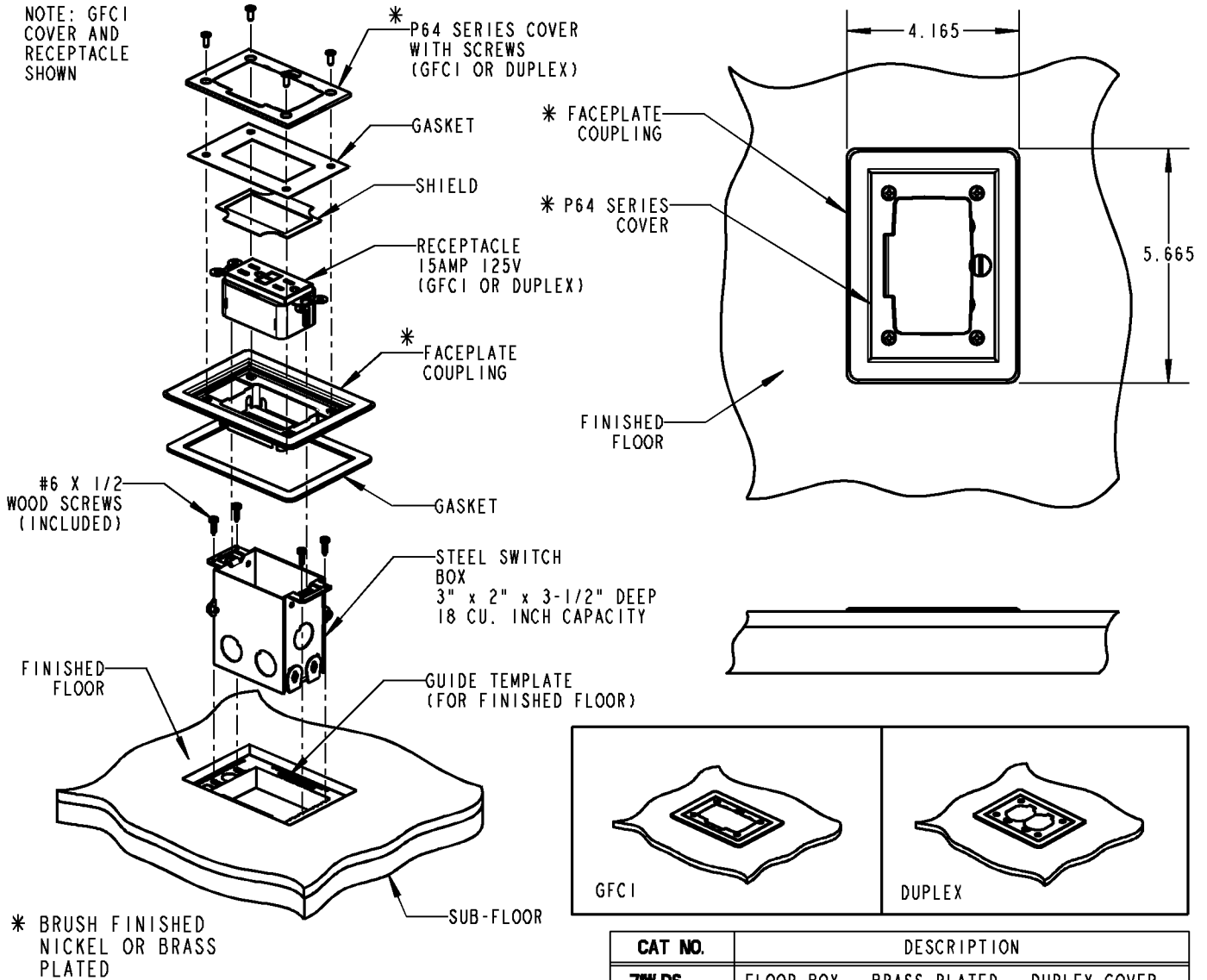


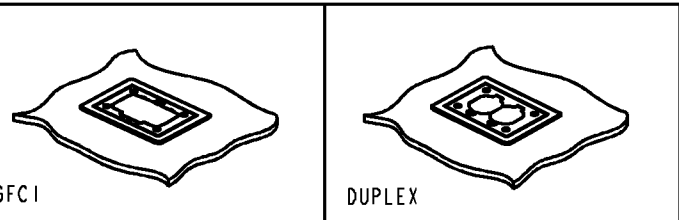
Steel City

NOTE: GFCI COVER AND RECEPTACLE SHOWN



FEATURES:

1. FACEPLATE COUPLING MADE FROM A HIGH STRENGTH ZINC ALLOY.
2. P64 SERIES COVERS FOR GFCI OR DUPLEX RECEPTACLES.
3. STEEL FLOOR BOX, 18.0 CU. INCH CAPACITY WITH (2) 1/2" K.O.'S ON EACH SIDE, (1) 1/2" K.O. AND (2) CABLE K.O.'S WITH NONMETALLIC SHEATHED CABLE CLAMPS EACH END AND (1) K.O. ON BOTTOM.
4. FOR USE WITH HARDWOOD, CERAMIC TILE AND CARPET FLOORS.
5. GFCI AND DUPLEX RECEPTACLES ARE RATED AT 15AMP 125V AND PROVIDED WITH A WHITE FACE.



CAT NO.	DESCRIPTION
71W-DS	FLOOR BOX - BRASS PLATED - DUPLEX COVER
71W-GFCI	FLOOR BOX - BRASS PLATED - GFCI COVER
71W-DS-N	FLOOR BOX - NICKEL PLATED - DUPLEX COVER
71W-GFCI-N	FLOOR BOX - NICKEL PLATED - GFCI COVER

NOTE:
MINIMUM 3/8 INCH FINISHED FLOOR THICKNESS



GENERAL NOTES		DESCRIPTION: 71W SERIES SINGLE GANG RESIDENTIAL FLOOR BOX			
1. ALL DIMENSIONS ARE FOR REFERENCE ONLY. 2. DIMENSIONS IN BRACKETS [] ARE IN METRIC UNITS.					
REVISIONS		ORIGINAL PROJECT NO / (ERN NO)	SHEET NO:	REV. NO:	DRAWING NO:
2 SEE ERN (2005731) FOR APPROVAL SIGNATURES & RELEASE DATE. PROJECT NO: UD55559		UD55559 / (2005007)	1 OF 1	2	WSD-000105

Thomas & Betts
www.tnb.com