

Switches, Three Way  
 20A, 120-277V AC  
 Specification Grade Commercial Switch

# HUBBELL

## Features

- Thread cleaning captive mounting screw
- Abuse resistant nylon toggle
- Steel, zinc plated bridge is corrosion resistant

## Ordering Information

| Description             | Toggle Color | UPC          | Catalog Number |
|-------------------------|--------------|--------------|----------------|
| Toggle, side wired only | White        | 783585902142 | CS320W         |

## Listings

UL Listed  
 CSA Certified  
 Fed. Spec. W-S-896

## Specifications

|                                |                      |
|--------------------------------|----------------------|
| Top Material                   | Thermoplastic, Gray  |
| Base Material                  | Thermoplastic, Black |
| Toggle Material                | Nylon                |
| Contacts                       | Silver Alloy         |
| Terminal Screws                | Brass                |
| Auto Grounding Mounting Bridge | Zinc Plated Steel    |
| Ground Screw                   | Brass (Green)        |

## Performance

### Electrical

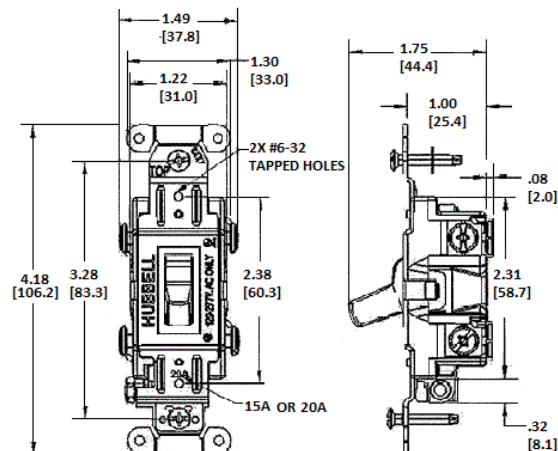
|                         |  |
|-------------------------|--|
| Dielectric Voltage      | Withstands 1500V AC minimum for 1 minute       |
| Max. Continuous Current | 20A  |
| Max. Working Voltage    | 277V AC  |
| Overload                | Minimum 4.8 times rated current for 100 cycles |
| Temperature Rise        | 30°C maximum at rated current                  |

### Mechanical

Terminal Accommodations #14 AWG min. - #10 AWG max. solid and stranded copper wire only

### Environmental

|                       |  |
|-----------------------|--|
| Flammability          | UL 94V-2   |
| Operating Temperature | Max. continuous: 75°C; Min. continuous: -40°C without impact |



## Online Resources

Customer Use Drawing  
 eCatalog

Dimensions in Inches (mm)

Hubbell Wiring Device-Kellems • Hubbell Incorporated (Delaware) • 40 Waterview Drive • Shelton, CT 06484

Phone (800) 288-6000 • Fax (800) 255-1031 • Specifications subject to change without notice.

