

Decorator quiet fan speed control

Project Name:	Prepared By:
Project Number:	Date:
Catalog Number:	Type:

Description

Single Pole & 3-Way
120V/AC, 60Hz, 1.5A

Design features

- Packaged in color change kits with packouts of 3 different colors for increased flexibility and convenience
- Equipped with fan motor noise reduction circuitry for lower speeds
- All units are available in combined single-pole/3-way
- Replaces a standard switch and adds fan control capabilities
- Electrostatic discharge protection
- Radio frequency interface filtering is standard on all models
- Compatible with any traditional decorator switch wallplate or screwless wallplate



DFS15P1 C2



DFS15P1 C7



Table 1. Decorator Fan Speed Controls

Catalog No.	Description	Rating	Color Suffix
<input type="checkbox"/> DFS15P1__	Decorator fan speed control, quiet, 3-speed	1.5A 120V/AC	C2, C7

Compliances, specifications and availability are subject to change without notice.



Powering Business Worldwide

Project Name:	Prepared By:
Project Number:	Date:
Catalog Number:	Type:

Applications

Eaton's 1.5A Decorator Quiet Fan Speed Controls are 3-speed fan controls that combine the standard "ON/OFF" switch toggle functionality with a smooth slide for selection of low, medium or high fan speeds. These units feature reduced fan humming at low speeds and enable quiet fan control. Designed for single pole (one location) and 3-way (multi-location) these devices are ideal solutions to upgrade standard fan switches for more control capabilities. Equipped with interchangeable kits, the fan speed controls enable increased flexibility and ease in installation. They are also compatible with any traditional-style wallplates.

Table 2. Specifications

Catalog No.	DFS15P1 series
Device Type	Fan Speed Control
Wiring Type	Back & side wire
Testing & Code Compliance	<ul style="list-style-type: none"> Listed to UL1917, file no. E202842 & CSA standard C22.2, no. 156 NOM Certified
Environmental Specifications	Flammability: Meets UL 94 requirements; V2 rated Temperature Rating: 0°C to 40°C (32°F to 104°F)
Electrical Specifications	Power requirement: 120VAC 60Hz Maximum load: 1.5A Power-failure Memory: Fan returns to same level after power interruption Switching Technology: Capacitive switching
Mechanical Specifications	Wiring Types: Single Pole & 3-Way Voltage Ratings: Permanently marked on device

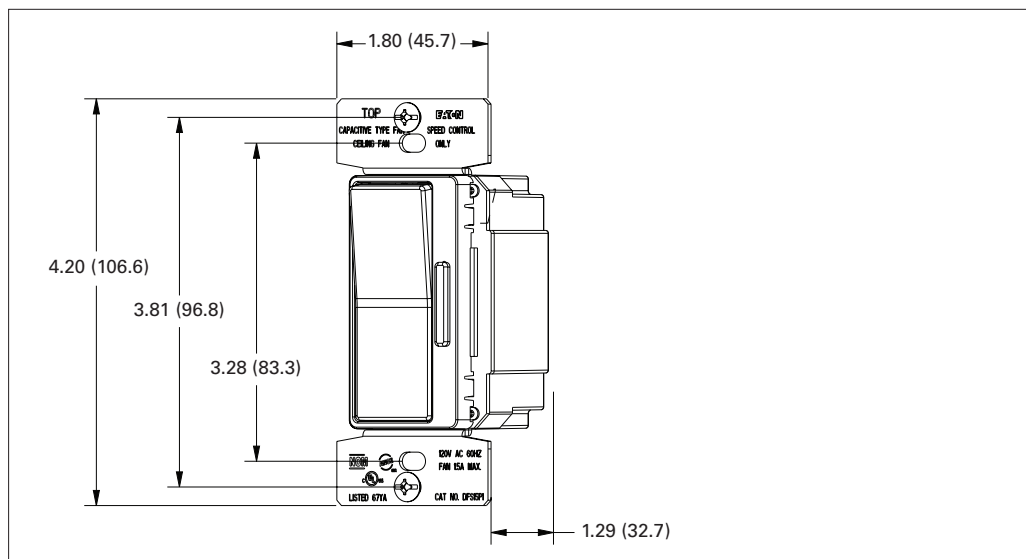
Table 3. Color Ordering Information

For ordering devices, include Cat. No. followed by the color code: C2 (Color Change Kit: LA, W, V), C7 (Color Change Kit: B, BK, GY)

LA	W	V	B	BK	GY
C2 Color Kit			C7 Color Kit		
LA (Light Almond), W (White), V (Ivory)			B (Brown), BK (Black), GY (Gray)		

Compliances, specifications and availability are subject to change without notice.

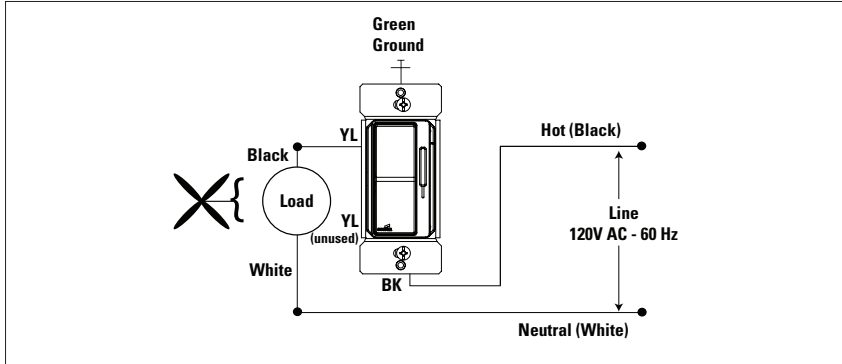
Product Dimensions



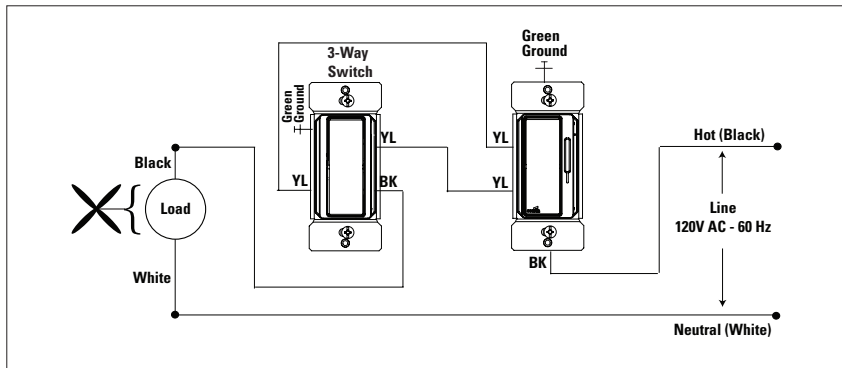
Project Name:	Prepared By:
Project Number:	Date:
Catalog Number:	Type:

Wiring Diagrams

Single Pole Wiring Diagram



3-Way Wiring Diagram



Certifications & Compliances

Catalog No.  
DFS15P1 . .

KEY:  cULus  NOM

Compliances, specifications and availability are subject to change without notice.

Electrical Sector
203 Cooper Circle
Peachtree City, GA 30269
United States
Eaton.com
Eaton.com/wiringdevices

Electrical Sector
Canada Operations
5925 McLaughlin Road
Mississauga, Ontario, L5R 1B8
Canada
EatonCanada.ca
Eaton.com/wiringdevices

Electrical Sector
Mexico Operations
Carr. Tlalnepantla -
Cuautitlan Km 17.8 s/n
Col. Villa Jardin esq.
Cerrada 8 de Mayo
Cuautitlan, Mexico CP 54800
Mexico
Eaton.mx
Eaton.com/wiringdevices