

Enclosures for hazardous areas
EBMX clamped enclosures

CROUSE-HINDS
SERIES

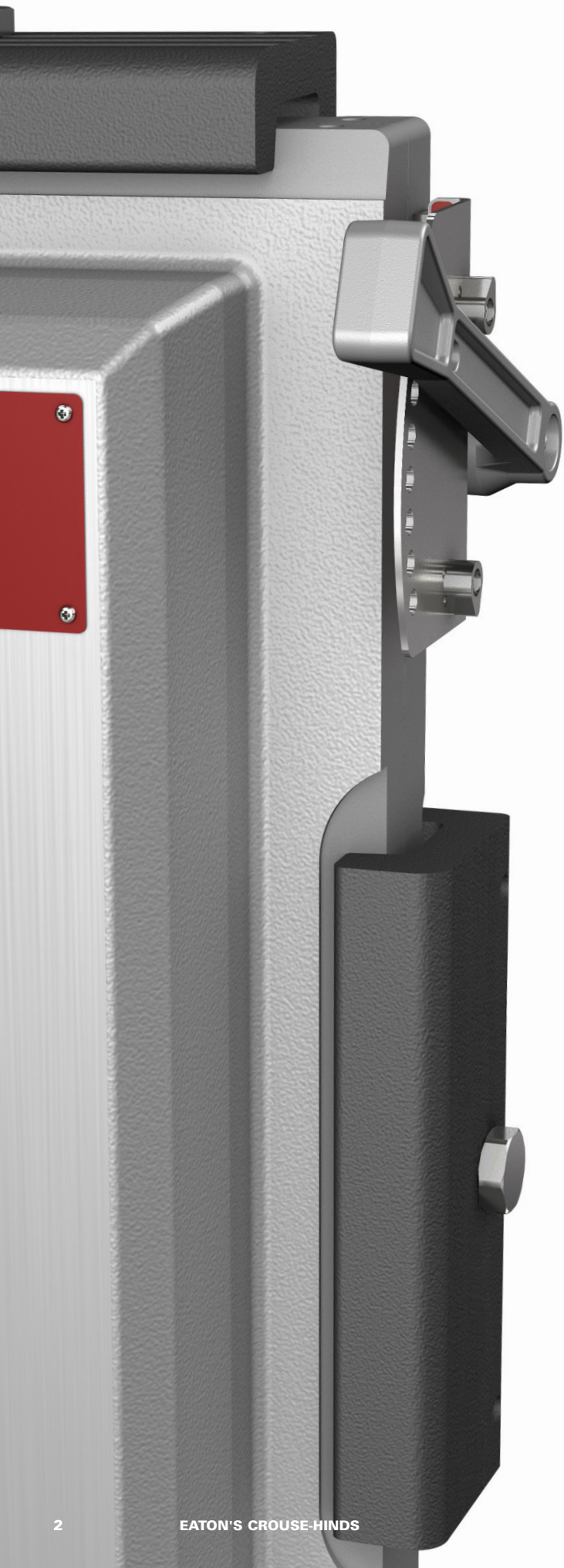
Clamped EBMX

NEMA 7 classified enclosures



EATON

Powering Business Worldwide



Clamped EBMX: NEMA 7 classified enclosures

Safer. Faster.

Easy access, lower risk and less downtime.

Creative thinking and reliable solutions. That's what you need in the world's most demanding environments, and that's what Eaton's Crouse-Hinds delivers with its new **clamped EBMX explosionproof enclosures**.

The only clamped enclosure for hazardous areas.

CLAMP DOWN on safety & productivity

The challenge:

Traditional classified enclosures require a significant number of bolts designed into their covers.

Issue #1 – Time

Opening and closing traditional bolted enclosures is a labor-intensive task. Facilities that regularly inspect their enclosures as part of a preventative maintenance plan can spend thousands of dollars a year on labor.

Issue #2 – Installation errors

A traditional NEMA 7 enclosure that has been properly installed is extremely safe. However, human installation error may result in bolts being left out or not torqued properly. If internal combustion were to occur inside an incorrectly installed enclosure, a flame could escape and ignite the outside atmosphere.

The solution:

The clamped EBMX from Eaton's Crouse-Hinds. The world's only NEMA 7 classified enclosure to utilize clamping technology.

The EBMX advantage:

FASTER. A significant reduction in installation and maintenance costs due to its revolutionary design makes opening and closing the EBMX significantly faster than traditional enclosures.

SAFER. The clamps on the EBMX enclosure automatically apply even pressure across the flame path for an error-proof installation. No need to worry about missing or improperly torqued bolts creating an explosion hazard in your facility.

The EBMX enclosure is rated Class I, Divisions 1 and 2, and has a NEMA 4X rating to protect against water ingress.

Enclosure cycle time (open/close)*



Reference: Manahan, J., Zhao, Y., & Foster, M. (2015, July/August). NEMA Type 7 Hazardous-Area Enclosures. IEEE Industry Applications, 46-55.

* Multi-lead captive fastener enclosure vs. clamped enclosure

Why EBMX?

Save time and money. Reduce safety risk for personnel, maintenance costs and downtime activities.



Environmental ratings

- NEMA 3R, 4X*, 7BCD, 9EFG

Certifications and compliances

- NEC & CEC
 - Class I, Divisions 1 and 2, Groups B, C and D
 - Class II, Groups E, F and G
 - Class III
 - Class I, Zones 1 and 2
- UL Standards
 - UL1203 Explosionproof and Dust-ignition-proof Electrical Equipment for Use in Hazardous (Classified) Locations
 - UL2062 High AIC Ratings for Groups C and D
- cUL to CSA C22.2 No. 30
- UL/cUL certified for -50°C to +60°C
- SASO Certificate of Conformity

Standard materials

- Body and cover – copper-free aluminum
- Clamp – anodized copper free aluminum
- External hardware – stainless steel
- Internal parts – galvanized steel

* Enclosures with PB23, RR2 and RR3 options are rated NEMA 3R. All other options maintain NEMA 4X rating.

Extended temperature range:

- -50°C to +60°C certified enclosure temperature rating

Reduced risk:

- No missing, stripped, broken or improperly torqued bolts



Simplified alignment:

- Side operated handles for visual confirmation of proper operator alignment while cover is open

The only clamped solution



Save time and money

- Simple clamp cover design opens in seconds
- Reduces installation and maintenance costs

Error-proof installation

- All surface clamps apply even pressure across the flame path
- No chance of missing bolts

Multi-use and highly customizable

- Designed for use as starter, combo starter, disconnect switch or breaker
- 65kAIC at 480V certified enclosure rating
- Up to 6 cover operators
- Standard factory wiring included between the starter and breaker
- Thermal magnetic and electronic trip breakers
- Bi-metallic and electronic overload starters

Patented safety

- 11 patents associated with all-clamp technology


Ordering information – Breaker

Part number example

EBMX1B-W050 AIC

EBMX hazardous rated breaker, size 1 enclosure, Eaton breaker, 50A breaker trip, 65kAIC breaker

<p>EBMX</p> <p>Series</p> <table border="1" style="width: 100%; border-collapse: collapse;"> <tr> <td style="width: 20%;">EBMX</td> <td>Hazardous rated enclosure with clamping technology</td> </tr> </table> <p>Enclosure size</p> <table border="1" style="width: 100%; border-collapse: collapse;"> <tr> <td style="width: 20%;">1</td> <td>15A to 100A</td> </tr> <tr> <td>2</td> <td>125A to 200A</td> </tr> <tr> <td>3</td> <td>225A to 500A</td> </tr> </table>	EBMX	Hazardous rated enclosure with clamping technology	1	15A to 100A	2	125A to 200A	3	225A to 500A	<p>1</p> <p>B</p> <p>Breaker manufacturer</p> <table border="1" style="width: 100%; border-collapse: collapse;"> <tr> <td style="width: 20%;">W</td> <td>Eaton</td> </tr> <tr> <td>D</td> <td>Square D (up to 100A)</td> </tr> <tr> <td>G</td> <td>GE (up to 100A)</td> </tr> </table> <p>Function</p> <table border="1" style="width: 100%; border-collapse: collapse;"> <tr> <td style="width: 20%;">B</td> <td>Breaker in clamped EBMX enclosure</td> </tr> </table>	W	Eaton	D	Square D (up to 100A)	G	GE (up to 100A)	B	Breaker in clamped EBMX enclosure	<p>– W</p> <p>050</p> <p>Breaker trip*</p> <table border="1" style="width: 100%; border-collapse: collapse;"> <tr> <td style="width: 20%;">015</td> <td>15A</td> <td style="width: 20%;">125</td> <td>125A</td> </tr> <tr> <td>020</td> <td>20A</td> <td>150</td> <td>150A</td> </tr> <tr> <td>030</td> <td>30A</td> <td>175</td> <td>175A</td> </tr> <tr> <td>035</td> <td>35A</td> <td>200</td> <td>200A</td> </tr> <tr> <td>040</td> <td>40A</td> <td>225</td> <td>225A</td> </tr> <tr> <td>050</td> <td>50A</td> <td>250</td> <td>250A</td> </tr> <tr> <td>060</td> <td>60A</td> <td>300</td> <td>300A</td> </tr> <tr> <td>070</td> <td>70A</td> <td>350</td> <td>350A</td> </tr> <tr> <td>080</td> <td>80A</td> <td>400</td> <td>400A</td> </tr> <tr> <td>090</td> <td>90A</td> <td>500</td> <td>500A</td> </tr> <tr> <td>100</td> <td>100A</td> <td></td> <td></td> </tr> </table> <p><small>* 15-100A rated 600V/347 VAC maximum; 125-500A rated 600 VAC maximum.</small></p>	015	15A	125	125A	020	20A	150	150A	030	30A	175	175A	035	35A	200	200A	040	40A	225	225A	050	50A	250	250A	060	60A	300	300A	070	70A	350	350A	080	80A	400	400A	090	90A	500	500A	100	100A			<p>AIC</p> <p>Options*</p> <table border="1" style="width: 100%; border-collapse: collapse;"> <tr> <td style="width: 20%;">AIC</td> <td>65kAIC at 480V, 35kAIC at 600V</td> </tr> <tr> <td>BST</td> <td>Shunt trip, 120V</td> </tr> <tr> <td>ET**</td> <td>Electronic trip (thermal magnetic standard)</td> </tr> <tr> <td>HT</td> <td>Ambient compensated breaker; +60°C enclosure rating</td> </tr> <tr> <td>MT</td> <td>Freeze-tested breaker; -50°C enclosure rating</td> </tr> <tr> <td>R11</td> <td>Space heater, 25 watts, 120V</td> </tr> <tr> <td>R22</td> <td>Space heater, 25 watts, 240V</td> </tr> <tr> <td>R44</td> <td>Space heater, 25 watts, 480V</td> </tr> <tr> <td>RLN</td> <td>120V red LED light with "ON" legend plate</td> </tr> <tr> <td>RLN2</td> <td>240V red LED light with "ON" legend plate</td> </tr> <tr> <td>RLN4</td> <td>480V red LED light with "ON" legend plate</td> </tr> <tr> <td>S214</td> <td>External ground lug</td> </tr> <tr> <td>S752</td> <td>External epoxy coating</td> </tr> <tr> <td>S753</td> <td>Internal and external epoxy coating</td> </tr> <tr> <td>S756V</td> <td>Breather and drain, Class I, Groups B, C, D</td> </tr> <tr> <td>S784</td> <td>Auxiliary switch on circuit breaker: 1A & 1B</td> </tr> <tr> <td>S785</td> <td>Auxiliary switches on circuit breaker: 2A & 2B</td> </tr> <tr> <td>S786</td> <td>12-point terminal block, 30 amp, 300V</td> </tr> </table> <p><small>* List selected options in alphanumeric order. ** Electronic trip breakers are available in 70A or larger; 600 VAC maximum.</small></p>	AIC	65kAIC at 480V, 35kAIC at 600V	BST	Shunt trip, 120V	ET**	Electronic trip (thermal magnetic standard)	HT	Ambient compensated breaker; +60°C enclosure rating	MT	Freeze-tested breaker; -50°C enclosure rating	R11	Space heater, 25 watts, 120V	R22	Space heater, 25 watts, 240V	R44	Space heater, 25 watts, 480V	RLN	120V red LED light with "ON" legend plate	RLN2	240V red LED light with "ON" legend plate	RLN4	480V red LED light with "ON" legend plate	S214	External ground lug	S752	External epoxy coating	S753	Internal and external epoxy coating	S756V	Breather and drain, Class I, Groups B, C, D	S784	Auxiliary switch on circuit breaker: 1A & 1B	S785	Auxiliary switches on circuit breaker: 2A & 2B	S786	12-point terminal block, 30 amp, 300V
EBMX	Hazardous rated enclosure with clamping technology																																																																																																		
1	15A to 100A																																																																																																		
2	125A to 200A																																																																																																		
3	225A to 500A																																																																																																		
W	Eaton																																																																																																		
D	Square D (up to 100A)																																																																																																		
G	GE (up to 100A)																																																																																																		
B	Breaker in clamped EBMX enclosure																																																																																																		
015	15A	125	125A																																																																																																
020	20A	150	150A																																																																																																
030	30A	175	175A																																																																																																
035	35A	200	200A																																																																																																
040	40A	225	225A																																																																																																
050	50A	250	250A																																																																																																
060	60A	300	300A																																																																																																
070	70A	350	350A																																																																																																
080	80A	400	400A																																																																																																
090	90A	500	500A																																																																																																
100	100A																																																																																																		
AIC	65kAIC at 480V, 35kAIC at 600V																																																																																																		
BST	Shunt trip, 120V																																																																																																		
ET**	Electronic trip (thermal magnetic standard)																																																																																																		
HT	Ambient compensated breaker; +60°C enclosure rating																																																																																																		
MT	Freeze-tested breaker; -50°C enclosure rating																																																																																																		
R11	Space heater, 25 watts, 120V																																																																																																		
R22	Space heater, 25 watts, 240V																																																																																																		
R44	Space heater, 25 watts, 480V																																																																																																		
RLN	120V red LED light with "ON" legend plate																																																																																																		
RLN2	240V red LED light with "ON" legend plate																																																																																																		
RLN4	480V red LED light with "ON" legend plate																																																																																																		
S214	External ground lug																																																																																																		
S752	External epoxy coating																																																																																																		
S753	Internal and external epoxy coating																																																																																																		
S756V	Breather and drain, Class I, Groups B, C, D																																																																																																		
S784	Auxiliary switch on circuit breaker: 1A & 1B																																																																																																		
S785	Auxiliary switches on circuit breaker: 2A & 2B																																																																																																		
S786	12-point terminal block, 30 amp, 300V																																																																																																		



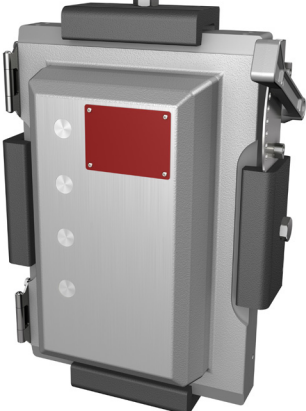
Ordering information – Disconnect switch

Part number example

EBMX1D-F030 S784

EBMX hazardous rated disconnect, size 1 enclosure, fused, 30A, auxiliary contact

<p>EBMX</p> <p>Series</p> <table border="1" style="width: 100%; border-collapse: collapse;"> <tr> <td style="width: 20%;">EBMX</td> <td>Hazardous rated enclosure with clamping technology</td> </tr> </table>	EBMX	Hazardous rated enclosure with clamping technology	<p>1</p> <p>D</p> <p>Type</p> <table border="1" style="width: 100%; border-collapse: collapse;"> <tr> <td style="width: 20%;">F*</td> <td>Fused</td> </tr> <tr> <td>N</td> <td>Non-fused</td> </tr> </table> <p><small>* Class J fuses not included.</small></p> <p>Amp rating</p> <table border="1" style="width: 100%; border-collapse: collapse;"> <tr> <td style="width: 20%;">030</td> <td>30A</td> </tr> <tr> <td>060</td> <td>60A</td> </tr> <tr> <td>100</td> <td>100A</td> </tr> <tr> <td>200*</td> <td>200A</td> </tr> </table> <p><small>* Available in fused configuration only.</small></p> <p>Function</p> <table border="1" style="width: 100%; border-collapse: collapse;"> <tr> <td style="width: 20%;">D</td> <td>Disconnect in clamped EBMX enclosure</td> </tr> </table> <p>Enclosure size</p> <table border="1" style="width: 100%; border-collapse: collapse;"> <tr> <td style="width: 20%;">1</td> <td>All non-fused; 30A, 60A fused</td> </tr> <tr> <td>2</td> <td>100A fused</td> </tr> <tr> <td>3</td> <td>200A fused</td> </tr> </table>	F*	Fused	N	Non-fused	030	30A	060	60A	100	100A	200*	200A	D	Disconnect in clamped EBMX enclosure	1	All non-fused; 30A, 60A fused	2	100A fused	3	200A fused	<p>– F</p> <p>030</p> <p>Options*</p> <table border="1" style="width: 100%; border-collapse: collapse;"> <tr> <td style="width: 20%;">HT</td> <td>+60°C enclosure rating</td> </tr> <tr> <td>MT</td> <td>-50°C enclosure rating</td> </tr> <tr> <td>R11</td> <td>Space heater, 25 watts, 120V</td> </tr> <tr> <td>R22</td> <td>Space heater, 25 watts, 240V</td> </tr> <tr> <td>R44</td> <td>Space heater, 25 watts, 480V</td> </tr> <tr> <td>RLN</td> <td>120V red LED light with "ON" legend plate</td> </tr> <tr> <td>RLN2</td> <td>240V red LED light with "ON" legend plate</td> </tr> <tr> <td>RLN4</td> <td>480V red LED light with "ON" legend plate</td> </tr> <tr> <td>S214</td> <td>External ground lug</td> </tr> <tr> <td>S752</td> <td>External epoxy coating</td> </tr> <tr> <td>S753</td> <td>Internal and external epoxy coating</td> </tr> <tr> <td>S756V</td> <td>Breather and drain, Class I, Groups B, C, D</td> </tr> <tr> <td>S784</td> <td>Auxiliary contact on switch: (1) NO & (1) NC</td> </tr> <tr> <td>S785</td> <td>Auxiliary contacts on switch: (2) NO & (2) NC</td> </tr> <tr> <td>S786</td> <td>12-point terminal block, 30 amp, 300V</td> </tr> </table> <p><small>* List selected options in alphanumeric order.</small></p>	HT	+60°C enclosure rating	MT	-50°C enclosure rating	R11	Space heater, 25 watts, 120V	R22	Space heater, 25 watts, 240V	R44	Space heater, 25 watts, 480V	RLN	120V red LED light with "ON" legend plate	RLN2	240V red LED light with "ON" legend plate	RLN4	480V red LED light with "ON" legend plate	S214	External ground lug	S752	External epoxy coating	S753	Internal and external epoxy coating	S756V	Breather and drain, Class I, Groups B, C, D	S784	Auxiliary contact on switch: (1) NO & (1) NC	S785	Auxiliary contacts on switch: (2) NO & (2) NC	S786	12-point terminal block, 30 amp, 300V	<p>S784</p>
EBMX	Hazardous rated enclosure with clamping technology																																																						
F*	Fused																																																						
N	Non-fused																																																						
030	30A																																																						
060	60A																																																						
100	100A																																																						
200*	200A																																																						
D	Disconnect in clamped EBMX enclosure																																																						
1	All non-fused; 30A, 60A fused																																																						
2	100A fused																																																						
3	200A fused																																																						
HT	+60°C enclosure rating																																																						
MT	-50°C enclosure rating																																																						
R11	Space heater, 25 watts, 120V																																																						
R22	Space heater, 25 watts, 240V																																																						
R44	Space heater, 25 watts, 480V																																																						
RLN	120V red LED light with "ON" legend plate																																																						
RLN2	240V red LED light with "ON" legend plate																																																						
RLN4	480V red LED light with "ON" legend plate																																																						
S214	External ground lug																																																						
S752	External epoxy coating																																																						
S753	Internal and external epoxy coating																																																						
S756V	Breather and drain, Class I, Groups B, C, D																																																						
S784	Auxiliary contact on switch: (1) NO & (1) NC																																																						
S785	Auxiliary contacts on switch: (2) NO & (2) NC																																																						
S786	12-point terminal block, 30 amp, 300V																																																						



Ordering information – Motor starter

Part number example

EBMX1S-F1W4BRLNS781

EBMX hazardous rated motor starter, size 1 enclosure, Eaton full voltage, non-reversing starter with CPT, starter size 1, 480V, red LED pilot light, auxiliary contact

EBMX 1 S - F 1 W 4 B RLN S781

Series	Enclosure size	Function	Starter function	NEMA starter size	Starter manufacturer	Line voltage	Cover operator*
EBMX	1	S	F	1	W	4	RLN
Hazardous rated enclosure with clamping technology	NEMA size 0-2	Starter in clamped EBMX enclosure	Full voltage, non-reversing starter, 120V coil, with CPT	0	Eaton	120 VAC	Green LED pilot light with blank legend plate
	NEMA size 3		Full voltage, non-reversing starter*, without CPT	1		240 VAC	Green LED light with "OFF" legend plate
	NEMA size 4			2		480 VAC	Start/stop pushbutton with "START" & "STOP" legend plates (two positions)
				3		600 VAC	Red LED light with "ON" legend plate
				4			Red LED pilot light with blank legend plate
							2 position selector switch with "ON -OFF" legend plate
							3 position selector switch with "HAND OFF AUTO" legend plate
							No cover operators

* Starter coil equals line voltage.

* List selected operators in order starting with the top position.



FLA	FLA range	NEMA size		
		0,1	2	3,4
Blank	0.0 - 0.0	•	•	•
A	0.8 - 1.3	•	•	
B	1.2 - 2.0	•	•	
C	1.8 - 2.9	•	•	
D	2.2 - 3.5	•	•	
E	3.2 - 5.2	•	•	
F	4.6 - 7.4	•	•	
G	6.8 - 11.0	•	•	
H	9.1 - 14.0	•	•	
J	14.0 - 22.8	•	•	
L	23.5 - 38.5	•	•	
M	39.6 - 57.4		•	
N	53.9 - 74.9		•	
P	8.0 - 11.5			•
Q	11.4 - 15.7			•
R	14.3 - 19.0			•
S	18.0 - 24.5			•
T	24.6 - 33.4			•
V	33.5 - 45.6			•
W	45.7 - 62.1			•
X	62.2 - 84.6			•
Y	84.7 - 115.0			•
Z	106.0 - 144.0			•

Options*

ER**	Electronic overload relay
HT	+60°C enclosure rating
MT	-50°C enclosure rating
R11	Space heater, 25 watts, 120V
R22	Space heater, 25 watts, 240V
R44	Space heater, 25 watts, 480V
S214	External ground lug
S752	External epoxy coating
S753	Internal and external epoxy coating
S756V	Breather and drain, Class I, Groups B, C, D
S781	Auxiliary contact on starter: (1) NO & (1) NC
S782	Auxiliary contacts on starter: (2) NO & (2) NC
S783	Auxiliary contacts on starter: (3) NO & (3) NC
S786	12-point terminal block, 30 amp, 300V

* List selected options in alphanumeric order.

** Consult factory for electronic overload FLA ranges.



Ordering information – Combo starter

Part number example

EBMX2C-F2W4B-100RLNAIC

EBMX hazardous rated combo starter, size 2 enclosure, Eaton full voltage, non-reversing starter with CPT, starter size 2, red LED, 480V, 65kAIC

EBMX 2 C - F 2 W 4 B - 100 RLNAIC

Series

EBMX	Hazardous rated enclosure with clamping technology
-------------	--

Enclosure size

2	NEMA size 0-2
3	NEMA size 3 & 4

Function

C	Combo starter in clamped EBMX enclosure
----------	---

Combo starter function

F	Full voltage, non-reversing starter, 120V coil, breaker, with CPT
G	Full voltage, non-reversing starter*, breaker, without CPT
H	Full voltage, non-reversing starter, 120V coil, HMCP, with CPT
K	Full voltage, non-reversing starter*, HMCP, without CPT

* Starter coil equals line voltage.

Line voltage

1	120 VAC
2	240 VAC
4	480 VAC
6	600 VAC

Starter manufacturer

W	Eaton
----------	-------

NEMA starter size

0
1
2
3
4

Breaker trip* (only with "F" or "G" as combo starter function)

015	050	125
020	070	150
030	090	175
040	100	200

HMCP trip* (only with "H" or "K" as combo starter function)

003	030	100
007	050	250
015	070	

* 15-125A rated 600Y/347 VAC maximum; 150-250A rated 600 VAC maximum.

Cover operators*

GLB	Green LED pilot light with blank legend plate
GLF	Green LED light with "OFF" legend plate
PB23	Start/stop pushbutton with "START" & "STOP" legend plates (two positions)
RLB	Red LED pilot light with blank legend plate
RLN	Red LED light with "ON" legend plate
RR2	2 position selector switch with "ON-OFF" legend plate
RR3	3 position selector switch with "HAND OFF AUTO" legend plate
blank	No cover operators

* List selected operators in order starting with the top position.

FLA

	FLA range	NEMA size		
		0,1	2	3,4
Blank	0.0 - 0.0	•	•	•
A	0.8 - 1.3	•	•	
B	1.2 - 2.0	•	•	
C	1.8 - 2.9	•	•	
D	2.2 - 3.5	•	•	
E	3.2 - 5.2	•	•	
F	4.6 - 7.4	•	•	
G	6.8 - 11.0	•	•	
H	9.1 - 14.0	•	•	
J	14.0 - 22.8	•	•	
L	23.5 - 38.5	•	•	
M	39.6 - 57.4		•	
N	53.9 - 74.9		•	
P	8.0 - 11.5			•
Q	11.4 - 15.7			•
R	14.3 - 19.0			•
S	18.0 - 24.5			•
T	24.6 - 33.4			•
V	33.5 - 45.6			•
W	45.7 - 62.1			•
X	62.2 - 84.6			•
Y	84.7 - 115.0			•
Z	106.0 - 144.0			•

Options*

AIC	65kAIC at 480V, 35kAIC at 600V
BST	Shunt trip, 120V
ER**	Electronic overload relay (starter)
ET***	Electronic trip breaker (thermal magnetic standard)
HT	Ambient compensated breaker; +60°C enclosure rating
MT	Freeze-tested breaker; -50°C enclosure rating
R11	Space heater, 25 watts, 120V
R22	Space heater, 25 watts, 240V
R44	Space heater, 25 watts, 480V
S214	External ground lug
S752	External epoxy coating
S753	Internal and external epoxy coating
S756V	Breather and drain, Class I, Groups B, C, D
S781	Auxiliary contact on starter: (1) NO & (1) NC
S782	Auxiliary contacts on starter: (2) NO & (2) NC
S783	Auxiliary contacts on starter: (3) NO & (3) NC
S784	Auxiliary switch on circuit breaker: 1A & 1B
S785	Auxiliary switches on circuit breaker: 2A & 2B
S786	12-point terminal block, 30 amp, 300V

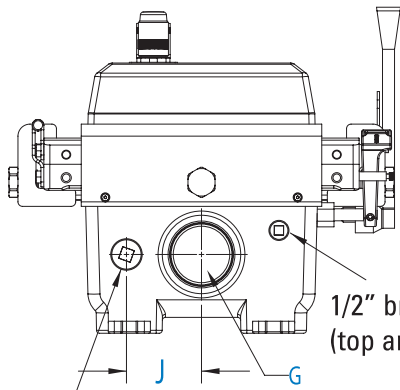
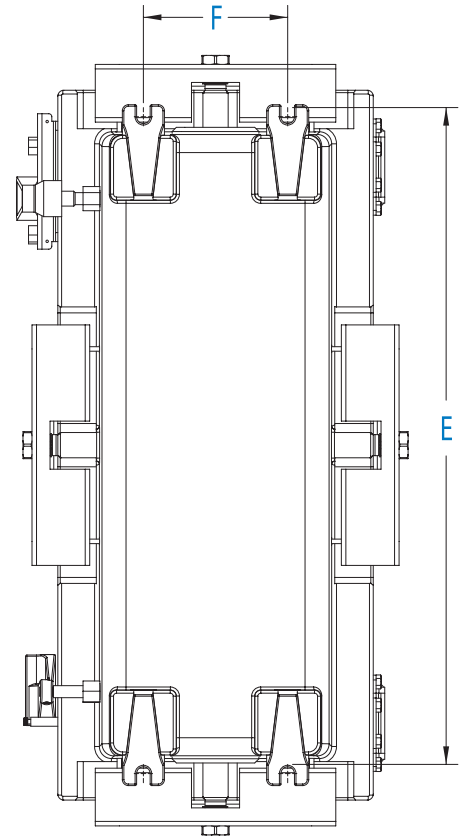
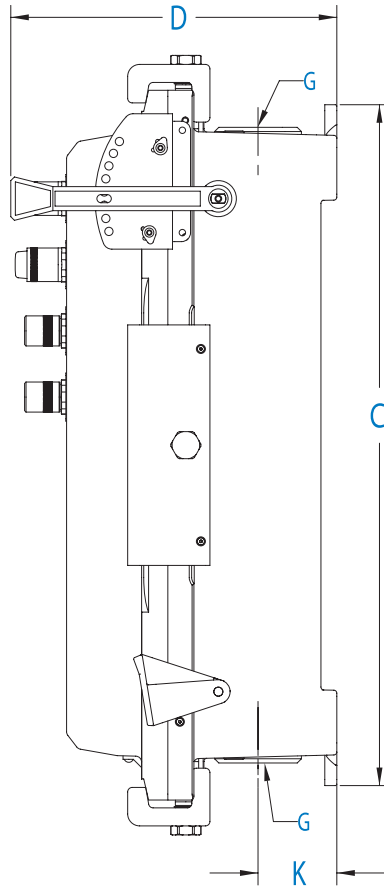
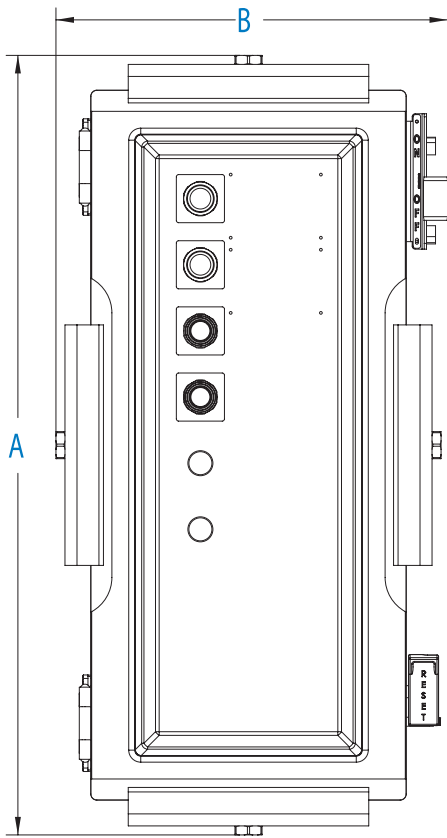
* List selected options in alphanumeric order.

** Consult factory for electronic overload FLA ranges.

*** Electronic trip breakers available in 70A and larger; 600 VAC maximum.



Dimensions (inches)



1" control conduit
(top and bottom)

1/2" breather/drain
(top and bottom)

Enclosure size	A	B	C	D	E	F	G		J	K
							drilled & tapped	w/ reducer		
1	22.11	15.98	18.04	12.86	17.13	6.00	2 NPT	1.5 NPT	3.12	3.01
2	32.40	16.28	28.31	13.56	27.25	6.00	3 NPT	2.5 NPT	3.12	3.28
3	42.28	17.93	38.15	13.85	37.25	6.00	3 NPT	2.5 NPT	3.93	3.56

**U.S. (global headquarters):
Eaton's Crouse-Hinds business**

1201 Wolf Street
Syracuse, NY 13208

(866) 764-5454
FAX: (315) 477-5179
FAX Orders Only:
(866) 653-0640

crousecustomerctr@eaton.com

For more information:

If further assistance is required, please contact an authorized Eaton Distributor, Sales Office, or Customer Service Department.

Canada

Toll Free: 800-265-0502
FAX: (800) 263-9504
FAX Orders only: (866) 653-0645

Mexico/Latin America/Caribbean

52-555-804-4000
FAX: 52-555-804-4020
ventascentromex@eaton.com

Europe (Germany)

49 (0) 6271 806-500
49 (0) 6271 806-476
sales.CCH.de@cooperindustries.com

Eaton Middle East

9714-8066100
FAX: 9714-8894813
chmesales@eaton.com

Singapore

65-6645-9888
FAX: 65-6297-4819
chsi-sales@cooperindustries.com

China

86-21-2899-3600
FAX: 86-21-2899-4055
cchsales@cooperindustries.com

Korea

82-2-3484-6783
82-2-3484-6778
CCHK-sales@cooperindustries.com

Australia

61-2-8787-2777
FAX: 61-2-9609-2342
CEASales@cooperindustries.com

India

91-124-4683888
FAX: 91-124-4683899
cchindia@eaton.com

Eaton
1000 Eaton Boulevard
Cleveland, OH 44122
United States
Eaton.com

© 2023 Eaton
All Rights Reserved
Printed in USA
Publication No. 5270-0123
January 2023

Eaton is a registered trademark.
All other trademarks are property of their respective owners.