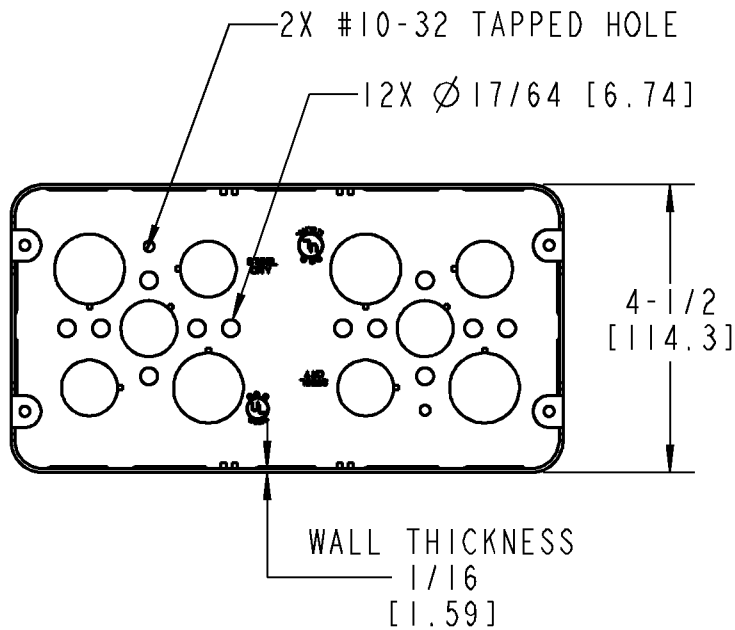


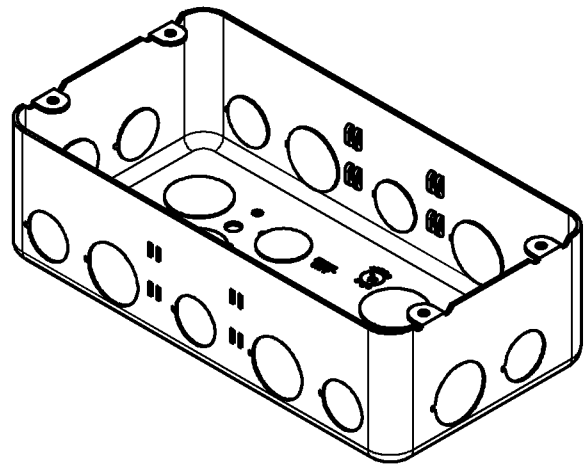
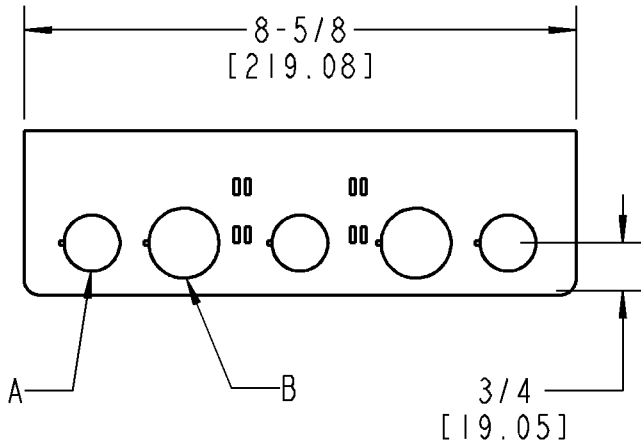


Thomas & Betts



3/4 [19.05]

2-1/2 [63.5]



CAT. NO. H3BD 1/2 3/4

90.0 CU. IN.
[1474.8 CU. CM]

KNOCKOUTS

CALLOUT	SIZE	SIDES	ENDS	BOTTOM	TOTAL
A	1/2	6	2	6	14
B	3/4	4	2	4	10

GENERAL NOTES

- ALL DIMENSIONS ARE FOR REFERENCE ONLY.
- DIMENSIONS IN BRACKETS [] ARE IN METRIC UNITS.

REVISIONS

- | | |
|---|--|
| 0 | SEE ERN (****) FOR APPROVAL SIGNATURES & RELEASE DATE.
PROJECT NO: **** |
|---|--|

www.tnb.com

Thomas & Betts

A Member of the ABB Group

DESCRIPTION:

**H3BD 3/4 1, H3BD 1/2 3/4
GANG BOX**

ORIGINAL PROJECT NO / (ERN NO)

NM400367 / (201599)

SHEET NO:

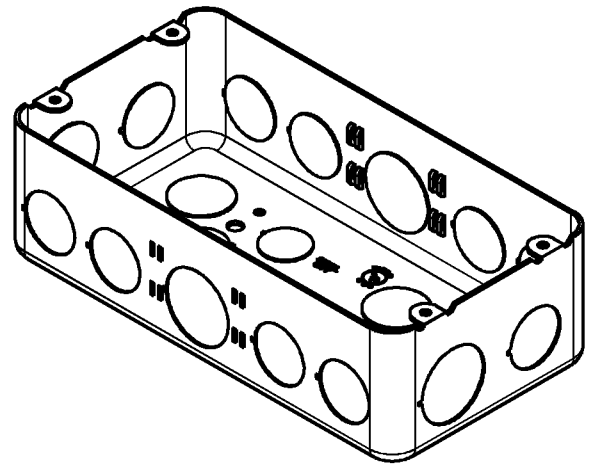
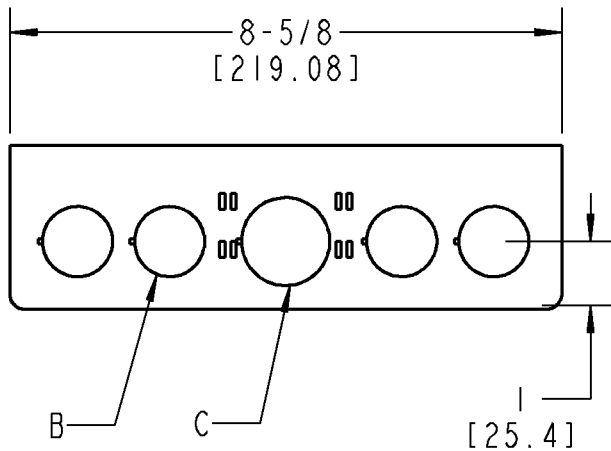
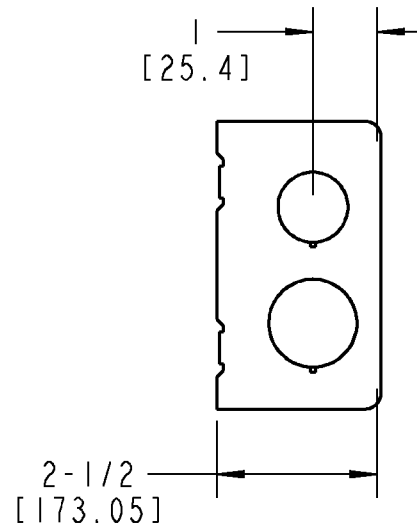
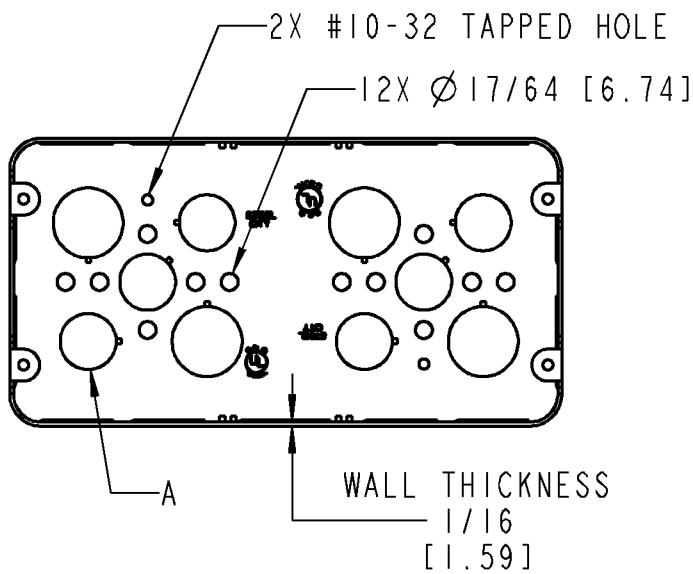
1 OF 2

REV. NO:

0

DRAWING NO:

WSD-001283



CAT. NO. H3BD 3/4 1

90.0 CU. IN.
[1474.8 CU. CM]

KNOCKOUTS					
CALLOUT	SIZE	SIDES	ENDS	BOTTOM	TOTAL
A	1/2	-	-	6	6
B	3/4	8	2	4	14
C	1	2	2	-	4

Thomas & Betts
A Member of the ABB Group

www.tnb.com

DESCRIPTION: **H3BD 3/4 1, H3BD 1/2 3/4
GANG BOX**

SHEET NO: 2 OF 2	REV. NO: 0	DRAWING NO: WSD-001283
---------------------	---------------	----------------------------------