



HALO[®]

MicroEdge[™]
HLB Lite

HALO® HLB Lite

installs virtually anywhere

The HLB Lite installs into a standard hole saw size cutout and is retained securely in place with springs.

The driver junction box installs through a cutout and can be positioned remotely from the fixture fitting. Mounting holes facilitate attachment to the building structure.



The SeleCCTable™ technology puts flexibility at your fingertips. The HLB Lite series has three selectable color temperature options.

- 2700K, 3000K, 3500K
- 3000K, 4000K, 5000K
- 4000K, 5000K, 6000K

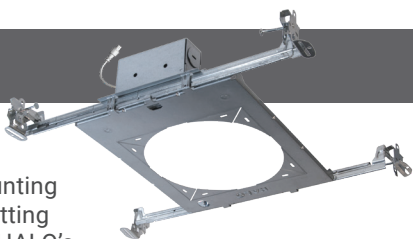
By using the switch located inside the driver junction box, the user can choose from a range of three color temperatures.



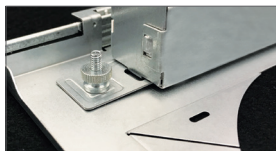


New Construction Mounting Frame

The new construction mounting frame locates the fixture fitting during electrical rough-in. HALO's patented Got Nail!® bar hangers are pre-installed supporting the mounting frame along rails.



During electrical rough-in, the driver / junction box attaches to the mounting frame with captive fasteners meeting code requirements for attachment to the building structure.

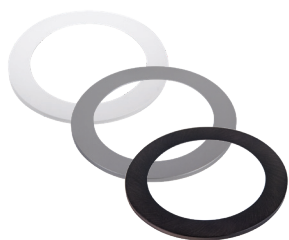


HL4RSMF = 4" round and square mounting frame

HL6RSMF = 6" round and square mounting frame

Accessories

Decorative Overlay



4" Round

HLB4RTRMMW = matte white

HLB4RTRMSN = satin nickel

HLB4RTRMTBZ = tuscan bronze

6" Round

HLB6RTRMMW = matte white

HLB6RTRMSN = satin nickel

HLB6RTRMTBZ = tuscan bronze

Oversized Trim Plate



4" Round

HLB4ROTMW = 4" round oversized trim

6" Round

HLB6ROTMW = 6" round oversized trim

Extension cables



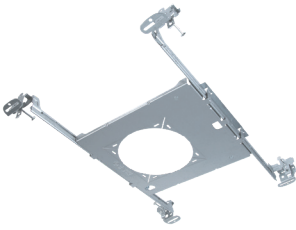
SeleCCTable driver / junction box

HLB06FSEC = 6 ft. extension cable

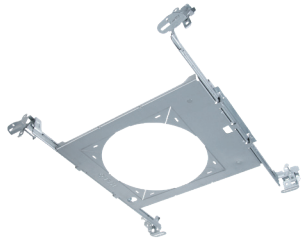
HLB12FSEC = 12 ft. extension cable

HLB20FSEC = 20 ft. extension cable

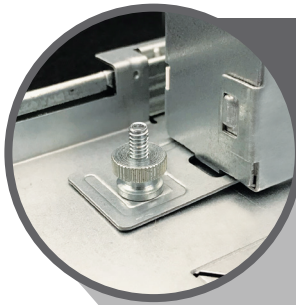
Mounting Frames



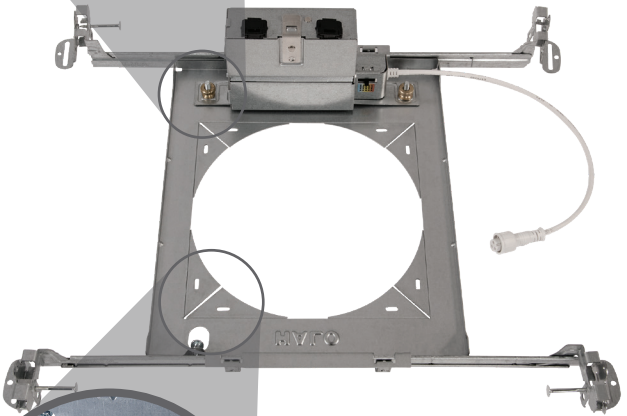
HL4RSMF = 4" round and square mounting frame



HL6RSMF = 6" round and square mounting frame



During electrical rough-in, the HLB driver / junction box attaches to the mounting frame with captive fasteners meeting code requirements for attachment to the building structure.



Rounded corners break away to allow installation of square fixtures.

HLBSL4



- Up to 800 lumens
- Use to replace 60W A19 incandescent lamp
- Three selectable color options
 - 2700K, 3000K, 3500K
 - 3000K, 4000K, 5000K
 - 4000K, 5000K, 6000K
- 90 CRI
- 12W, 120V
- L70 @ 35,000 hrs
- HALO matte white finish
- No existing recessed housing or junction box required
- Fixture will not fit into existing housings or junction boxes
- Wet location listed (shower rated) covered ceiling
- Rated for direct contact to air permeable insulation
- AIR-TITE™ certified per ASTM-E283
- Five-year limited warranty



Refer to ENERGY STAR® Certified Products List. Can be used to comply with California Title 24 High Efficacy requirements. Certified to California Appliance Efficiency Database under JA8.



Ordering Information

SAMPLE NUMBER: HLBSL4069FS351EMWR

Models	Lumens	CRI / CCT
HLBSL4 = 4-Inch LED smooth lens downlight with plastic housing and remote driver/junction box	06 = 650 lumen (nominal)	9FS23 = 90 CRI minimum, field selectable 2700K, 3000K, 3500K CCT 9FS35 = 90 CRI minimum, field selectable 3000K, 4000K, 5000K CCT 9FS46 = 90 CRI minimum, field selectable 4000K, 5000K, 6000K CCT
Driver	Finish	Packaging
1E = 120V 60Hz, LE & TE phase cut 10% dimming	MW = matte white flange	R = recyclable 4-color unit carton suitable for point of purchase merchandizing display

Accessories

Oversized Trim Ring

HLB4ROTMW = 4" round oversized trim, matte white

Decorative Trim Ring

HLB4RTRMMW = 4" round decorative overlay, matte white

HLB4RTRMSN = 4" round decorative overlay, satin nickel

HLB4RTRMTBZ = 4" round decorative overlay, tuscan bronze

Mounting Frame

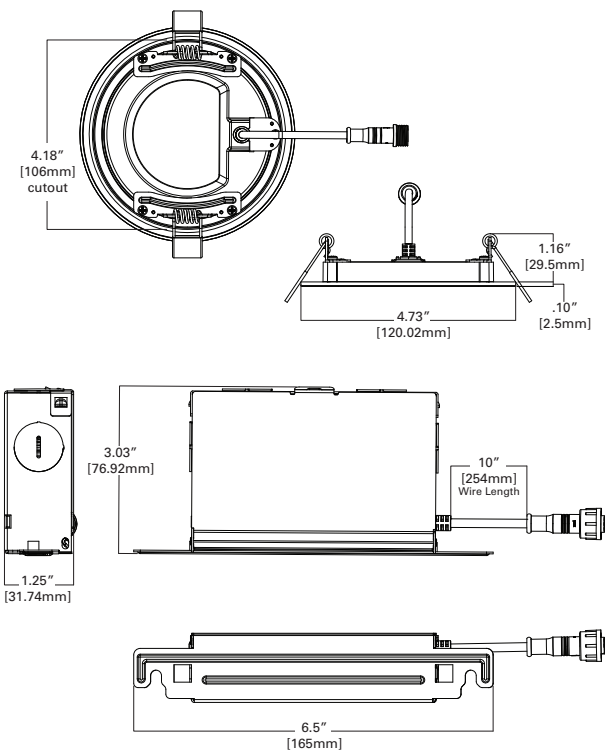
HL4RSMF = 4" round and square mounting frame

Extension Cable | SeleCCTable Driver/Jbox

HLB06FSEC = 6 ft. extension cable

HLB12FSEC = 12 ft. extension cable

HLB20FSEC = 20 ft. extension cable



Energy Data

	CCT	Lumens	Power (W)	LPW
HLBSL4069FS231EMW	2700K	703	10	70.3
	3000K	753	10	75.3
	3500K	726	10	72.6
HLBSL4069FS351EMW	3000K	716	10.1	70.9
	4000K	778	10	77.8
	5000K	768	10.2	75.3
HLBSL4069FS461EMW	4000K	761	9.9	76.9
	5000K	793	9.9	80.1
	6000K	771	9.9	77.9

HLBSL6



- Up to 1,049 lumens
- Use to replace 60W A19 incandescent lamp
- Three selectable color options
 - 2700K, 3000K, 3500K
 - 3000K, 4000K, 5000K
 - 4000K, 5000K, 6000K
- 90 CRI
- 12W, 120V
- L70 @ 35,000 hrs
- HALO matte white finish
- No existing recessed housing or junction box required
- Fixture will not fit into existing housings or junction boxes
- Wet location listed (shower rated) covered ceiling
- Rated for direct contact to air permeable insulation
- AIR-TITE™ certified per ASTM-E283
- Five-year limited warranty



Refer to ENERGY STAR® Certified Products List. Can be used to comply with California Title 24 High Efficacy requirements. Certified to California Appliance Efficiency Database under JA8.



Ordering Information

SAMPLE NUMBER: HLBSL6099FS351EMWR

Models	Lumens	CRI / CCT
HLBSL6 = 6-Inch LED smooth lens downlight with plastic housing and remote driver/junction box	09 = 900 lumen (nominal)	9FS23 = 90 CRI minimum, field selectable 2700K, 3000K, 3500K CCT 9FS35 = 90 CRI minimum, field selectable 3000K, 4000K, 5000K CCT 9FS46 = 90 CRI minimum, field selectable 4000K, 5000K, 6000K CCT
Driver	Finish	Packaging
1E = 120V 60Hz, LE & TE phase cut 10% dimming	MW = matte white flange	R = recyclable 4-color unit carton suitable for point of purchase merchandizing display

Accessories

Oversized Trim Ring

HLB6ROTMW = 6" round oversized trim, matte white

Decorative Trim Ring

HLB6RTRMMW = 6" round decorative overlay, matte white

HLB6RTRMSN = 6" round decorative overlay, satin nickel

HLB6RTRMTBZ = 6" round decorative overlay, tuscan bronze

Mounting Frame

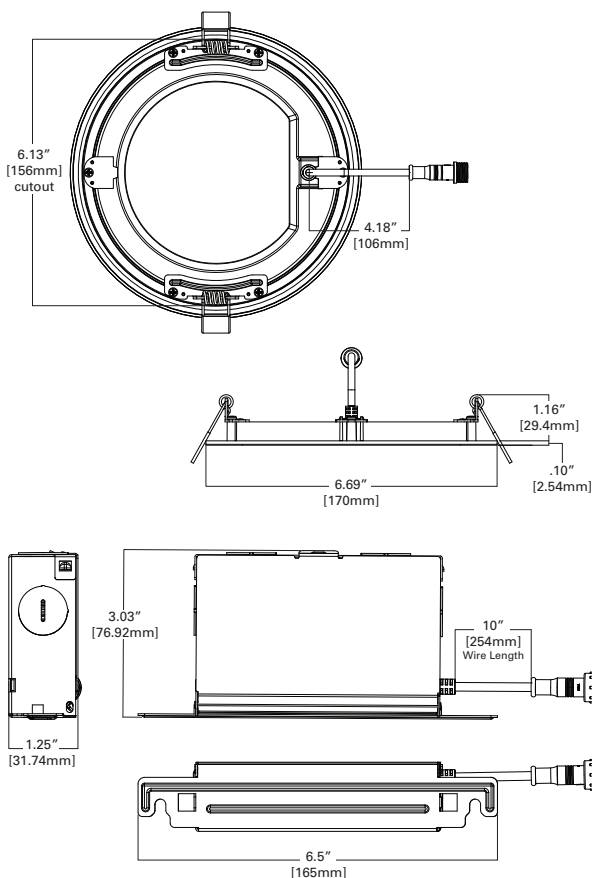
HL6RSMF = 6" round and square mounting frame

Extension Cable | SeleCCTable Driver/Jbox

HLB06FSEC = 6 ft. extension cable

HLB12FSEC = 12 ft. extension cable

HLB20FSEC = 20 ft. extension cable

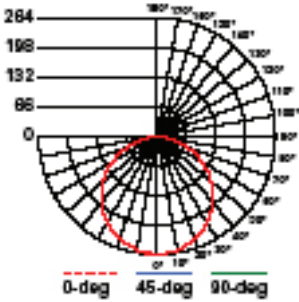


Energy Data

	CCT	Lumens	Power (W)	LPW
HLBSL6099FS231EMW	2700K	940	12.6	74.6
	3000K	1018	12.5	81.4
	3500K	1005	12.5	80.4
HLBSL6099FS351EMW	3000K	866	12.9	67.1
	4000K	954	12.7	75.1
	5000K	957	12.9	74.2
HLBSL6099FS461EMW	4000K	991	12.5	79.3
	5000K	1049	12.3	85.3
	6000K	1015	12.5	81.2

Product and Photometric Data

HLBSL4069FS351EMWR



Spacing criterion: (0-180) 1.26
(90-270) 1.26
(Diagonal) 1.38

Beam Angle: 112.7°
Field Angle: 161.5°
Lumens: 716
Input Watts: 10.1 W
Efficacy: 70.89 LPW
Test Report:
HLBSL4069FS351EMWR.ies

Zonal Lumen	Lumens	% Lumens
0-30	194.0	27.1
0-40	318.6	44.5
0-60	564.9	78.9
0-90	716.0	100



COLOR METRIC SUMMARY

HLBSL4069FS231EMWR

	2700K	3000K	3500K
TM-30-15	Rf = 93.0	Rf = 90.0	Rf = 89.0
	Rg = 98.0	Rg = 96.0	Rg = 95.0
CRI/CIE	Ra = 93.0	Ra = 92.8	Ra = 92.5
	R9 = 54.1	R9 = 61.6	R9 = 61.5

HLBSL4069FS351EMWR

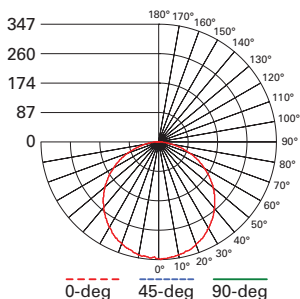
	3000K	4000K	5000K
TM-30-15	Rf = 92.0	Rf = 93.0	Rf = 93.0
	Rg = 97.0	Rg = 99.0	Rg = 100.0
CRI/CIE	Ra = 93.3	Ra = 96.3	Ra = 95.3
	R9 = 57.5	R9 = 75.8	R9 = 77.4

HLBSL4069FS461EMWR

	4000K	5000K	6000K
TM-30-15	Rf = 88.0	Rf = 89.0	Rf = 89.0
	Rg = 96.0	Rg = 97.0	Rg = 96.0
CRI/CIE	Ra = 93.9	Ra = 93.7	Ra = 93.4
	R9 = 75.6	R9 = 82.9	R9 = 76.3

*Additional photometric ies files available online.

HLBSL6099FS351EMWR



Spacing criterion: (0-180) 1.28
(90-270) 1.24
(Diagonal) 1.38

Beam Angle: 112.9°
Field Angle: 161.5°
Lumens: 866
Input Watts: 12.9 W
Efficacy: 67.13 LPW
Test Report:
HLBSL6099FS351EMWR.ies

Zonal Lumen	Lumens	% Lumens
0-30	233.8	27
0-40	383.6	44.3
0-60	682.4	78.8
0-90	866.0	100



COLOR METRIC SUMMARY

HLBSL6099FS231EMW

	2700K	3000K	3500K
TM-30-15	Rf = 91.0	Rf = 91.0	Rf = 91.0
	Rg = 98.0	Rg = 99.0	Rg = 99.0
CRI/CIE	Ra = 93.1	Ra = 94.2	Ra = 93.6
	R9 = 60.1	R9 = 68.7	R9 = 69.3

HLBSL6099FS351EMW

	3000K	4000K	5000K
TM-30-15	Rf = 92.0	Rf = 90.0	Rf = 90.0
	Rg = 99.0	Rg = 98.0	Rg = 97.0
CRI/CIE	Ra = 94.4	Ra = 95.6	Ra = 94.4
	R9 = 72.4	R9 = 86.1	R9 = 80.6

HLBSL6099FS461EMW

	4000K	5000K	6000K
TM-30-15	Rf = 91.0	Rf = 91.0	Rf = 91.0
	Rg = 98.0	Rg = 99.0	Rg = 99.0
CRI/CIE	Ra = 94.0	Ra = 94.9	Ra = 95.1
	R9 = 78.1	R9 = 84.9	R9 = 84.4

*Additional photometric ies files available online.

Cooper Lighting Solutions

1121 Highway 74 South
Peachtree City, GA 30269
P: 770-486-4800
www.cooperlighting.com

Canada Sales
5925 McLaughlin Road
Mississauga, Ontario L5R 1B8
P: 905-501-3000
F: 905-501-3172

Lighting Brands

Ametrix
AtLite
Corelite
Ephesus
Fail-Safe
HALO
HALO Commercial
Invue
iO
Iris
Lumark
Lumière
McGraw-Edison
Metalux
MWS
Neo-Ray
Portfolio
PrentaLux - 3D Printed
Lighting
RSA
Shaper
Streetworks
Sure-Lites
Telensa

Controls Brands

Greengate
Fifth Light
Intelligent Lighting Controls

Connected Lighting Systems and Smart Spaces Platform

WaveLinx

© 2023 Cooper Lighting Solutions
All Rights Reserved
Printed in USA
Publication No. BR518076EN
April 2023

Products, specifications and
compliances are subject to
change without notice.

Cooper Lighting Solutions is a reg-
istered trademark.
All other trademarks are property
of their respective owners.

