



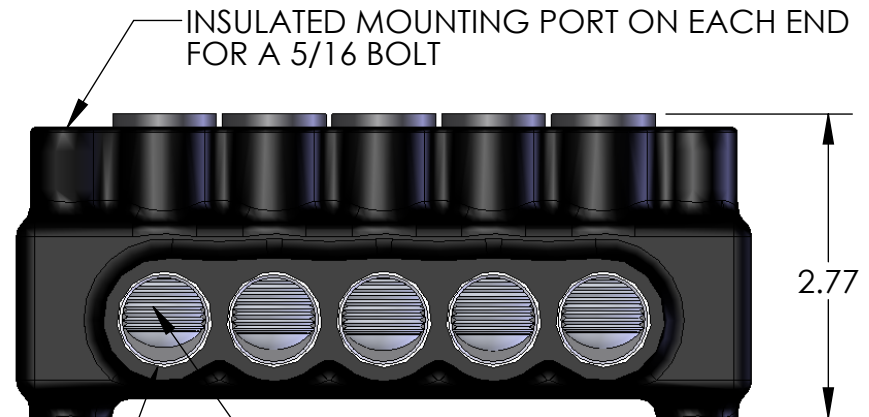
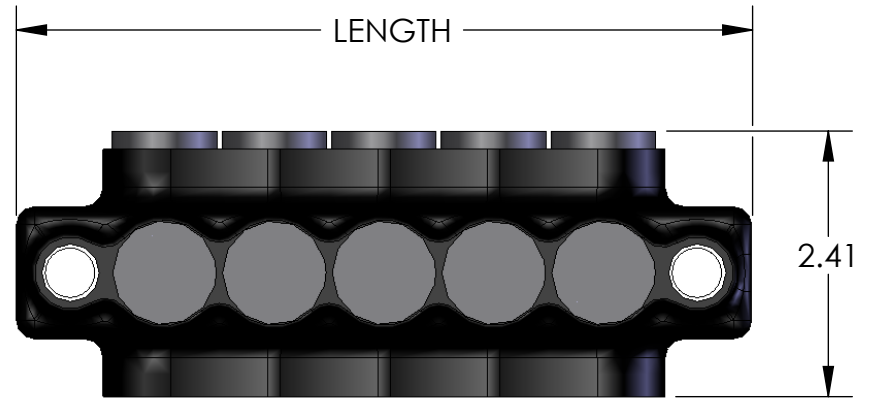
REMOVABLE CAP
TO TIGHTEN SCREW
(REPLACE WHEN COMPLETE)

REMOVABLE CAP
FOR DUAL ENTRY
(INSERT IN OTHER SIDE)

IPLMD350-5 SHOWN

PART NUMBER	NO. OF PORTS	LENGTH
IPLMD350-3	3	5.12
IPLMD350-4	4	6.17
IPLMD350-5	5	7.22
IPLMD350-6	6	8.27
IPLMD350-7	7	9.32
IPLMD350-8	8	10.37
IPLMD350-10	10	12.47
IPLMD350-12	12	14.57

WIRE ENTRY POINT
WIRE RANGE: 350KCMIL - #6AWG
PRE-FILLED W/ OXIDE INHIBITOR



5/16 INTERNAL HEX PRESSURE SCREW

CONTACT NSI FOR SALES @ 800.321.5847



POLARIS
SALES . CO . INC

PROPRIETARY AND CONFIDENTIAL

11625 PROSPEROUS DRIVE ODESSA, FL 33556

THE INFORMATION CONTAINED IN THIS DRAWING IS THE SOLE PROPERTY OF POLARIS SALES CO. INC. ANY REPRODUCTION IN PART OR AS A WHOLE WITHOUT THE WRITTEN PERMISSION OF POLARIS SALES CO. INC. IS PROHIBITED.

TITLE:
INSULATED MOUNTED
DUAL ENTRY
350 CONNECTOR

NAME DATE
DRAWN BY S.PARRY 06/2012

DWG. NO.
IPLMD350-

MATERIAL: N/A

SCALE: N/A

SHEET: 1 OF 1

NOTES:

- CONNECTOR MANUFACTURED FROM 6061-T6 ALUMINUM ALLOY.
- UL LISTED PER UL486A/B SPECIFICATIONS FOR 600V.
- DUAL RATED FOR 90°C COPPER AND/OR ALUMINUM CONDUCTOR.
- COLD TEMPERATURE RATED TO -45°C.
- HIGH DIELECTRIC STRENGTH INSULATION IS ABRASION, CHEMICAL AND UV RESISTANT.