



SignPRO

SIGNPRO MAG ELE SIGN BAL (4-6) T12HO 8-48FT 120-277V

Philips Advance signPRO line...a brand synonymous with full-line, high-quality sign ballasts offered exclusively to the sign industry to support the market's broad range of sign applications, now adds: ...four new energy-efficient signPRO Electronic Fluorescent Sign Ballasts for T8/HO and T12/HO High Output (800mA) Lamps. Philips Advance signPRO line...a brand synonymous with full-line, high-quality sign ballasts offered exclusively to the sign industry to support the market's broad range of sign applications, now adds: ...four new energy-efficient signPRO Electronic Fluorescent Sign Ballasts for T8/HO and T12/HO High Output (800mA) Lamps.

Product data

| General Information | |
|-------------------------------|------------------------|
| Lamp Type | T12/HO |
| Number of Lamps | 4-6 piece/unit |
| Lamp Footage | 8 - 48 FT |
| Ballast Type | Electronic Fluorescent |
| Base Model | ISB084846EI |
| Suitable For Outdoor Use | Yes |
| Automatic Restart | Yes |
| Operating and Electrical | |
| Input Voltage | 120 to 277 V |
| Input Frequency | 50 to 60 Hz |
| Total Harmonic Distortion USA | 10 % |
| Ignition Method | Instant Start |
| Crestfactor (Nom) | 1.7 |
| Ignition Time (Nom) | 0.1 s |
| Ballast Factor (Nom) | 0.60 |
| Power Factor (Nom) | 0.98 |

| | |
|---------------------|-----------|
| Input Current (Nom) | 3.40 A |
| Input Power (Nom) | 390-384 W |
| Rated Lamp Power | 110 W |

| Wiring | |
|--|----------------|
| Wire Striplength | 0.50/0.375 mm |
| Lamp Connection | Parallel |
| Wire Length by Color | See data sheet |
| Wire Gauge (Nom) | 18AWG mm |
| Wire Type | Solid |
| Remote Wiring Configuration Allowed | No |
| Tandem Wiring Configuration Allowed | No |
| Through Wiring Configuration Allowed | Yes |
| Max Ballast-Lamp Distance Remote Wiring | No Remote |
| Max Ballast-Lamp Distance Tandem Wiring | No Tandem |
| Max Ballast-Lamp Distance Through Wiring | Any = 20' |

Mechanical and Housing

| | |
|--------------------|------------------------|
| Housing Material | Metal |
| Housing | BL2 |
| Housing Dimensions | 14.31" x 3.19" x 2.63" |

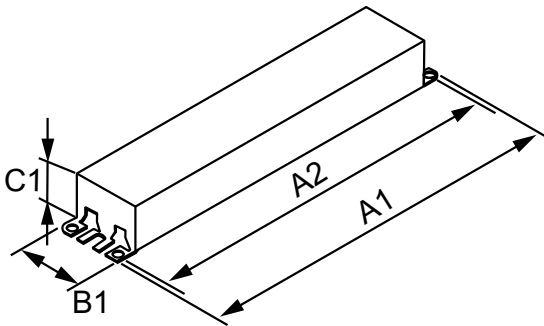
Approval and Application

| | |
|-----------------------|--|
| EMC Immunity Standard | FCC Non-Consumer |
| Approval Marks | CSA certificate UL certificate RoHS Compliant |
| Hum And Noise Level | A |
| UL Recognized | No |

Product Data

| | |
|---------------------------------|---|
| Order product name | SIGNPRO MAG ELE SIGN BAL (4-6) T12HO 8-48FT 120-277V |
| EAN/UPC - Product | 781087135792 |
| Order code | 913701262401 |
| Numerator - Quantity Per Pack | 1 |
| Numerator - Packs per outer box | 1 |
| Material Nr. (12NC) | 913701262401 |
| Net Weight (Piece) | 6.337 kg |

Dimensional drawing



ELE SIGN BAL (4-6) T12HO 8-48FT 120-277V

| Product | A1 | A2 | B1 | C1 |
|---|----------|----------|---------|---------|
| SIGNPRO MAG ELE SIGN BAL (4-6) T12HO 8-48FT 120-277V | 14.31 in | 13.75 in | 3.19 in | 2.63 in |

