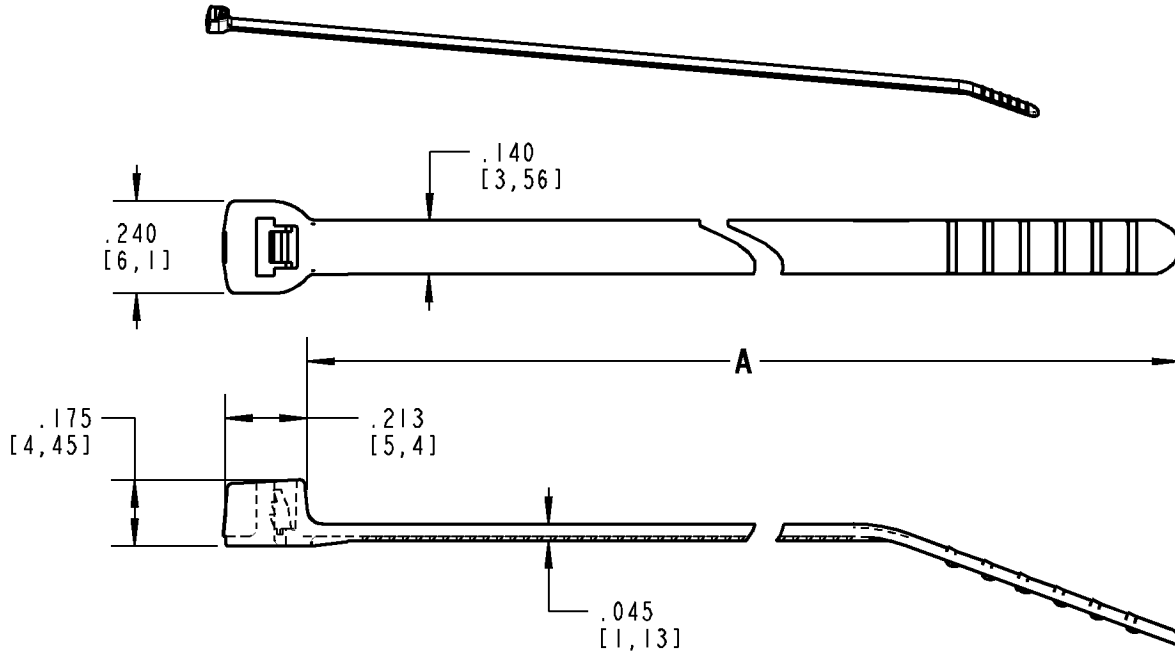




# Catamount<sup>®</sup>

**NOTES:**

1. MATERIAL: NYLON 6,6
2. FLAMMABILITY: UL94V-2
3. OPERATING TEMPERATURE RANGE: -40°F [-40°C] TO 185°F [85°C]
4. MINIMUM TENSILE RATING: 40 LBS [178 N]
5. MINIMUM WIRE BUNDLE: .0625 [1,59]
6. MAXIMUM WIRE BUNDLE: SEE TABLE
7. INSTALLATION TOOL/SETTING: WT199/1-3 (MS90387-1) OR ERG299/1-3

CATALOG NUMBER	MAXIMUM WIRE BUNDLE	A
L-8-40-*-**	2.000 [50,8]	8.510 [216,15]
L-8-40FL-*-**	2.000 [50,8]	8.510 [216,15]
L-11-40-*-**	3.000 [76,2]	11.287 [286,69]
L-14-40-*-**	4.000 [101,6]	14.287 [362,9]

\* = COLOR CODE- 0= BLACK (OUTDOOR) 4= YELLOW 8= GRAY 17= FLUORESCENT YELLOW  
 1= BROWN 5= GREEN 9= NATURAL 18= FLUORESCENT GREEN  
 2= RED 6= BLUE 11= FLUORESECENT PINK 20= FLUORESCENT BLUE  
 3= ORANGE 7= PURPLE 16= FLUORESCENT ORANGE

\*\* = PACKAGING- C= STD PKG (100) D= BULK PKG (500) M= BULK PKG (1,000)

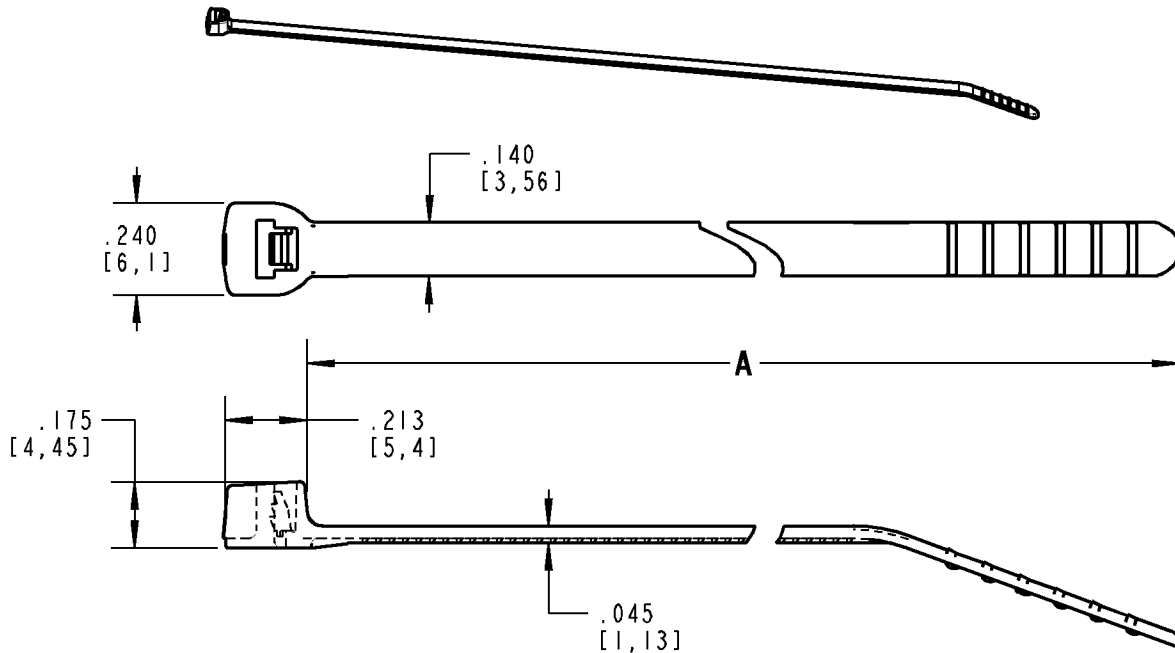
CONSULT CUSTOMER SERVICE FOR PACKAGE QUANTITY AVAILABILITY

**FLUORESCENT COLORS NOT "UR" OR "CE" RECOGNIZED OR LISTED**

GENERAL NOTES		 DESCRIPTION: <b>8", 11" &amp; 14" SERIES 40 INTERMEDIATE CABLE TIES</b>			
1. ALL DIMENSIONS ARE FOR REFERENCE ONLY. 2. DIMENSIONS IN BRACKETS [ ] ARE IN METRIC UNITS.					
REVISIONS		ORIGINAL PROJECT NO / ( ERN NO )	SHEET NO:	REV. NO:	DRAWING NO:
- SEE ERN ( **** ) FOR APPROVAL SIGNATURES & RELEASE DATE. PROJECT NO: ****		<b>FM40182 / ( 2006127 )</b>	<b>1 OF 1</b>	<b>-</b>	<b>WSD-000221</b>



# Catamount®

**NOTES:**

1. MATERIAL: NYLON 6,6
2. FLAMMABILITY: UL94V-2
3. OPERATING TEMPERATURE RANGE: -40°F [-40°C] TO 185°F [85°C]
4. MINIMUM TENSILE RATING: 40 LBS [178 N]
5. MINIMUM WIRE BUNDLE: .0625 [1,59]
6. MAXIMUM WIRE BUNDLE: SEE TABLE
7. INSTALLATION TOOL/SETTING: WT199/1-3 (MS90387-1) OR ERG299/1-3

CATALOG NUMBER	MAXIMUM WIRE BUNDLE	A
L-8-40-*-**	2.000 [50,8]	8.510 [216,15]
L-8-40FL-*-**	2.000 [50,8]	8.510 [216,15]
L-11-40-*-**	3.000 [76,2]	11.287 [286,69]
L-14-40-*-**	4.000 [101,6]	14.287 [362,9]

\* = COLOR CODE- 0= BLACK (OUTDOOR) 4= YELLOW 8= GRAY 17= FLUORESCENT YELLOW  
 1= BROWN 5= GREEN 9= NATURAL 18= FLUORESCENT GREEN  
 2= RED 6= BLUE 11= FLUORESECENT PINK 20= FLUORESCENT BLUE  
 3= ORANGE 7= PURPLE 16= FLUORESCENT ORANGE

\*\* = PACKAGING- C= STD PKG (100) D= BULK PKG (500) M= BULK PKG (1,000)

CONSULT CUSTOMER SERVICE FOR PACKAGE QUANTITY AVAILABILITY

**FLUORESCENT COLORS NOT "UR" OR "CE" RECOGNIZED OR LISTED**

GENERAL NOTES		 DESCRIPTION: <b>8", 11" &amp; 14" SERIES 40 INTERMEDIATE CABLE TIES</b>			
1. ALL DIMENSIONS ARE FOR REFERENCE ONLY. 2. DIMENSIONS IN BRACKETS [ ] ARE IN METRIC UNITS.					
REVISIONS		ORIGINAL PROJECT NO / ( ERN NO )	SHEET NO:	REV. NO:	DRAWING NO:
- SEE ERN ( **** ) FOR APPROVAL SIGNATURES & RELEASE DATE. PROJECT NO: ****		<b>FM40182 / ( 2006127 )</b>	<b>1 OF 1</b>	<b>-</b>	<b>WSD-000221</b>