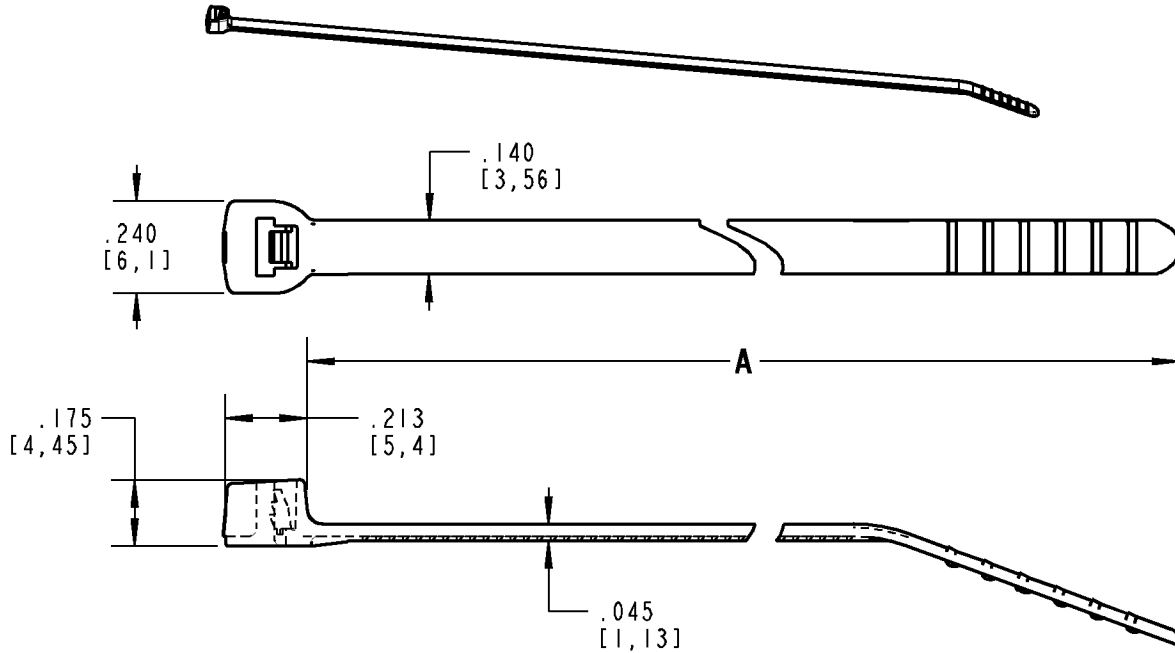




Catamount®

**NOTES:**

1. MATERIAL: NYLON 6,6
2. FLAMMABILITY: UL94V-2
3. OPERATING TEMPERATURE RANGE: -40°F [-40°C] TO 185°F [85°C]
4. MINIMUM TENSILE RATING: 40 LBS [178 N]
5. MINIMUM WIRE BUNDLE: .0625 [1,59]
6. MAXIMUM WIRE BUNDLE: SEE TABLE
7. INSTALLATION TOOL/SETTING: WT199/1-3 (MS90387-1) OR ERG299/1-3

CATALOG NUMBER	MAXIMUM WIRE BUNDLE	A
L-8-40-*-**	2.000 [50,8]	8.510 [216,15]
L-8-40FL-*-**	2.000 [50,8]	8.510 [216,15]
L-11-40-*-**	3.000 [76,2]	11.287 [286,69]
L-14-40-*-**	4.000 [101,6]	14.287 [362,9]

* = COLOR CODE- 0= BLACK (OUTDOOR) 4= YELLOW 8= GRAY 17= FLUORESCENT YELLOW
 1= BROWN 5= GREEN 9= NATURAL 18= FLUORESCENT GREEN
 2= RED 6= BLUE 11= FLUORESECENT PINK 20= FLUORESCENT BLUE
 3= ORANGE 7= PURPLE 16= FLUORESCENT ORANGE

** = PACKAGING- C= STD PKG (100) D= BULK PKG (500) M= BULK PKG (1,000)

CONSULT CUSTOMER SERVICE FOR PACKAGE QUANTITY AVAILABILITY

FLUORESCENT COLORS NOT "UR" OR "CE" RECOGNIZED OR LISTED

GENERAL NOTES		Thomas & Betts www.tnb.com			
1. ALL DIMENSIONS ARE FOR REFERENCE ONLY. 2. DIMENSIONS IN BRACKETS [] ARE IN METRIC UNITS.					
REVISIONS		DESCRIPTION: 8", 11" & 14" SERIES 40 INTERMEDIATE CABLE TIES			
- SEE ERN (****) FOR APPROVAL SIGNATURES & RELEASE DATE. PROJECT NO: ****		ORIGINAL PROJECT NO / (ERN NO)	SHEET NO:	REV. NO:	DRAWING NO:
		FMM01182 / (2006127)	1 OF 1	-	WSD-000221