

Project		Catalog #		Type	
Prepared by		Notes		Date	



HALO

LT6 Direct Mount

6" LED Direct Mount Module
800 Lumen Series

Typical Applications

Residential

Interactive Menu

- Order Information [page 2](#)
- Product Specifications [page 2](#)
- Energy Data [page 3](#)
- Product Warranty

Product Certification



Refer to ENERGY STAR® Certified Products List.
Can be used to comply with California Title 24 High Efficacy requirements.
Certified to California Appliance Efficiency Database under JA8.

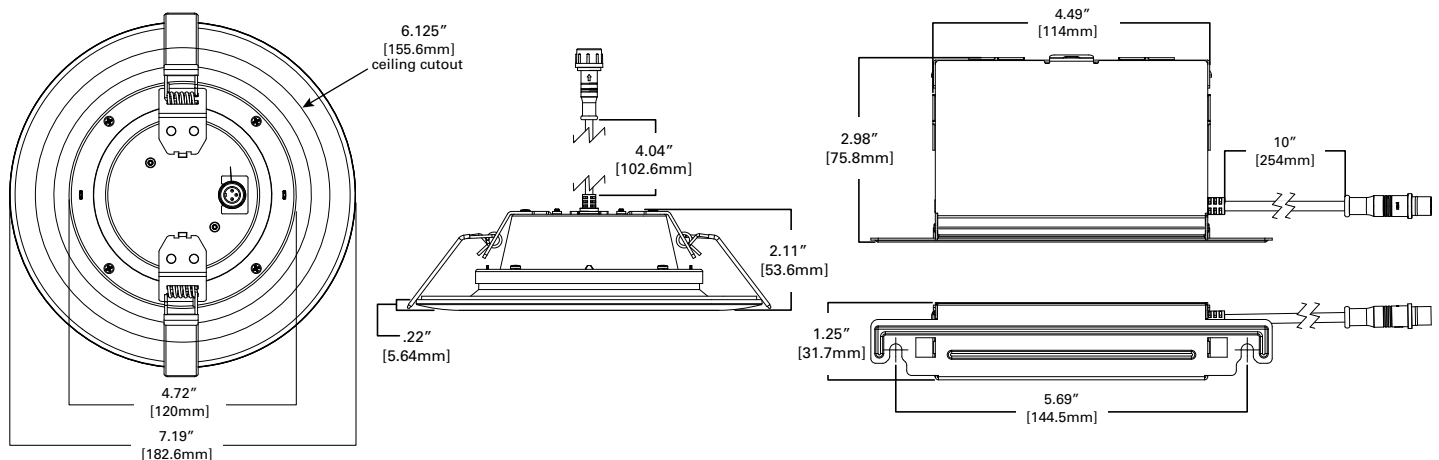
Product Features



Top Product Features

- Selectable CCT: 2700K, 3000K, 3500K or 3000K, 4000K, 5000K
- Smooth splay
- Direct mount – does not require recessed housing or junction box
- Dimmable down to 10%
- Perfect for new construction or remodel work

Dimensional and Mounting Details



Order Information

SAMPLE ORDER NUMBER: **LT6089FS351EWHDMR**

Module	Lumens	CRI/CCT	Driver	Finish	Mounting	Packaging
Module	Lumens	CRI/CCT	Driver	Finish	Mounting	Packaging
LT6 = 6-inch LED direct mount module	08 = 800 lumens (nominal)	9FS23 = 90 CRI min, 2700K, 3000K, 3500K selectable CCT 9FS35 = 90 CRI min, 3000K, 4000K, 5000K selectable CCT	1E = 120V 60Hz, LE & TE phase cut 10% dimming	WH = Matte White flange	DM = Direct Mount	R = Recyclable 4-color unit carton

Accessories

Accessories

HL6RSMF = 6" round and square mounting frame

Extension Cable | selectable Driver/Jbox

HLB06FSEC = 6 ft. extension cable

HLB12FSEC = 12 ft. extension cable

HLB20FSEC = 20 ft. extension cable

Specification Features

Module

- LED module consists of LED array, optical assembly, driver and self-flanged trim
- Smooth splay style trim
- Achieving L70 at 35,000 hours in IC and non-IC applications
- Injection molded plastic construction is impact resistant and non-corrosive
- Non-conductive construction meets most local code 'dead front' requirements

Gaskets

- Closed cell gasket achieves restrictive airflow requirements without additional caulking

LED Array

- A plurality of low power LEDs provide a uniform source with high efficiency and long life
- Available in 90 CRI minimum, R9 greater than 50 and color accuracy within 4 SDCM provide color accuracy and uniformity
- Available in 3-color selectable CCT: choose 2700K, 3000K, 3500K or 3000K, 4000K, 5000K

Optical Assembly

- Optical assembly provides wide distribution useful for general and task lighting
- Diffuse injection molded lens with contoured profile provides uniformity and a familiar lamp like appearance
- Meets ENERGY STAR® color angular uniformity requirements

Junction Box

- Die formed metal driver / junction box with captive hinged junction box cover
- Listed for (6) #12 AWG 90° C splice conductors, 2-in, 2-out plus (2) ground
- (4) ½" conduit pry-outs
- Accepts 14-2, 14-3, 12-2, 12-3 U.S. and 14-2, 14-3, 12-2 Canadian NM cable
- (3) wire nuts for quick and reliable mains voltage connections
- Integral mounting facilitates direct mounting to building structure or mounting frame

Driver

- Integral 120V 60 Hz constant current driver provides high efficiency operation
- Continuous, flicker-free dimming from 100% to 10% with select leading or trailing edge 120V phase cut dimmers – consult dimming guide for more information
- Consult dimmer manufacturer for compatibility and conditions of use

Installation

- Can be installed in 3/8" to 1-1/4" thick ceilings
- Round ceiling cutout
- Heat treated springs hold fixture fitting securely in the ceiling eliminating light leaks
- Can be removed from below the ceiling for service or replacement

Compliance

- UL Certified for US and Canada type IC suitable for direct contact with air permeable insulation
- Not recommended for use in direct contact with spray foam insulation, reference NEMA LSD57-2013
- Wet location listed and IP55 ingress protection rated
- Air-tite per ASTM-E283
- Suitable for use in clothes closets when installed in accordance with the NEC 410.16 spacing requirements
- EMI/RFI emissions per FCC 47CFR Part 15 consumer limits
- Contains no mercury or lead and RoHS compliant
- Photometric testing in accordance with IES LM79-08
- Lumen maintenance projections in accordance with IES LM-80-08 and TM-21-11
- Can be used for State of California Title 24 high efficacy LED compliance under JA8, reference Modernized Appliance Efficiency Database System (MAEDBS) for 2019 JA8 High Efficacy Lighting
- ENERGY STAR® certified, reference "Certified Light Fixtures" database

Warranty

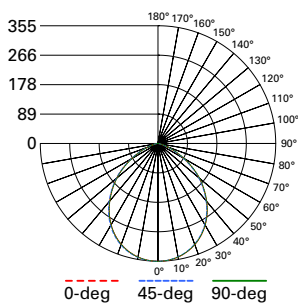
- Five year limited warranty, consult website for details. www.cooperlighting.com/legal

Energy Data

LT6089FS231EWHDMR	
Lumens	800 Series
Input Voltage	120V
Input Current	74 (mA)
Input Power	8.3 (W)
Efficiency	97.0 (LPW)
Inrush (A)	1.48 A @ 65 μ S
THD:	\leq 20%
PF:	\geq 0.90
T Ambient	-30° - +40°C
Sound Rating	\leq 22 dba

LT6089FS351EWHDMR	
Lumens	800 Series
Input Voltage	120V
Input Current	74 (mA)
Input Power	8.5 (W)
Efficiency	90.6 (LPW)
Inrush (A)	1.48 A @ 65 μ S
THD:	\leq 20%
PF:	\geq 0.90
T Ambient	-30° - +40°C
Sound Rating	\leq 22 dba

Photometric Data



LT6089FS231EWHDMR - 2700K

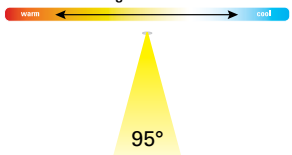
Spacing criterion: (0-180) 1.19
(90-270) 1.19
(Diagonal) 1.27

Beam Angle: 95°
Lumens: 766
Input Watts: 8.18 W
Efficacy: 93.6 LPW
UGR: 19
Test Report:
LT6089FS231EWHDMR.ies

Zonal Lumen	Lumens	% Lumens
0-30	269	35.1
0-40	429	56
0-60	691	90.3
0-90	766	100

TM-30-15	Rf = 91
	Rg = 97
CRI/CIE	Ra = 92.6
	R9 = 57.1

CCT - Range of 2700K- 5000K



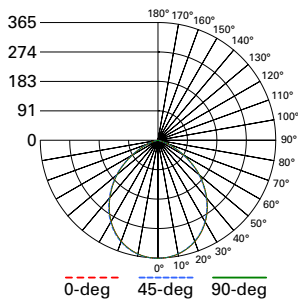
LT6-DM 2700K / 3000K/ 3500K

CCT	Watts	lumens	LPW	CRI
2700K	8.6	730	84.9	92
3000K	8.3	805	97.0	93
3500K	8.6	820	95.3	92

LT6089FS231EWHDMR - 3000K

PRODUCT SPECIFICATIONS	
Lumens	805
Watts	8.3
Lumens Per Watt (Efficacy)	97.0
Color Accuracy (CRI)	93
Light Color (CCT)	3000K
Correlated Color Temperature (CCT)	
warm white	soft white
2700K	3000K
4500K	6500K

Photometric Data



LT6089FS351EWHDMR - 3000K

Spacing criterion: (0-180) 1.19
(90-270) 1.19
(Diagonal) 1.27

Beam Angle: 95°
Lumens: 787
Input Watts: 8.15 W
Efficacy: 96.6 LPW
UGR: 19

Test Report:
LT6089FS351EWHDMR.ies

Zonal Lumen	Lumens	% Lumens
0-30	276	35.1
0-40	441	56
0-60	710	90.3
0-90	787	100

TM-30-15	Rf = 91
	Rg = 97
CRI/CIE	Ra = 93.7
	R9 = 62.7

CCT - Range of 2700K- 5000K



95°

LT6-DM 3000K / 4000K/ 5000K				
CCT	Watts	lumens	LPW	CRI
3000K	8.5	770	90.6	93
4000K	8.2	810	98.8	94
5000K	8.5	785	92.4	93

LT6089FS351EWHDMR - 3000K

PRODUCT SPECIFICATIONS	
Lumens	770
Watts	8.5
Lumens Per Watt (Efficacy)	90.6
Color Accuracy (CRI)	93
Light Color (CCT) Correlated Color Temperature (CCT)	3000K