

# Maestro LED+ Dimmer

Dimmer for dimmable LED and CFL bulbs

## Features

- Large tapswitch with a rocker-style dimmer for a standard designer wallplate opening.
- Advanced dimming technology designed for compatibility with a broader range of high efficacy bulbs.
- UL Listed to control:
  - Dimmable LEDs
  - Dimmable compact fluorescent lamps (CFLs) with integrated ballast
  - Lutron LTEA Hi-lume 1% forward-phase LED driver
  - Halogen
  - Incandescent
- Low-end adjustment to accommodate a wide range of bulbs.
- No neutral required for retrofit applications.
- Tapswitch returns load to previous level.
- Can be used in single-pole, multi-location (using MA-R), or 3-way mechanical switch<sup>1</sup> applications.
- Coordinating Claro and stainless steel wallplates available separately.
- 100% factory tested.
- NEMA SSL-7A Compliant.
- Formerly C•L.

## Product Specific Features

- Capable of controlling up to 150 W dimmable LED/CFL or 600 W incandescent/halogen or mixed bulb type per **Multigang and Mixed Bulb Type Ratings** table (see page 3).

### Notes:

<sup>1</sup> An additional wiring and programming step is required for 3-way mechanical switch applications. Not for use in 4-way mechanical switch applications.

<sup>2</sup> "XX" Color codes, see section "Colors and Finishes" on the next page.

<sup>3</sup> For clamshell packaging add "H" after "153M". Not available in BR or GR.

<sup>4</sup> For 3-way and 4-way dimming, use Maestro companion dimmers.

<sup>5</sup> Clamshell packaged product for Canada. Not available in BR or GR.

<sup>6</sup> Clamshell packaged product. Not available in BR or GR.



Wallplate sold separately

## Model Number

- MACL-153M-XX<sup>2,3</sup>** Single-pole/3-way<sup>1</sup> / Multi-location<sup>4</sup>
- MACL-153MH-XX-C<sup>2,5</sup>** Single-pole/3-way<sup>1</sup> / Multi-location<sup>4</sup>

## Packages

- MACL-153M-RHW-XX<sup>2,6</sup>** includes: 1 MACL-153M-XX, 1 MA-R-XX, and 2 CW-1-XX.
- MACL-153MRHW-XXC<sup>2,5</sup>** includes: 1 MACL-153M-XX, 1 MA-R-XX, and 2 CW-1-XX.

## LUTRON SPECIFICATION SUBMITTAL

Page

Job Name:	Model Numbers:
Job Number:	

## Specifications

### Regulatory Approvals

- UL Listed to U.S. and Canadian safety requirements (UL 1472 / CSA C22.2 184.1)
- NOM

### Power and Ratings

- 120 V~ 60 Hz
- Maximum Load
  - 150 W dimmable LED/CFL
  - or**
  - 600 W incandescent/halogen
  - or**
  - Mixed bulb type per **Multigang and Mixed Bulb Type Ratings** table (see page 3)

- Minimum Load
  - 250 W Lutron LTEA Hi-lume 1% forward-phase LED driver (6 max.)
- Minimum Load
  - See approved lamp list for LED/CFL
  - or**
  - 40 W incandescent/halogen

### Environment

- For indoor use only
- Operating temperatures 32 °F (0 °C) to 104 °F (40 °C)

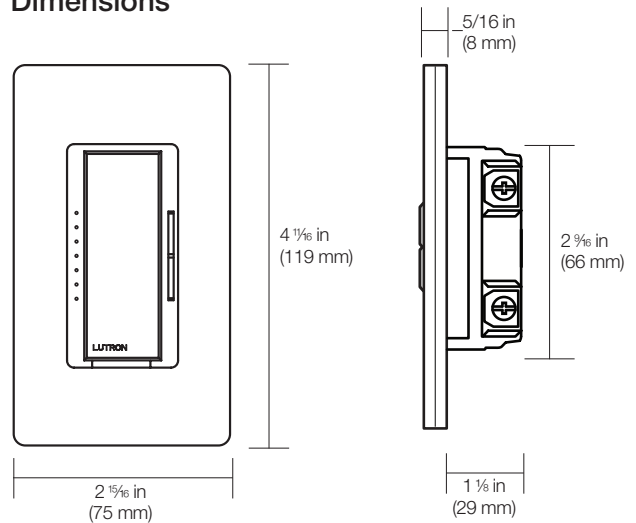
### Performance

- Power-failure memory
- Raise/lower rocker
- Electrostatic discharge tested
- Precise color matching
- Includes a Front Accessible Service Switch (FASS) for safe bulb replacement

### Application Requirements

- **When using LEDs or CFLs, only bulbs marked or rated as DIMMABLE can be used.**
- For a complete list of approved LEDs visit [www.lutron.com/LEDfinder](http://www.lutron.com/LEDfinder)

### Dimensions



**Note:** Requires a U.S. wallbox 2 1/4 in (57 mm) deep minimum.

### Warranty

- 1 Year Limited Warranty  
For additional Warranty information, please visit [www.lutron.com/TechnicalDocumentLibrary/369-119\\_Wallbox\\_Warranty.pdf](http://www.lutron.com/TechnicalDocumentLibrary/369-119_Wallbox_Warranty.pdf)

### Colors and Finishes

#### Gloss Finishes

WH	White	IV	Ivory
AL	Almond	LA	Light Almond
GR	Gray	BR	Brown
BL	Black		




#### Satin Finishes

SW	Snow	MN	Midnight
TP	Taupe	BI	Biscuit
ES	Eggshell	PD	Palladium
HT	Hot	MR	Merlot
PL	Plum	SI	Sienna
TC	Terracotta	BG	Bluestone
GB	Green Briar	GS	Goldstone
MS	Mocha Stone	ST	Stone
DS	Desert Stone	LS	Limestone

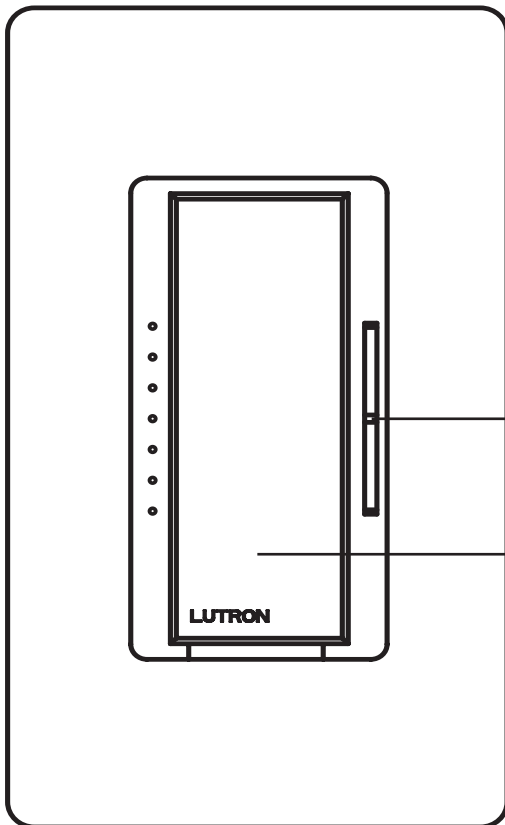
For the latest color offerings please see our website: <http://www.lutron.com/satincolors>

<b>Job Name:</b>	<b>Model Numbers:</b>
<b>Job Number:</b>	

### Multigang and Mixed-Bulb-Type Ratings

Total LED•CFL Wattage Installed (Watts per bulb X # of bulbs)	  LED CFL	Maximum Allowable Incandescent / Halogen Wattage		
		 INC/HAL		
		No sides removed	1 side removed	2 sides removed
0 W	+	600 W	500 W	400 W
1 W – 25 W	+	500 W	400 W	300 W
26 W – 50 W	+	400 W	300 W	200 W
51 W – 75 W	+	300 W	200 W	100 W
76 W – 100 W	+	200 W	100 W	50 W
101 W – 125 W	+	100 W	50 W	0 W
126 W – 150 W	+	0 W	0 W	0 W

### Operation



**Raise / Lower Rocker**

- Press rocker to adjust light level

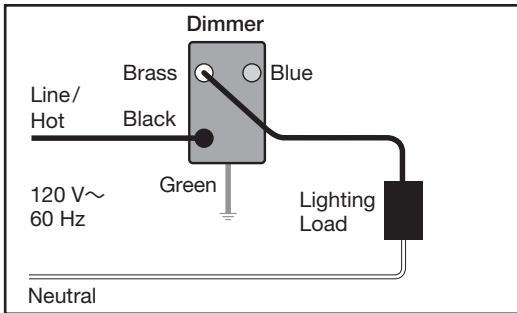
**Tapswitch**

- Tap on to favorite level
- Tap off
- Tap twice for full on
- Press, hold and release for gradual fade-to-off

Job Name:	Model Numbers:
Job Number:	

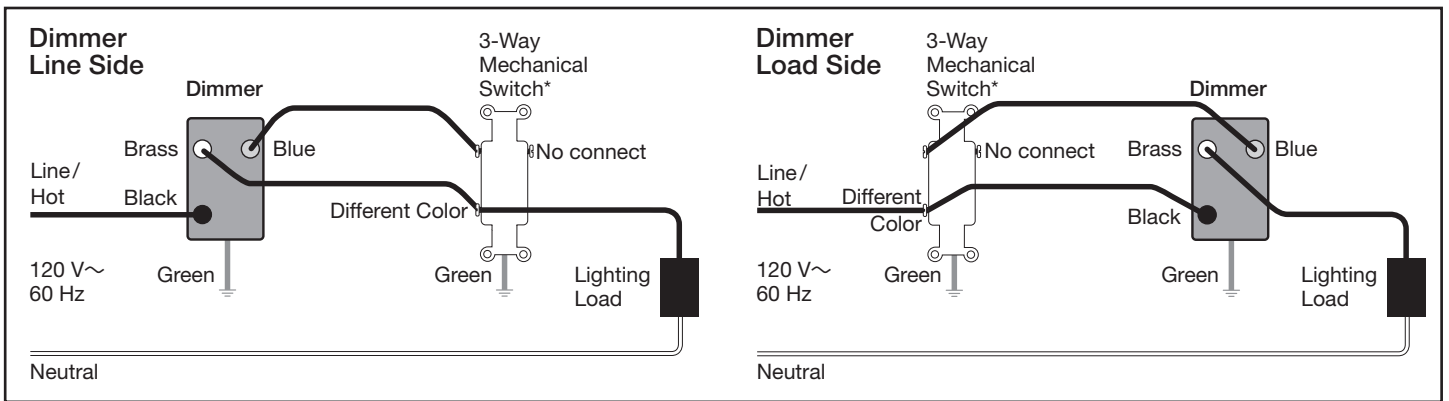
# Wiring Diagrams

## Single-Pole Wiring



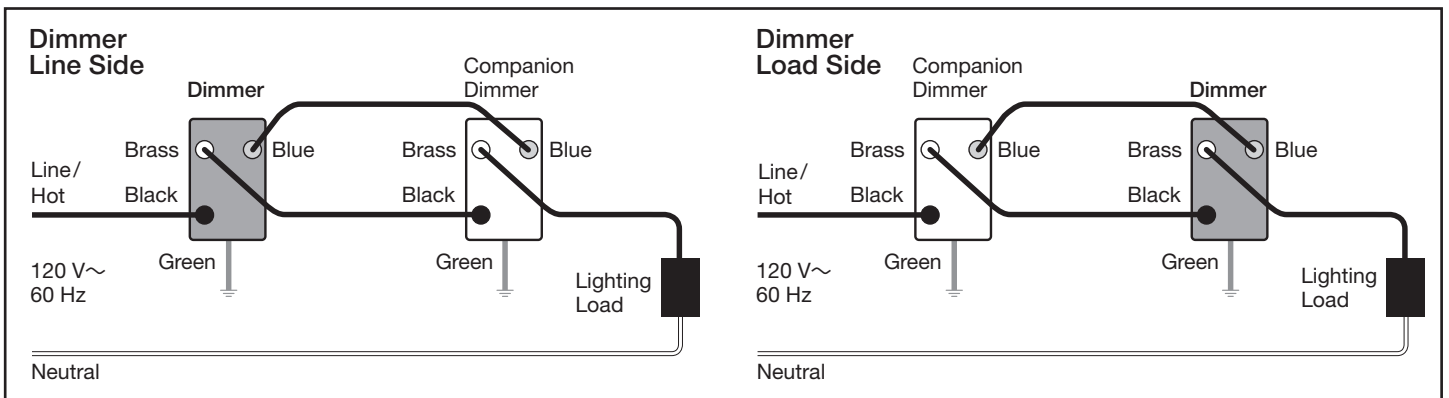
**Note:** Dimmer can be installed on the line side or load side of the circuit.

## 3-Way Wiring (Using 3-Way Mechanical Switch)



\*Note: Screw terminal positions on 3-way mechanical switches may vary.

## 3-Way Wiring (Using MA-R Companion Dimmer)

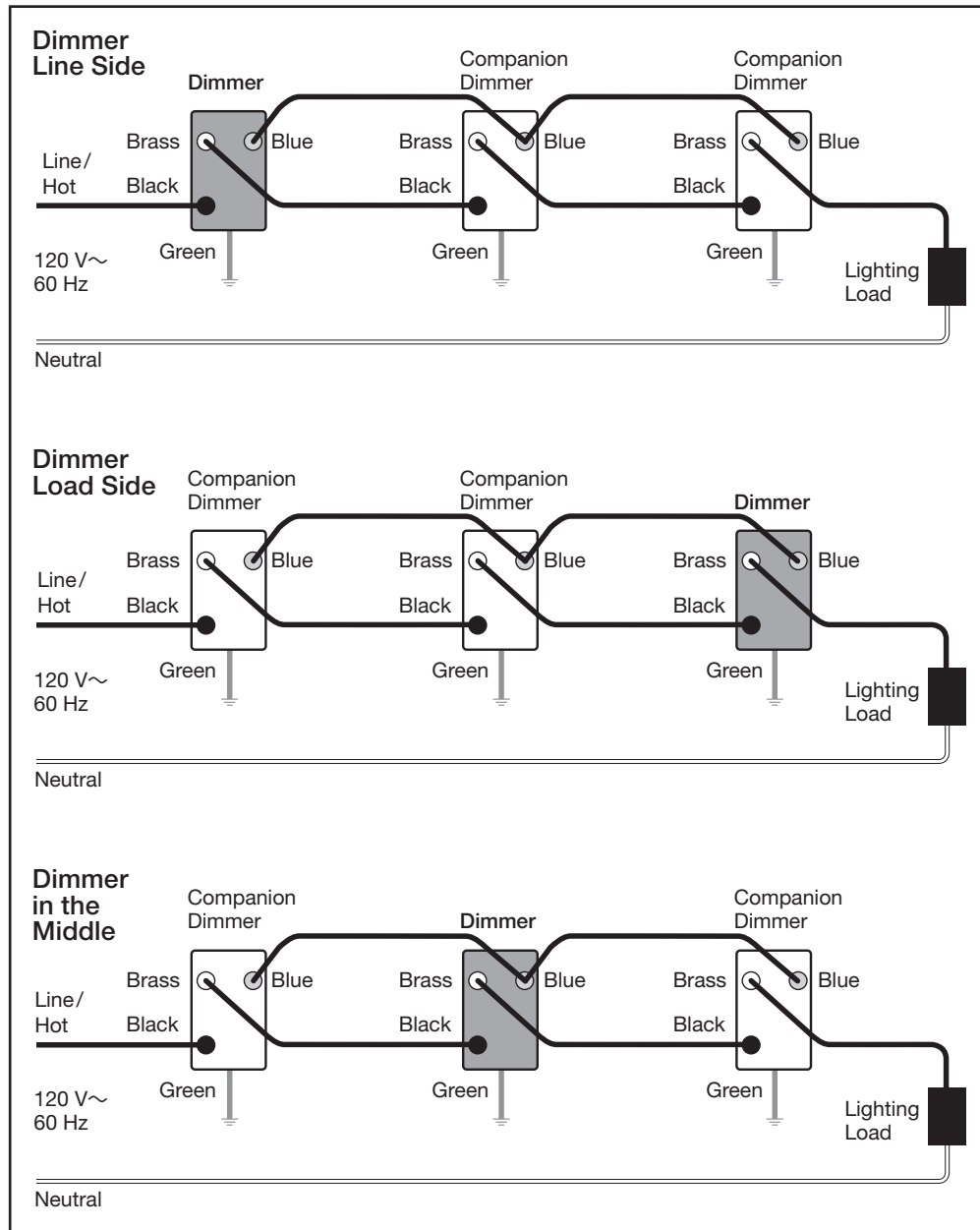


Continued on next page...

Job Name:	Model Numbers:
Job Number:	

### Wiring Diagrams (continued)

#### 4-Way Wiring (Using MA-R Companion Dimmer)



**Note:** Dimmer can be installed on the line side, load side, or in the middle of the circuit.

Lutron, The Lutron logo, Maestro, Hi-lume, LED+, C•L, Claro, and FASS are trademarks or registered trademarks of Lutron Electronics Co., Inc. in the US and/or other countries. All other product names, logos, and brands are property of their respective owners.

#### LUTRON SPECIFICATION SUBMITTAL

Page

Job Name:	Model Numbers:
Job Number:	