



MH-250A-P-KIT 3/1

250W METAL HALIDE BALLAST KIT



DESCRIPTION

250W Metal Halide Ballast Kit | 5 Tap

LAMP TYPE: 250W Standard Metal Halide (M58 or H37)

INPUT VOLTAGE: 5 Tap (120/208/240/277/480)

CIRCUIT TYPE: CWA (without Ignitor)

WARRANTY: 2 Years



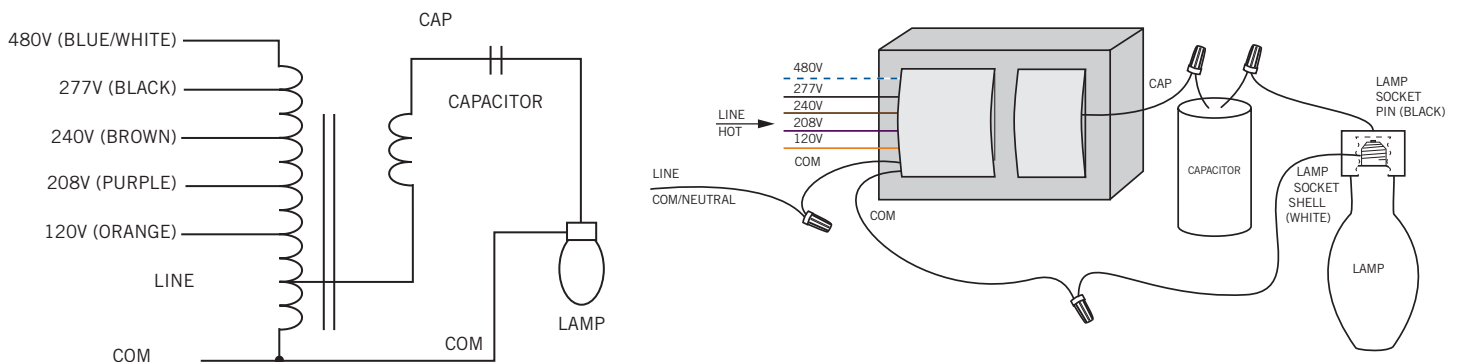
PRODUCT FEATURES

- ANSI Designation: M58 or H37
- Line Voltage: 120/208/240/277/480
- Regulation: 10%
- Frequency: 60 Hz
- Recommended Fuse (A): 8/5/4/3/2
- Circuit Type: CWA (without Ignitor)
- Insulation Class: 180°C
- Capacitor Value: 15 μ F
- Capacitor Voltage Rating: 400 V
- Capacitor Temperature Rating: 90°C
- Winding Materials: Copper/Aluminum
- Lamp Starter: N/A
- Agency Certification: RU, cRU
- Maximum Distance to Lamp: N/A

ELECTRICAL SPECIFICATIONS

Line Voltage	Power Factor	Line Current			Input Power	Open Circuit Voltage	Minimum Start Temperature	UL Temp. Code
		Operating	Open	Start				
120V	High	2.40mA	2.20mA	1.77mA	280W	308V	-30°C/-22°F	A
208V	High	1.38mA	1.28mA	1.05mA	280W	308V	-30°C/-22°F	A
240V	High	1.19mA	1.11mA	0.90mA	280W	308V	-30°C/-22°F	A
277V	High	1.04mA	0.98mA	0.96mA	280W	308V	-30°C/-22°F	A
480V	High	0.60mA	0.57mA	0.44mA	280W	308V	-30°C/-22°F	A

WIRING DIAGRAM



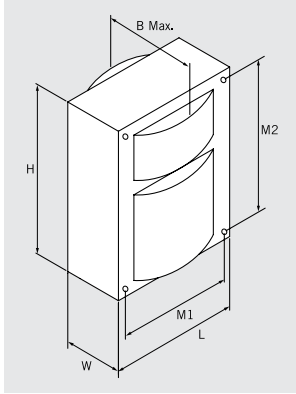


MH-250A-P-KIT 3/1

250W METAL HALIDE BALLAST KIT

PHYSICAL SPECIFICATIONS

CASE STYLE

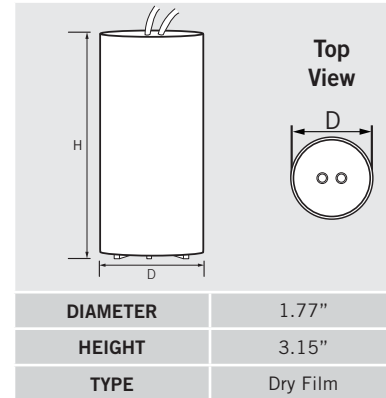


OVERALL DIMENSIONS			
LENGTH	WIDTH	HEIGHT	B MAX.
4.30"	1.65"	4.80"	3.62"

MOUNTING HOLES		
DIAMETER	M1	M2
0.25"	3.87"	4.38"

BRACKET DIMENSIONS		BALLAST NET WEIGHT	LEAD LENGTH
LENGTH	WIDTH		
7.25"	1.11"	8.93 lbs	12-14"

CAPACITOR SPECIFICATIONS



DIAMETER	1.77"
HEIGHT	3.15"
TYPE	Dry Film

ORDERING INFORMATION

Order Code	Packaging Style	Package Quantity	Item Status
MH-250A-P-KIT 3/1	Kit	1	Quick Ship

Kit includes pre-wired ballast, capacitor, mounting brackets, and mounting hardware

CATALOG NUMBER BREAKDOWN

MH-250A-P-KIT				
Metal Halide	Wattage	CWA Circuit	5 Tap	Ballast Kit