



CONDUIT HUBS



- Suitable for use in hazardous location applications when installed according to NEC Articles 501.10(b), Class I, Div. 2, (Suitable for use in Class I Zone 2 applications) 502.10, 503.10 and 505-15.
- Suitable for use with NEMA type enclosures 2, 3, 3R, 4, 12 and 13.



FEATURES-SPECIFICATIONS

Applications

Conduit hubs provide a liquid tight, oil tight and dust tight termination of electrical conduit through the walls of sheet metal enclosures. The hubs fit into standard knock-out dimensions.

Features

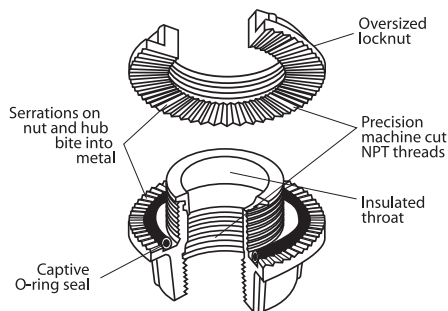
- Oversized locknut provides for a strong vibration-proof termination
- Captive sealing ring
- Serrations on hub body and locknut provide effective positive ground path
- Rugged cast zinc construction
- Insulated throat protects conductors
- Suitable for use with NEMA type enclosures 2, 3, 3R, 4, 12 and 13
- Available with grounding provision

Material/Finish

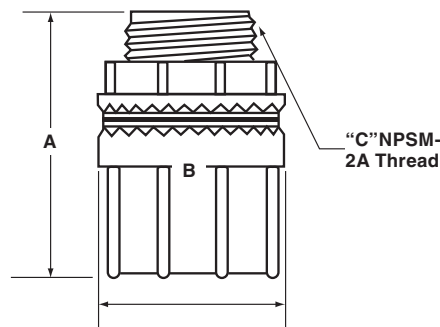
- Die cast zinc or Die cast aluminum
- Natural finish
- Sealing ring – Buna-N

DIE CAST ZINC WH WEATHERPROOF CONDUIT HUBS		
CATALOG NO. W/O GROUND	CATALOG NO. WITH GROUND	NPT HUB SIZE
WH-1	WH-1G	1/2"
WH-2	WH-2G	3/4"
WH-3	WH-3G	1"
WH-4	WH-4G	1-1/4"
WH-5	WH-5G	1-1/2"
WH-6	WH-6G	2"
WH-7	WH-7G	2-1/2"
WH-8	WH-8G	3"
WH-9	WH-9G	3-1/2"
WH-0	WH-0G	4"

DIE CAST ALUMINUM WH WEATHERPROOF CONDUIT HUBS		
CATALOG NO. W/O GROUND	CATALOG NO. WITH GROUND	NPT HUB SIZE
WH-1A	WH-1AG	1/2"
WH-2A	WH-2AG	3/4"
WH-3A	WH-3AG	1"
WH-4A	WH-4AG	1-1/4"
WH-5A	WH-5AG	1-1/2"
WH-6A	WH-6AG	2"
WH-7A	WH-7AG	2-1/2"
WH-8A	WH-8AG	3"
WH-9A	WH-9AG	3-1/2"
WH-0A	WH-0AG	4"



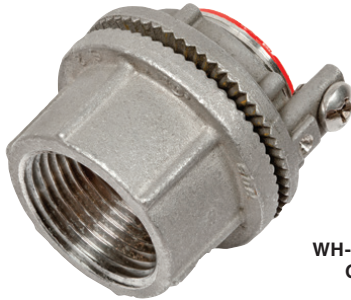
DIMENSIONS			
CATALOG NUMBER	A	B	C
WH-1	1.500"	1.437"	1/2"-14
WH-2	1.510"	1.685"	3/4"-14
WH-3	1.812"	1.921"	1"-11-1/2
WH-4	1.877"	2.370"	1-1/4"-11-1/2
WH-5	1.920"	2.745"	1-1/2"-11-1/2
WH-6	1.895"	3.236"	2"-11-1/2
WH-7	2.605"	3.708"	2-1/2"-8
WH-8	2.615"	4.370"	3"-8
WH-9	2.570"	4.941"	3-1/2"-8
WH-0	2.590"	5.450"	4"-8





FITTINGS

CONDUIT HUBS IN STAINLESS STEEL



WH-3SSG with Ground



- Suitable for use in hazardous location applications when installed according to NEC Articles 501.10(B), Class I, Div. 2, (Suitable for use in Class I Zone 2 applications) 502.10, 503.10 and 505-15.
- Suitable for use with NEMA type enclosures 2, 3, 3R, 4, 4x 12 and 13.



cULus Certified to CSA Standards by UL

FEATURES-SPECIFICATIONS

Applications

Conduit hubs provide a liquid tight, oil tight and dust tight termination of electrical conduit through the walls of sheet metal enclosures. The hubs fit into standard knockout dimensions.

Features

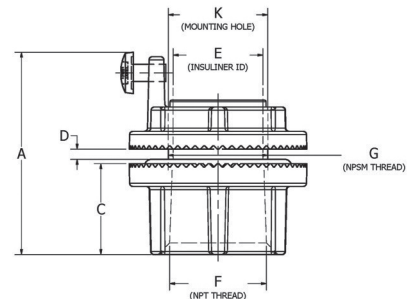
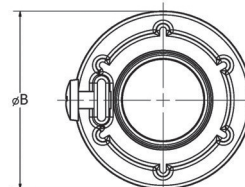
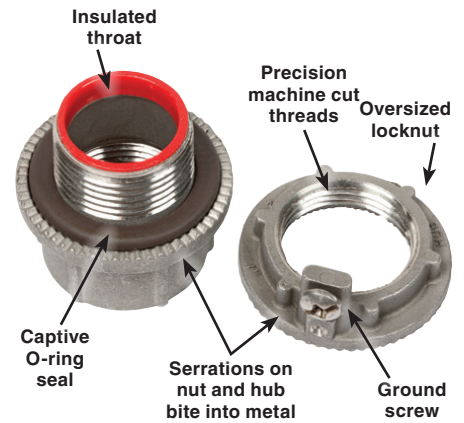
- Oversized locknut provides for a strong vibration-proof termination
- Captive sealing ring
- Serrations on hub body and locknut provide effective positive ground path
- Rugged 316 Stainless Steel
- Insulated throat protects conductors
- Suitable for use with NEMA type enclosures 2, 3, 3R, 4, 4x, 12 and 13
- Grounding provision for added safety

Material/Finish

- Nut and body 316 Stainless Steel
- Natural finish
- Sealing ring gasket - Viton
- Insuliner - Lexan
- Ground screw - Stainless steel

WH WEATHERPROOF CONDUIT HUBS			
CATALOG NUMBER	FEMALE NPT HUB SIZE	MAX. COPPER ^① GROUND WIRE SIZE	
WH-1SSG	1/2"	#8	#8
WH-2SSG	3/4"	#8	#8
WH-3SSG	1"	#8	#8
WH-4SSG	1-1/4"	#8	#8
WH-5SSG	1-1/2"	#8	#6
WH-6SSG	2"	#8	#4
WH-7SSG	2-1/2"	#6	#2
WH-8SSG	3"	#6	1/0
WH-9SSG	3-1/2"	#6	2/0
WH-0SSG	4"	#4	2/0

^① Use of wire terminal is recommended by UL and required by CSA for wire gauges over 10 AWG



"D" Dimension indicates maximum panel thickness hub will accommodate.

CAT. NUMBER	HUB SIZE	A	B	C	D	Ø E		F (NPT)	G (NPSM)	Ø K	
						MIN.	MAX.			MIN.	MAX.
						WH-1SSG	1/2"			1-3/4" (44.45)	1-7/16" (36.51)
WH-2SSG	3/4"	2-1/16" (52.38)	1-11/16" (42.86)	57/64" (22.62)	3/16" (4.76)	0.780	0.800	3/4"	3/4"	1.060	1.090
WH-3SSG	1"	2-1/4" (57.15)	2" (50.8)	1-3/64" (26.59)	1/4" (6.35)	0.990	1.010	1"	1"	1.320	1.350
WH-4SSG	1-1/4"	2-9/32" (57.94)	2-3/8" (60.32)	1-1/32" (26.19)	1/4" (6.35)	1.270	1.290	1-1/4"	1-1/4"	1.660	1.690
WH-5SSG	1-1/2"	2-19/64" (58.30)	2-3/4" (69.85)	1-1/64" (25.79)	1/4" (6.35)	1.480	1.500	1-1/2"	1-1/2"	1.900	1.930
WH-6SSG	2"	2-25/64" (60.70)	3-1/4" (82.55)	1-3/32" (27.78)	1/4" (6.35)	1.930	1.950	2"	2"	2.380	2.410
WH-7SSG	2-1/2"	3-3/16" (80.90)	3-11/16" (93.66)	1-17/32" (38.89)	1/4" (6.35)	2.230	2.250	2-1/2"	2-1/2"	2.870	2.900
WH-8SSG	3"	3-3/16" (80.90)	4-19/64" (109.14)	1-17/32" (38.89)	1/4" (6.35)	2.870	2.890	3"	3"	3.490	3.520
WH-9SSG	3-1/2"	3-13/64" (81.36)	5" (127.00)	1-19/32" (40.48)	1/4" (6.35)	3.300	3.320	3-1/2"	3-1/2"	3.990	4.020
WH-0SSG	4"	3-5/32" (80.20)	5-15/32" (138.90)	1-17/32" (38.89)	1/4" (6.35)	3.750	3.770	4"	4"	4.500	4.530