



CADDY® "Twist On" Fixture Support



ERICO offers the CADDY "Twist On" Fixture Support.

Features

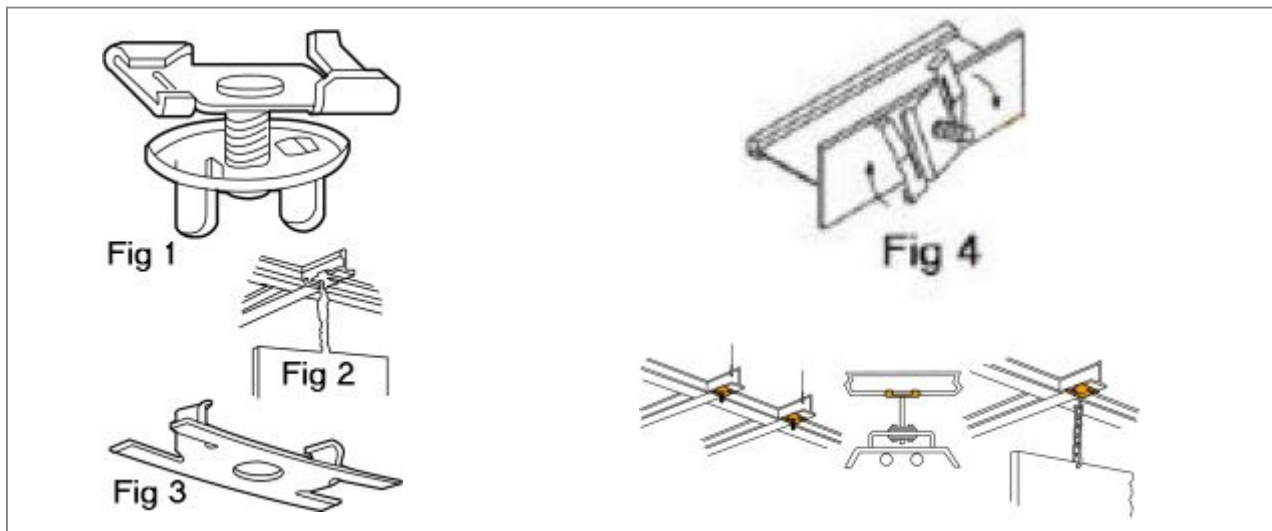
- Supports electrical fixtures from acoustical tee bar 9/16", 15/16" or 1-1/2" wide
- 1/4"-20 stud – 5/8", 1-1/2", 2" or 3" long
- Washer-Wing Nut (4WN) included
- No installation tools required



Applications

For supporting electrical fixtures from acoustical tee bar.

More Information



Catalog ;No.	Fig No.	Stud Length	Description	Static Load Limit	Std Box Qty
4G9	1	5/8"	For 9/16" tee	40	100
4G16	1	5/8"	For 15/16" tee	50	100
4G1615	1	1-1/2"	For 15/16" tee	50	100
4G162	1	2"	For 15/16" tee	50	100
4G163	1	3"	For 15/16" tee	50	100

4WN	1	-	1/4"-20 thread impression washer wing nut	*	100
4G16H	2	Sign Hanger	For 15/16" tee	40	100
4TGS**	3	1/4" Spacer	For recess T-grid system	N/A	100

** Not to exceed the load rating of corresponding fastener.*

***To be used with studded CADDY Twist Clips*

Copyright © 2007 ERICO International Corporation.