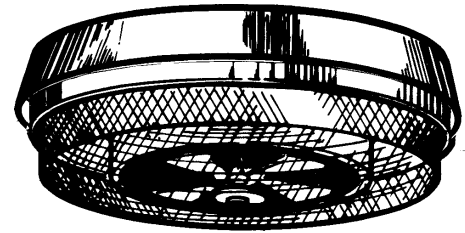


MODEL 9297T LOW PROFILE CEILING HEATER



Provides even heat from a unit that extends only 2¾" from the ceiling.

FEATURES

- Low profile
- Aluminum construction
- Expanded aluminum mesh grille
- Chrome alloy, wire element provides instant heat
- Built-in fan disperses heat evenly
- Automatic overheat protection
- Permanently lubricated motor
- Simple, quick surface installation
- Easily mounts to standard ceiling electrical boxes (3½" and 4" round and 4" octagon)
- May be operated using a wall switch or any control listed below

CONTROLS: (Designed for use with this product)
(purchase separately):

- Model 86W Line-Voltage Thermostat
- Model 59W/59V 60-Minute Timer
- Model 61W/61V 15-Minute Timer

SPECIFICATIONS

VOLTS	WATTS	AMPS	BTU/HR	COLOR	SHIPPING WEIGHT
120	1250	10.7	4266	Aluminum	3 lbs.

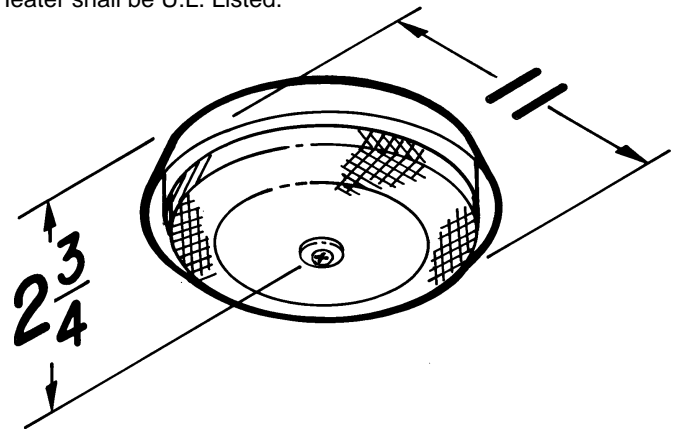
TYPICAL SPECIFICATION

Heater shall be NuTone Model 9297T.

Housing and grille to be aluminum. Unit shall mount to a standard ceiling electrical box and extend no more than 2¾" from ceiling.

Heater to deliver 1250 Watts of fan-forced heat from a chrome alloy, wire element. Heater to have automatic overheat protection. Fan motor to be permanently lubricated.

Heater shall be U.L. Listed.



NuTone, Inc., Madison and Red Bank Roads, Cincinnati, OH 45227 (1-888-336-6151)
Product specifications subject to change without notice

REFERENCE	QTY.	REMARKS	Project
			Location
			Architect
			Engineer
			Contractor
			Submitted by Date