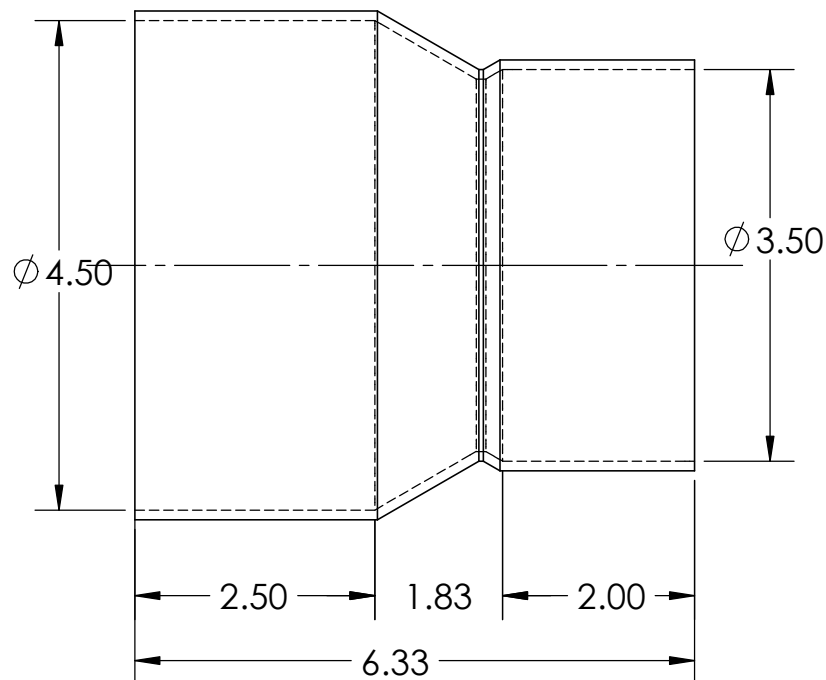


REVISIONS			
REV.	DESCRIPTION	DATE	APPROVED
A	NEW IPEX FORMAT	3/1/2016	SH



PART NUMBER: 078407

DESCRIPTION: SW4030 4"x3" CONDUIT

ALL DIMENSIONS ARE APPROXIMATE

THIS PRINT DISCLOSES SUBJECT MATTER IN WHICH IPEX USA LLC HAS PROPRIETARY RIGHTS. THE RECEIPT OR POSSESSION OF THIS PRINT DOES NOT CONFER, TRANSFER, OR LICENSE THE USE OF THE DESIGN OR TECHNICAL INFORMATION SHOWN HEREIN. REPRODUCTION OF THIS PRINT OR ANY INFORMATION CONTAINED HEREIN OR MANUFACTURE OF ANY ARTICLE HEREFROM, FOR THE DISCLOSURE TO OTHERS IS FORBIDDEN, EXCEPT BY SPECIFIC WRITTEN PERMISSION FROM IPEX USA LLC.

NOTES EXCEPT AS SPECIFIED 1. DIMENSIONS IN INCHES. 2. DO NOT SCALE DRAWING. 3. TOLERANCES: .XX = ± .XXX = ± ANGLES = ±			<b>IPEX USA LLC</b>	
			REDUCER HxH 1 & 2 STEP	
DWG. BY/DATE SH 3/1/2016	SIZE A	WEIGHT	DWG NO. 32-1	REV A
APPD BY/DATE	SCALE 1:8	NEXT ASSY	SHEET 1 OF 1	