

THIS ITEM IS FABRICATED AND AS SUCH MAY HAVE VARYING DIMENSIONS  
DUE TO DIFFERENT MANUFACTURING PROCESSES

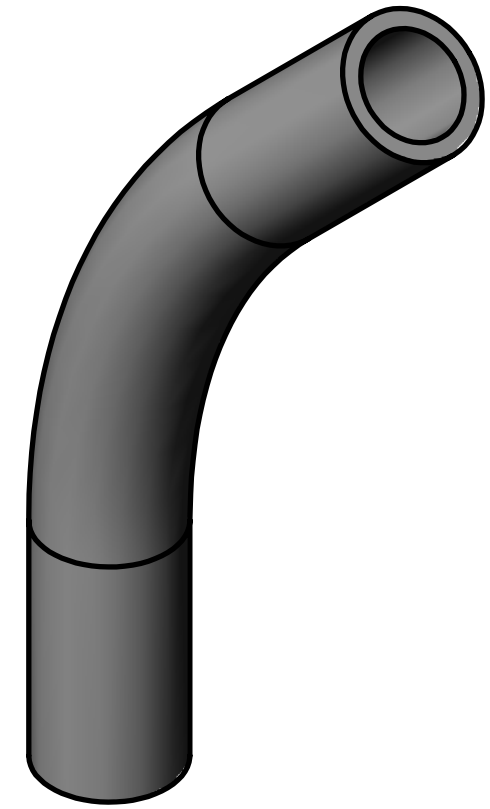
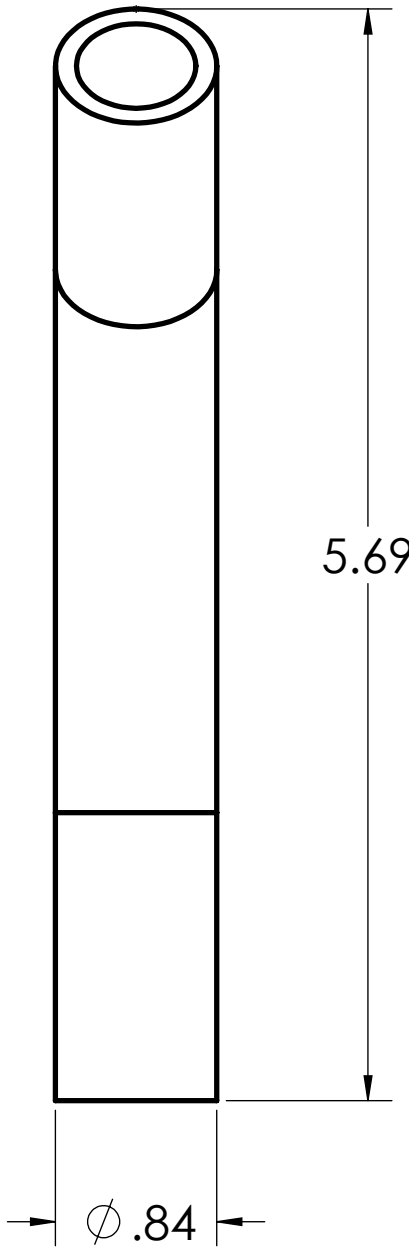
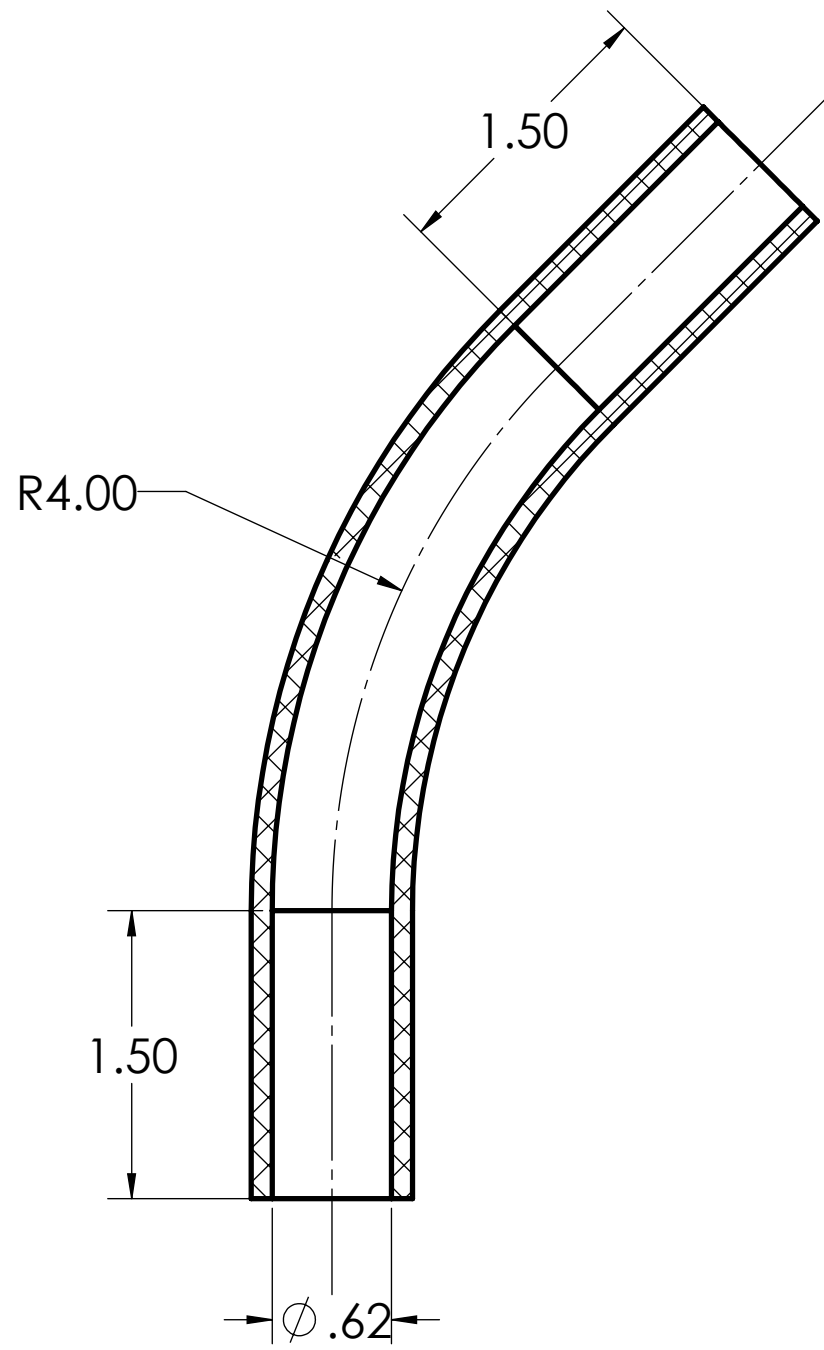
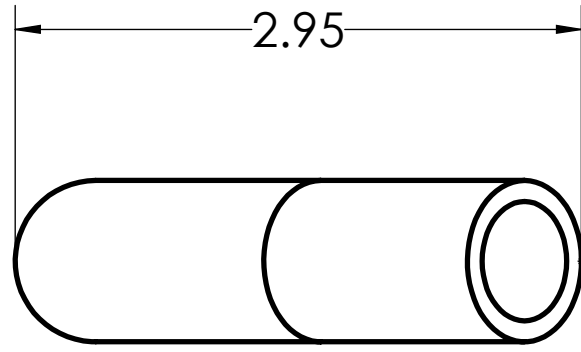
DIMENSIONS SHOWN ARE FOR REFERENCE AND ARE SUBJECT TO CHANGE  
WITHOUT NOTICE

**Kraloy, a Division of Multi Fittings Corp.**  
under license

*PART DESCRIPTION*  
40STD0545 1/2"x45D PVC STD ELBOW SPxSP SCH40 KRALOY

<i>PRODUCT CODE:</i> 078552	<i>UNIT: INCHES UNLESS DUAL DIMENSION: INCH [METRIC]</i>	<i>SCALE:</i> NTS
--------------------------------	--	----------------------

*DRAWN:* A.R.



THIS ITEM IS FABRICATED AND AS SUCH MAY HAVE VARYING DIMENSIONS  
DUE TO DIFFERENT MANUFACTURING PROCESSES

DIMENSIONS SHOWN ARE FOR REFERENCE AND ARE SUBJECT TO CHANGE  
WITHOUT NOTICE

**Kraloy, a Division of Multi Fittings Corp.**  
under license

PART DESCRIPTION  
40STD0545 1/2"x45D PVC STD ELBOW SPxSP SCH40 KRALOY

PRODUCT CODE:  
078552

UNIT: INCHES UNLESS  
DUAL DIMENSION: INCH [METRIC]

SCALE:  
NTS

DRAWN: A.R.