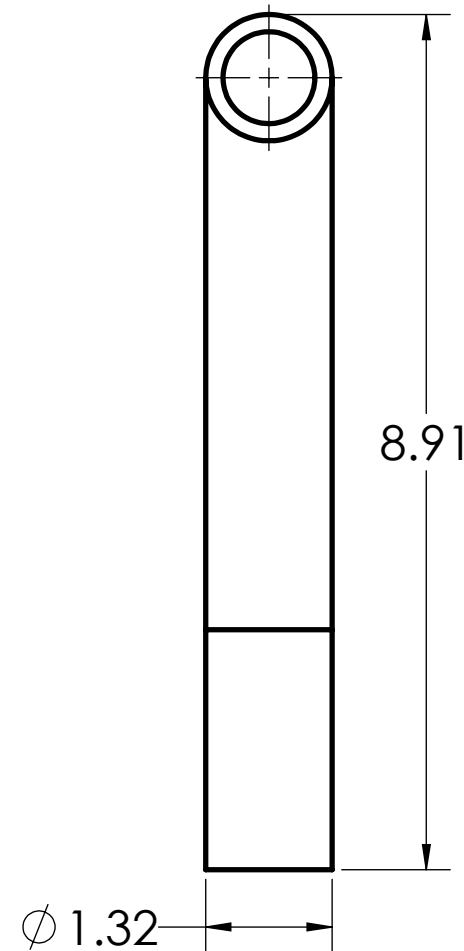
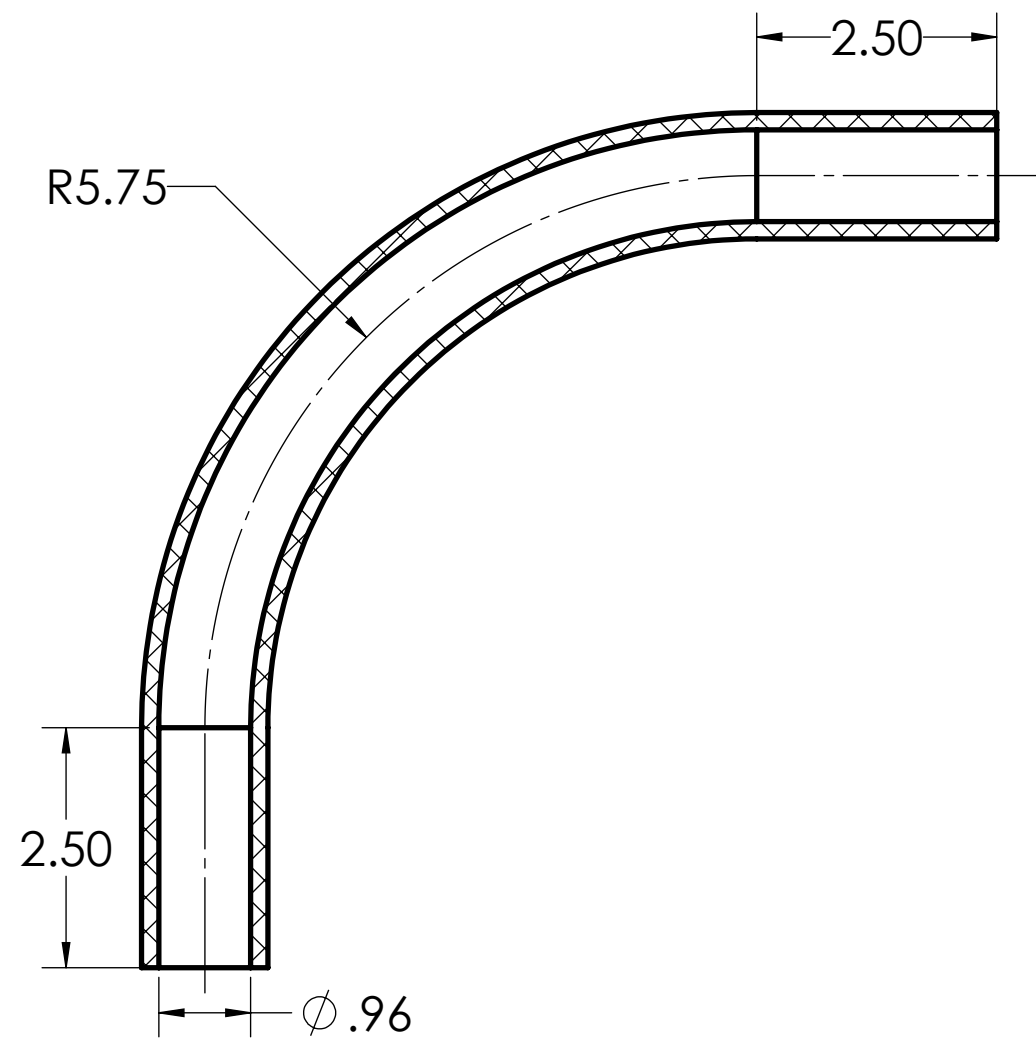
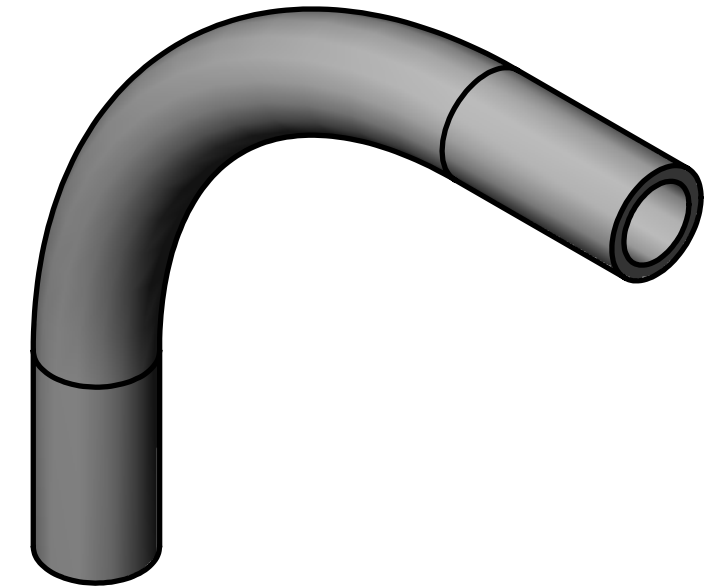
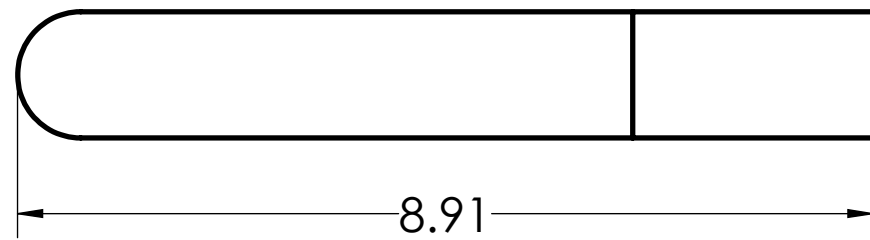


THIS ITEM IS FABRICATED AND AS SUCH MAY HAVE VARYING DIMENSIONS DUE TO DIFFERENT MANUFACTURING PROCESSES		
DIMENSIONS SHOWN ARE FOR REFERENCE AND ARE SUBJECT TO CHANGE WITHOUT NOTICE		
<b>IPEX Technologies Inc.</b>		
<i>PART DESCRIPTION</i> 80STD1090 1"x90D PVC STD ELBOW SPxSP SCH80 KRALOY		
<i>PRODUCT CODE:</i> 078622	<i>UNIT: INCHES UNLESS</i> <i>DUAL DIMENSION: INCH [METRIC]</i>	<i>SCALE:</i> NTS
<i>DRAWN:</i> A.R.		



THIS ITEM IS FABRICATED AND AS SUCH MAY HAVE VARYING DIMENSIONS DUE TO DIFFERENT MANUFACTURING PROCESSES		
DIMENSIONS SHOWN ARE FOR REFERENCE AND ARE SUBJECT TO CHANGE WITHOUT NOTICE		
<b>IPEX Technologies Inc.</b>		
<i>PART DESCRIPTION</i> 80STD1090 1"x90D PVC STD ELBOW SPxSP SCH80 KRALOY		
<i>PRODUCT CODE:</i> 078622	<i>UNIT: INCHES UNLESS DUAL DIMENSION: INCH [METRIC]</i>	<i>SCALE:</i> NTS
<i>DRAWN:</i> A.R.		