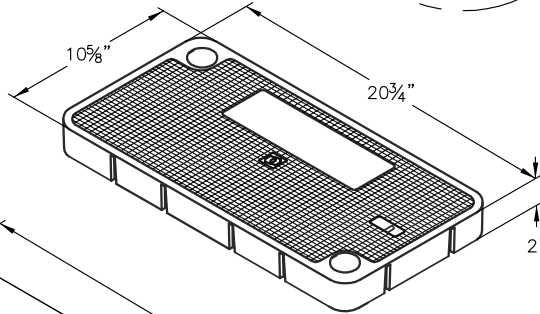


- Etched polypropylene face
- Face anchored in concrete
- Ultra-violet inhibitor
- Exceeds ASTM-D1693 Standards for Environmental Stress Cracking Resistance

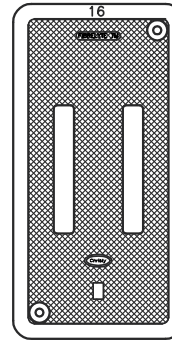
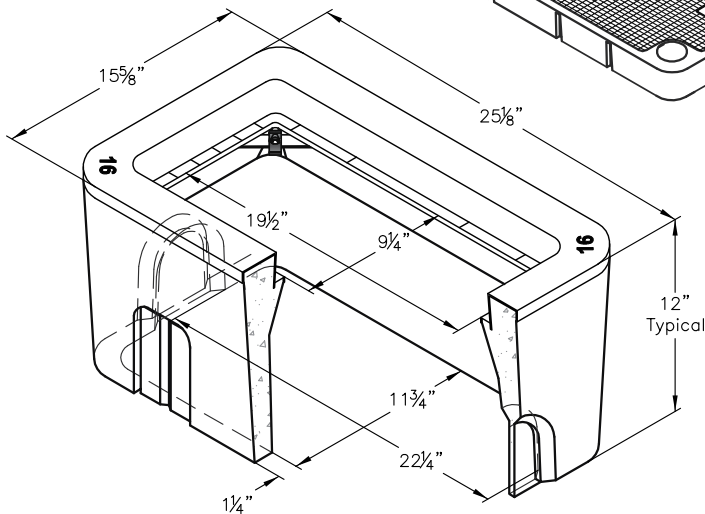
Cast-In Bolt Down Bracket

N90 Clip, For Bolt Down Application

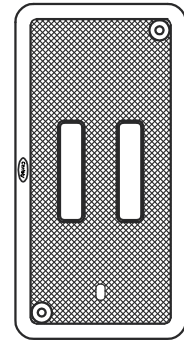
**R-Series Composite Lid  
No. N16R  
32 lbs.**



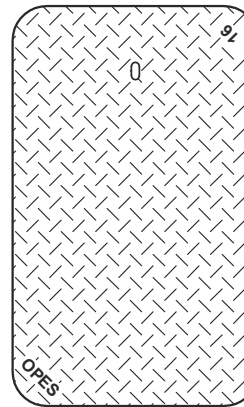
**Electrical Box  
No. N16 BOX  
112 lbs.**



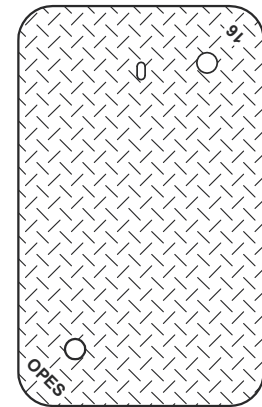
**N16J**



**FL16T**



**B16-61D**



**N16-61J**

A high density reinforced concrete box with non-settling shoulders positioned to maintain grade and facilitate back filling. Approximate dimensions and weight shown.

Oldcastle Ordering Code	Item	Approx. Shipping Weight	Description
N16BOX	BOX	112 lbs.	N16 Electrical Box (11 <sup>3</sup> / <sub>4</sub> " x 22 <sup>1</sup> / <sub>4</sub> ") – 20 per pallet
N16R	LID	32 lbs.	R-Series Composite Lid with Polypropylene Ring (Order N90 Bolt Down Kit Separately)
FL16T	LID	13 lbs.	Fibrelite Lid, Non-Concrete Bolt Down (Order N90 Bolt Down Kit Separately)
N16J	LID	36 lbs.	Cast Iron Lid Bolt Down (Order N90 Bolt down Kit Separately)
B16-61D	COVER	28 lbs.	Steel Checker Plate Cover
N16-61J	COVER	28 lbs.	Steel Checker Plate Cover, Bolt Down (Order N90 Bolt Down Kit Separately)
B16X12	EXTENSION	113 lbs.	12" Reinforced Concrete Box Extension – 20 per pallet
B30SL	SLAB	52 lbs.	Reinforced Concrete Slab (16" x 28")

Galvanizing available on all steel covers.



Phone: (800) 486-7070 Fax: (800) 486-6804  
Copyright © 2011 Oldcastle Precast Inc.

**N16 BOX**

FILE NAME: N16\_ISO

ISSUE DATE: January, 2011

[www.oldcastleprecast.com](http://www.oldcastleprecast.com)

**N16 ELECTRICAL BOX**

**11-3/4" x 22-1/4"**

