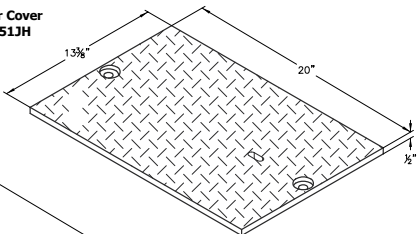


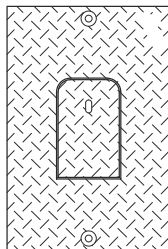
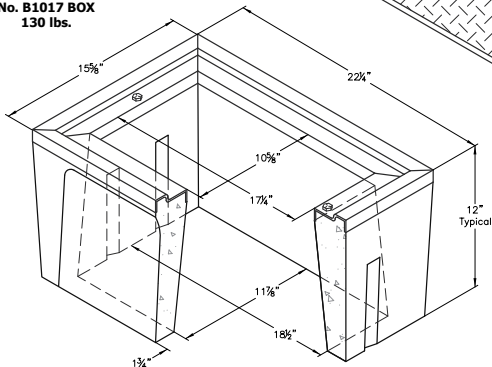
TRAFFIC UTILITY & TRAFFIC VALVE BOXES

Traffic Box
Caltrans No. 3-1/2T State Specs

Steel Checker Cover
No. B1017-51JH
44 lbs.



Traffic Box
No. B1017 BOX
130 lbs.



B1017-51GH

A high density reinforced concrete box with non-setting shoulders positioned to maintain grade and facilitate back filling. Hex-Head Bolts are included with Box. Approximate dimensions and weight shown.

Oldcastle Ordering Code	Item	Approx. Shipping Weight	Description
B1017BOX	BOX	130 lbs.	B1017 Utility Box (10 5/8" x 17 1/4") H/20 Loading w/ Bolts - 20 per pallet
B1017-51JH	COVER	44 lbs.	Steel Checker Plate, H/20, Bolt Down
B1017-51JHG	COVER	90 lbs.	Galvanized Steel Checker Plate, H/20, Bolt Down (black in color)
B1017-51GH	COVER	46 lbs.	Steel Checker Plate, H/20 with 5" x 8" Reading Lid (silver in color)
B1017x12	EXTENSION	129 lbs.	12" Reinforced Concrete H/20 Loading - 20 per pallet
B9SL	SLAB	32 lbs.	Reinforced Concrete (13-1/4" x 19-3/4")

Galvanizing available on all steel covers.

 **Oldcastle** Enclosure Solutions

Phone: (800) 735-5566 Fax: (800) 486 6806

Copyright © 2017 Oldcastle, Inc.

B1017 BOX

FILE NAME: B1017_ISO

ISSUE DATE: January, 2011

OldcastleEnclosures.com

B1017 BOX H/20 LOADING
10-5/8" x 17-1/4"

CHRISTY