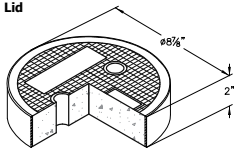


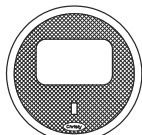
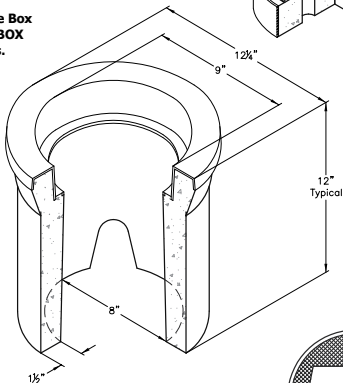
UTILITY & VALVE BOXES

- Etched polypropylene face
- Face anchored in concrete
- Ultra-violet inhibitor
- Exceeds ASTM-D1693 Standards for Environmental Stress Cracking Resistance

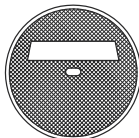
**Reinforced Concrete Lid
No. F08R
8 lbs.**



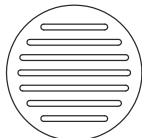
**Curb Valve Box
No. F08 BOX
34 lbs.**



FLO8D



F08C



V01-71C

A high density reinforced concrete box with non-setting shoulders positioned to maintain grade and facilitate back filling. Approximate dimensions and weight shown.

Oldcastle Ordering Code	Item	Approx. Shipping Weight	Description
F08BOX	BOX	34 lbs.	F08 Curb Valve Box (8" I.D. x 12" High) - 48 per pallet
F08R	LID	8 lbs.	Reinforced Concrete Lid with Plastic Ring
F08C	LID	8 lbs.	Cast Iron Lid
FLO8D	LID	2 lbs.	Fibrelyte Lid, Non-Concrete
V01-71C	LID	12 lbs.	Cast Iron Grate ADA Compliant

Oldcastle Enclosure Solutions

Phone: (800) 735-5566 Fax: (800) 486 6806
Copyright © 2017 Oldcastle, Inc.

F08 BOX

FILE NAME: F08_ISO

ISSUE DATE: January, 2011

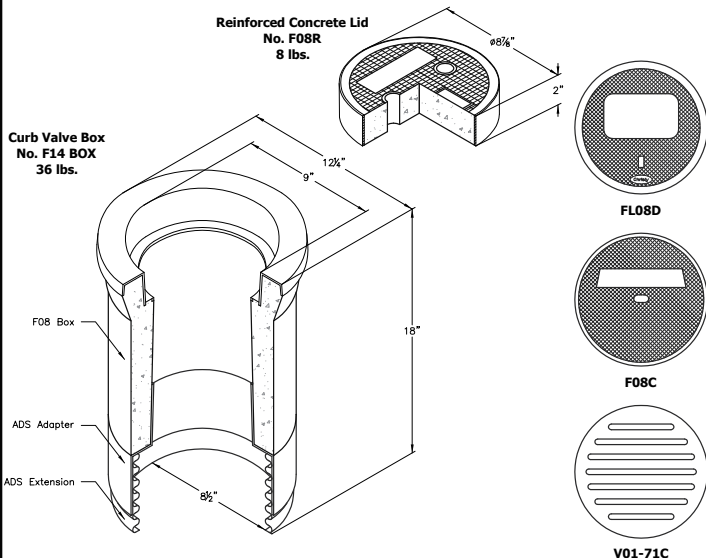
OldcastleEnclosures.com

**F08 CURB VALVE BOX
8" I.D. x 12"**

CHRISTY

UTILITY & VALVE BOXES

- Etched polypropylene face
- Face anchored in concrete
- Ultra-violet inhibitor
- Exceeds ASTM-D1693 Standards for Environmental Stress Cracking Resistance



A high density reinforced concrete box with non-settling shoulders positioned to maintain grade and facilitate back filling. Approximate dimensions and weight shown.

Oldcastle Ordering Code	Item	Approx. Shipping Weight	Description
F08BOX	BOX	34 lbs.	F08 concrete box (to make F14 add ADS Extension and Adapter)
F08R	LID	8 lbs.	Reinforced Concrete Lid with Plastic Ring
F08C	LID	8 lbs.	Cast Iron Lid
FL08D	LID	2 lbs.	Fibrelyte Lid, Non-Concrete
V01-71C	LID	12 lbs.	Cast Iron Grate ADA Compliant
F08XAD	ADAPTER	1 lbs.	ADS Snap Adapter
F14XP6	EXTENSION	1 lbs.	ADS 6" Plastic Extension
F08XP120	EXTENSION	11 lbs.	ADS 10" Plastic Extension



Oldcastle Enclosure Solutions

Phone: (800) 735-5566 Fax: (800) 486 6806

Copyright© 2017 Oldcastle, Inc.

F14 BOX

FILE NAME: F14_JS0

ISSUE DATE: January, 2011

OldcastleEnclosures.com

F14 CURB VALVE BOX

8" I.D. x 18"

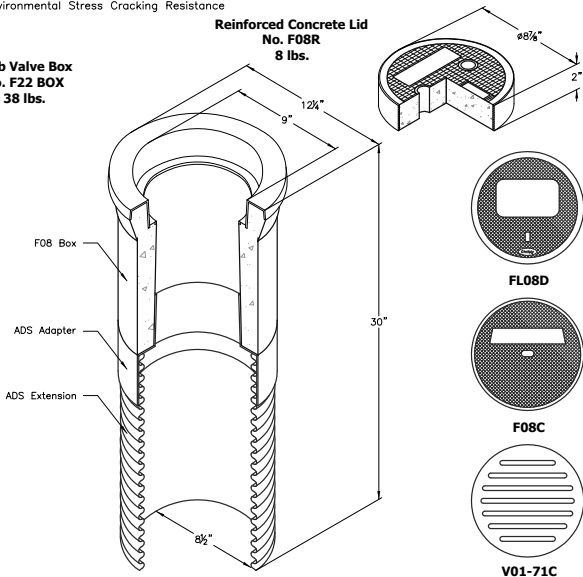
CHRISTY

UTILITY & VALVE BOXES

- Etched polypropylene face
- Face anchored in concrete
- Ultra-violet inhibitor
- Exceeds ASTM-D1693 Standards for Environmental Stress Cracking Resistance

Curb Valve Box No. F22 BOX 38 lbs.

Reinforced Concrete Lid No. F08R 8 lbs.



A high density reinforced concrete box with non-settling shoulders positioned to maintain grade and facilitate back filling. Approximate dimensions and weight shown.

Oldcastle Ordering Code	Item	Approx. Shipping Weight	Description
F08BOX	BOX	38 lbs.	F08 concrete box (to make F22 add ADS Extension and Adapter)
F08R	LID	8 lbs.	Reinforced Concrete Lid with Plastic Ring
F08C	LID	8 lbs.	Cast Iron Lid
FL08D	LID	2 lbs.	Fibrelite Lid, Non-Concrete
V01-71C	LID	12 lbs.	Cast Iron Lid ADA Compliant
F08XAD	ADAPTER	1 lbs.	ADS Snap Adapter
F22XP18	EXTENSION	3 lbs.	ADS 18" Plastic Extension
F08XP120	EXTENSION	11 lbs.	ADS 10' Plastic Extension

 **Oldcastle**® Enclosure Solutions

Phone: (800) 735-5566 Fax: (800) 486 6806
Copyright© 2017 Oldcastle, Inc.

F22 BOX

FILE NAME: F22_JS0

ISSUE DATE: January, 2011

OldcastleEnclosures.com

F22 CURB VALVE BOX 8" I.D. x 30"

CHRISTY™