

Type 12/13 Panel Enclosures

JIC Enclosures

Type 12 Continuous Hinge Cover

Data Sheet



Type 12/13 Panel Encl.

Application

- Houses electrical controls and instruments
- Protects against circulating dust, falling dirt and dripping non-corrosive liquids

Standards

- UL 508 listed, Type 12 and Type 13
- CSA C22.2 No.94 certified, Type 12 and Type 13
- Conforms to NEMA standard for Type 12 and Type 13
- Conforms to JIC standard EGP-1-1967

Finish

- Wash and phosphate undercoat
- ANSI 61 gray polyester powder finish
- Hardware and clamps are zinc plated

Accessories

- Panels
- JIC terminal strap kit
- JIC terminal strip kit
- Terminal blocks
- Touch-up paint
- #8-32 self tapping screw (10168)
- See Accessories section

Construction

- Enclosure and cover are fabricated from (16) gauge steel
- All continuous welded seams are finished smooth
- Cover is secured to the body with a continuous hinge on one side and easy-to-operate screw clamps mounted to the opposite side
- Cover has a seamless poured in-place gasket
- Ground stud provided on cover
- #10-32 weldnuts are provided for mounting optional panel on 6" x 4" and larger enclosures
- External mounting feet are provided for secure wall mounting

Discount Schedule: C2

Subclass: DE0

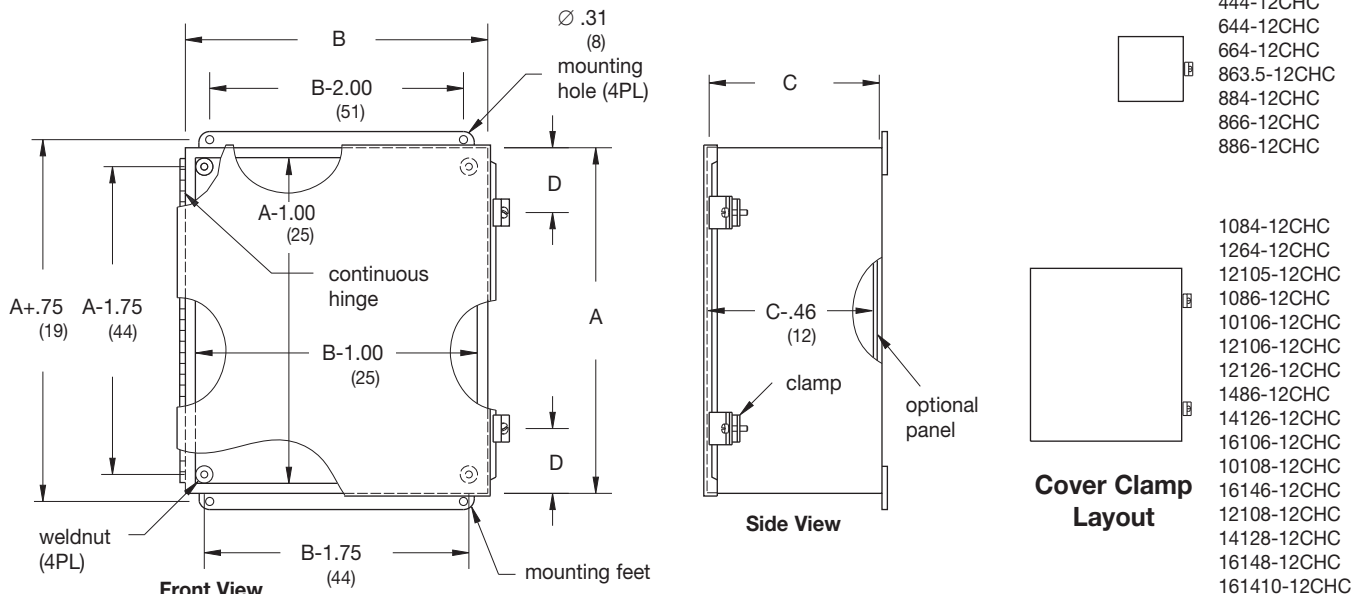
Notes: Cooper B-Line can provide special sizes, finishes and other modifications. Consult the factory for your special requirements.

Type 12 / 13 Panel Enclosures

JIC Enclosures Type 12 Continuous Hinge Cover Illustration Sheet and Catalog Number

Enclosure Catalog Number	Enclosure Size Height x Width x Depth A x B x C		D		Panel Catalog Number		Panel Size Height x Width	
	in.	mm	in.	mm	Solid	Perforated	in.	mm
443-12CHC	4.00 x 4.00 x 3.00	102 x 102 x 76	2.00	51	--	--	--	--
643-12CHC	6.00 x 4.00 x 3.00	152 x 102 x 76	3.00	76	AW64P	AW64PP	4.87 x 2.87	124 x 73
863.5-12CHC	8.00 x 6.00 x 3.50	203 x 152 x 89	4.00	102	AW86P	AW86PP	6.87 x 4.87	174 x 124
444-12CHC	4.00 x 4.00 x 4.00	102 x 102 x 102	2.00	51	--	--	--	--
644-12CHC	6.00 x 4.00 x 4.00	152 x 102 x 102	3.00	76	AW64P	AW64PP	4.87 x 2.87	124 x 76
664-12CHC	6.00 x 6.00 x 4.00	152 x 152 x 102	3.00	76	AW66P	AW66PP	4.87 x 4.87	124 x 124
884-12CHC	8.00 x 8.00 x 4.00	203 x 203 x 102	4.00	102	AW88P	AW88PP	6.87 x 6.87	174 x 174
1084-12CHC	10.00 x 8.00 x 4.00	254 x 203 x 102	2.00	51	AW108P	AW108PP	8.87 x 6.87	225 x 174
1084-12CHCS	10.00 x 8.00 x 4.00	254 x 203 x 102	2.00	51	AW108P	AW108PP	8.87 x 6.87	225 x 174
1264-12CHC	12.00 x 6.00 x 4.00	305 x 152 x 102	3.00	76	AW126P	AW126PP	10.87 x 4.87	272 x 124
12105-12CHC	12.00 x 10.00 x 5.00	305 x 254 x 127	3.00	76	AW1210P	AW1210PP	10.87 x 8.87	272 x 225
12105-12CHCS	12.00 x 10.00 x 5.00	305 x 254 x 127	3.00	76	AW1210P	AW1210PP	10.87 x 8.87	272 x 225
866-12CHC	8.00 x 6.00 x 6.00	203 x 152 x 152	4.00	102	AW86P	AW86PP	6.87 x 4.87	174 x 124
886-12CHC	8.00 x 8.00 x 6.00	203 x 203 x 152	4.00	102	AW88P	AW88PP	6.87 x 6.87	174 x 174
1086-12CHC	10.00 x 8.00 x 6.00	254 x 203 x 152	2.00	51	AW108P	AW108PP	8.87 x 6.87	225 x 174
10106-12CHC	10.00 x 10.00 x 6.00	254 x 254 x 152	2.00	51	AW1010P	AW1010PP	8.87 x 8.87	225 x 225
12106-12CHC	12.00 x 10.00 x 6.00	305 x 254 x 152	3.00	76	AW1210P	AW1210PP	10.87 x 8.87	272 x 225
12126-12CHC	12.00 x 12.00 x 6.00	305 x 305 x 152	3.00	76	AW1212P	AW1212PP	10.87 x 10.87	272 x 272
1486-12CHC	14.00 x 8.00 x 6.00	356 x 203 x 152	3.00	76	AW148P	AW148PP	12.87 x 6.87	327 x 174
14126-12CHC	14.00 x 12.00 x 6.00	356 x 305 x 152	3.00	76	AW1412P	AW1412PP	12.87 x 10.87	327 x 272
14126-12CHCS	14.00 x 12.00 x 6.00	356 x 305 x 152	3.00	76	AW1412P	AW1412PP	12.87 x 10.87	327 x 272
16106-12CHC	16.00 x 10.00 x 6.00	406 x 254 x 152	3.00	76	AW1610P	AW1610PP	14.87 x 8.87	378 x 225
16146-12CHC	16.00 x 14.00 x 6.00	406 x 356 x 152	3.00	76	AW1614P	AW1614PP	14.87 x 12.87	378 x 327
16146-12CHCS	16.00 x 14.00 x 6.00	406 x 356 x 152	3.00	76	AW1614P	AW1614PP	14.87 x 12.87	378 x 327
10108-12CHC	10.00 x 10.00 x 8.00	254 x 254 x 203	2.00	51	AW1010P	AW1010PP	8.87 x 8.87	225 x 225
12108-12CHC	12.00 x 10.00 x 8.00	305 x 254 x 203	3.00	76	AW1210P	AW1210PP	10.87 x 8.87	272 x 225
14128-12CHC	14.00 x 12.00 x 8.00	356 x 305 x 203	3.00	76	AW1412P	AW1412PP	12.87 x 10.87	327 x 272
16148-12CHC	16.00 x 14.00 x 8.00	406 x 356 x 203	3.00	76	AW1614P	AW1614PP	14.87 x 12.87	378 x 327
161410-12CHC	16.00 x 14.00 x 10.00	406 x 356 x 254	3.00	76	AW1614P	AW1614PP	14.87 x 12.87	378 x 327

Note: Catalog numbers ending in -12 CHCS are hinged on the short side.



Notes: Dimensions are in inches. Millimeters shown are for reference only. Data subject to change without notice.

Type 12/13 Panel Encl.

443-12CHC
643-12CHC
444-12CHC
644-12CHC
664-12CHC
863.5-12CHC
884-12CHC
866-12CHC
886-12CHC

1084-12CHC
1264-12CHC
12105-12CHC
1086-12CHC
10106-12CHC
12106-12CHC
12126-12CHC
1486-12CHC
14126-12CHC
16106-12CHC
10108-12CHC
16146-12CHC
12108-12CHC
14128-12CHC
16148-12CHC
161410-12CHC

Type 12/13 Panel Enclosures

JIC Enclosures

Type 12 Continuous Hinge Cover

Data Sheet



Type 12/13 Panel Encl.

Application

- Houses electrical controls and instruments
- Protects against circulating dust, falling dirt and dripping non-corrosive liquids

Standards

- UL 508 listed, Type 12 and Type 13
- CSA C22.2 No.94 certified, Type 12 and Type 13
- Conforms to NEMA standard for Type 12 and Type 13
- Conforms to JIC standard EGP-1-1967

Finish

- Wash and phosphate undercoat
- ANSI 61 gray polyester powder finish
- Hardware and clamps are zinc plated

Accessories

- Panels
- JIC terminal strap kit
- JIC terminal strip kit
- Terminal blocks
- Touch-up paint
- #8-32 self tapping screw (10168)
- See Accessories section

Construction

- Enclosure and cover are fabricated from (16) gauge steel
- All continuous welded seams are finished smooth
- Cover is secured to the body with a continuous hinge on one side and easy-to-operate screw clamps mounted to the opposite side
- Cover has a seamless poured in-place gasket
- Ground stud provided on cover
- #10-32 weldnuts are provided for mounting optional panel on 6" x 4" and larger enclosures
- External mounting feet are provided for secure wall mounting

Discount Schedule: C2

Subclass: DE0

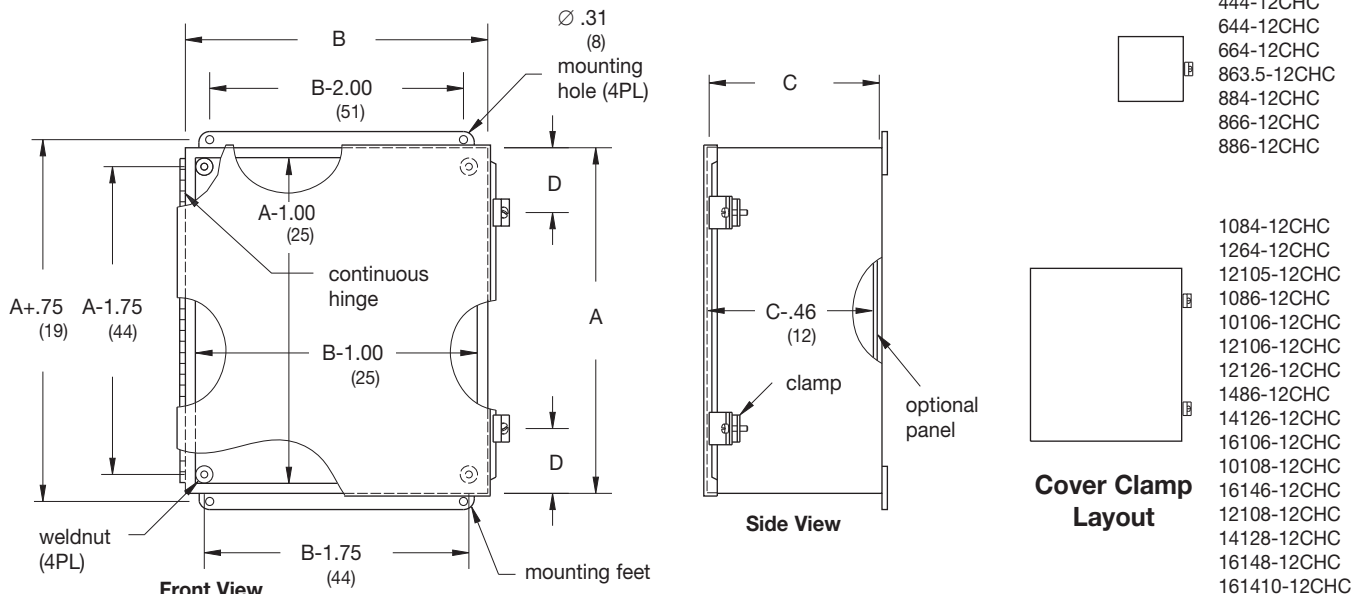
Notes: Cooper B-Line can provide special sizes, finishes and other modifications. Consult the factory for your special requirements.

Type 12 / 13 Panel Enclosures

JIC Enclosures Type 12 Continuous Hinge Cover Illustration Sheet and Catalog Number

Enclosure Catalog Number	Enclosure Size Height x Width x Depth A x B x C		D		Panel Catalog Number		Panel Size Height x Width	
	in.	mm	in.	mm	Solid	Perforated	in.	mm
443-12CHC	4.00 x 4.00 x 3.00	102 x 102 x 76	2.00	51	--	--	--	--
643-12CHC	6.00 x 4.00 x 3.00	152 x 102 x 76	3.00	76	AW64P	AW64PP	4.87 x 2.87	124 x 73
863.5-12CHC	8.00 x 6.00 x 3.50	203 x 152 x 89	4.00	102	AW86P	AW86PP	6.87 x 4.87	174 x 124
444-12CHC	4.00 x 4.00 x 4.00	102 x 102 x 102	2.00	51	--	--	--	--
644-12CHC	6.00 x 4.00 x 4.00	152 x 102 x 102	3.00	76	AW64P	AW64PP	4.87 x 2.87	124 x 76
664-12CHC	6.00 x 6.00 x 4.00	152 x 152 x 102	3.00	76	AW66P	AW66PP	4.87 x 4.87	124 x 124
884-12CHC	8.00 x 8.00 x 4.00	203 x 203 x 102	4.00	102	AW88P	AW88PP	6.87 x 6.87	174 x 174
1084-12CHC	10.00 x 8.00 x 4.00	254 x 203 x 102	2.00	51	AW108P	AW108PP	8.87 x 6.87	225 x 174
1084-12CHCS	10.00 x 8.00 x 4.00	254 x 203 x 102	2.00	51	AW108P	AW108PP	8.87 x 6.87	225 x 174
1264-12CHC	12.00 x 6.00 x 4.00	305 x 152 x 102	3.00	76	AW126P	AW126PP	10.87 x 4.87	272 x 124
12105-12CHC	12.00 x 10.00 x 5.00	305 x 254 x 127	3.00	76	AW1210P	AW1210PP	10.87 x 8.87	272 x 225
12105-12CHCS	12.00 x 10.00 x 5.00	305 x 254 x 127	3.00	76	AW1210P	AW1210PP	10.87 x 8.87	272 x 225
866-12CHC	8.00 x 6.00 x 6.00	203 x 152 x 152	4.00	102	AW86P	AW86PP	6.87 x 4.87	174 x 124
886-12CHC	8.00 x 8.00 x 6.00	203 x 203 x 152	4.00	102	AW88P	AW88PP	6.87 x 6.87	174 x 174
1086-12CHC	10.00 x 8.00 x 6.00	254 x 203 x 152	2.00	51	AW108P	AW108PP	8.87 x 6.87	225 x 174
10106-12CHC	10.00 x 10.00 x 6.00	254 x 254 x 152	2.00	51	AW1010P	AW1010PP	8.87 x 8.87	225 x 225
12106-12CHC	12.00 x 10.00 x 6.00	305 x 254 x 152	3.00	76	AW1210P	AW1210PP	10.87 x 8.87	272 x 225
12126-12CHC	12.00 x 12.00 x 6.00	305 x 305 x 152	3.00	76	AW1212P	AW1212PP	10.87 x 10.87	272 x 272
1486-12CHC	14.00 x 8.00 x 6.00	356 x 203 x 152	3.00	76	AW148P	AW148PP	12.87 x 6.87	327 x 174
14126-12CHC	14.00 x 12.00 x 6.00	356 x 305 x 152	3.00	76	AW1412P	AW1412PP	12.87 x 10.87	327 x 272
14126-12CHCS	14.00 x 12.00 x 6.00	356 x 305 x 152	3.00	76	AW1412P	AW1412PP	12.87 x 10.87	327 x 272
16106-12CHC	16.00 x 10.00 x 6.00	406 x 254 x 152	3.00	76	AW1610P	AW1610PP	14.87 x 8.87	378 x 225
16146-12CHC	16.00 x 14.00 x 6.00	406 x 356 x 152	3.00	76	AW1614P	AW1614PP	14.87 x 12.87	378 x 327
16146-12CHCS	16.00 x 14.00 x 6.00	406 x 356 x 152	3.00	76	AW1614P	AW1614PP	14.87 x 12.87	378 x 327
10108-12CHC	10.00 x 10.00 x 8.00	254 x 254 x 203	2.00	51	AW1010P	AW1010PP	8.87 x 8.87	225 x 225
12108-12CHC	12.00 x 10.00 x 8.00	305 x 254 x 203	3.00	76	AW1210P	AW1210PP	10.87 x 8.87	272 x 225
14128-12CHC	14.00 x 12.00 x 8.00	356 x 305 x 203	3.00	76	AW1412P	AW1412PP	12.87 x 10.87	327 x 272
16148-12CHC	16.00 x 14.00 x 8.00	406 x 356 x 203	3.00	76	AW1614P	AW1614PP	14.87 x 12.87	378 x 327
161410-12CHC	16.00 x 14.00 x 10.00	406 x 356 x 254	3.00	76	AW1614P	AW1614PP	14.87 x 12.87	378 x 327

Note: Catalog numbers ending in -12 CHCS are hinged on the short side.



Notes: Dimensions are in inches. Millimeters shown are for reference only. Data subject to change without notice.