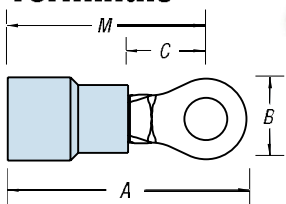


Ring Terminals

Extra-length PVC sleeve offers extra protection.

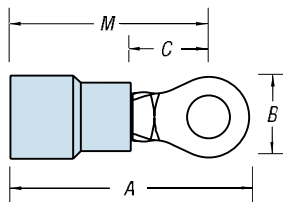
Vinyl-Insulated Ring Terminals



CAT. NO.	PKG. QTY.	WIRE RANGE	MAX. INS.	BOLT HOLE	REC. TOOL	DIMENSIONS				STOCK THICK.
						A	B	C	M	
18RA-4	100	22-16	.150	#4		.97	.31	.27	.81	.03
RA77	1,000	22-16	.150	#4		.97	.31	.27	.81	
18RA-6	100	22-16	.150	#6		.94	.25	.27	.81	
RA857	1,000	22-16	.150	#6		.94	.25	.27	.81	
18RA-8	100	22-16	.150	#8		.97	.31	.27	.81	
RA867	1,000	22-16	.150	#8		.97	.31	.27	.81	
18RA-10	100	22-16	.150	#10		.97	.31	.27	.81	
RA877	1,000	22-16	.150	#10		.97	.31	.27	.81	
18RA-14	100	22-16	.150	1/4"		1.13	.50	.37	.88	
RA717	1,000	22-16	.150	1/4"		1.13	.50	.37	.88	
18RA-516	100	22-16	.150	5/16"		1.13	.50	.37	.88	
RA727	1,000	22-16	.150	5/16"		1.13	.50	.37	.88	
18RA-38	100	22-16	.150	3/8"		1.24	.54	.37	.91	
RA737	1,000	22-16	.150	3/8"		1.24	.54	.37	.91	
14RB-4	100	18-14	.170	#4	ERG4001	.94	.25	.27	.81	.03
RB1327	1,000	18-14	.170	#4		.94	.25	.27	.81	
14RB-6	100	18-14	.170	#6		.97	.31	.27	.81	
RB857	1,000	18-14	.170	#6		.97	.31	.27	.81	
14RB-8	100	18-14	.170	#8		.97	.31	.27	.81	
RB867	1,000	18-14	.170	#8		.97	.31	.27	.81	
14RB-10	100	18-14	.170	#10		.97	.31	.27	.81	
RB877	1,000	18-14	.170	#10		.97	.31	.27	.81	
14RB-14	100	18-14	.170	1/4"		1.14	.50	.38	.89	
RB717	1,000	18-14	.170	1/4"		1.14	.50	.38	.89	
14RB-516	100	18-14	.170	5/16"		1.15	.50	.38	.89	
RB727	1,000	18-14	.170	5/16"		1.15	.50	.38	.89	
14RB-38	100	18-14	.170	3/8"		1.16	.54	.38	.91	
RB737	1,000	18-14	.170	3/8"		1.16	.54	.38	.91	
10RC-6	50	12-10	.210	#6		1.06	.31	.27	.90	.04
RC337	500	12-10	.210	#6		1.06	.31	.27	.90	
10RC-8	50	12-10	.210	#8		1.06	.31	.27	.90	
RC777	500	12-10	.210	#8		1.06	.31	.27	.90	
10RC-10	50	12-10	.210	#10		1.06	.31	.27	.90	
RC367	500	12-10	.210	#10		1.06	.31	.27	.90	
10RC-14	50	12-10	.210	1/4"		1.16	.50	.27	.90	
RC717	500	12-10	.210	1/4"		1.16	.50	.27	.90	
10RC-516	50	12-10	.210	5/16"		1.17	.50	.37	.92	
RC707	500	12-10	.210	5/16"		1.17	.50	.37	.92	
10RC-38	50	12-10	.210	3/8"		1.29	.59	.44	.99	
RC737	500	12-10	.210	3/8"		1.29	.59	.44	.99	

A wider wire entry for heavy-wall insulation.

Vinyl-Insulated Ring Terminals — Expanded Insulation



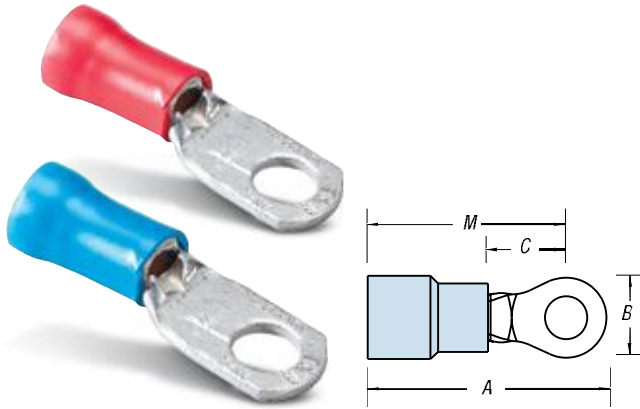
CAT. NO.	PKG. QTY.	WIRE RANGE	MAX. INS.	BOLT HOLE	REC. TOOL	DIMENSIONS				STOCK THICK.		
						A	B	C	M			
18RA-4X	100	22-16	.170	#4		.97	.31	.27	.81	.03		
18RA-6X	100	22-16	.170	#6		.97	.31	.27	.81			
18RA-8X	100	22-16	.170	#8		.97	.31	.27	.81			
18RA-38X	100	22-16	.170	3/8"		1.15	.54	.35	.90			
RA857-170	1,000	22-16	.170	#6		.97	.31	.27	.81			
RA867-170	1,000	22-16	.170	#8		.97	.31	.27	.81			
18RA-10X	1,000	22-16	.170	#10		.97	.31	.27	.81			
RA877-170	1,000	22-16	.170	#10		.97	.31	.27	.81			
18RA-14X	100	22-16	.170	1/4"		1.13	.50	.37	.88			
RA727-170	1,000	22-16	.170	5/16"		1.13	.50	.37	.88			
14RB-4X	100	18-14	.200	#4	ERG4001	.94	.25	.27	.81		.03	
14RB-6X	100	18-14	.200	#6		.97	.31	.27	.81			
RB857-200	1,000	18-14	.200	#6		.97	.31	.27	.81			
14RB-8X	100	18-14	.200	#8		.97	.31	.27	.81			
RB867-200	1,000	18-14	.200	#8		.97	.31	.27	.81			
14RB-10X	100	18-14	.200	#10		.97	.31	.27	.81			
RB877-200	1,000	18-14	.200	#10		.97	.31	.27	.81			
14RB-14X	100	18-14	.200	1/4"		1.14	.50	.38	.89			
RB717-200	1,000	18-14	.200	1/4"		1.14	.50	.38	.89			
14RB-516X	100	18-14	.200	5/16"		1.15	.50	.38	.89			
14RB-38X	100	18-14	.200	3/8"		1.16	.54	.35	.91			
10RC-6X	50	12-10	.250	#6			1.06	.31	.27	.90		.04
RC337-250	500	12-10	.250	#6			1.06	.31	.27	.90		
10RC-8X	50	12-10	.250	#8			1.06	.31	.27	.90		
RC777-250	500	12-10	.250	#8		1.06	.31	.27	.90			
10RC-10X	50	12-10	.250	#10		1.06	.31	.27	.90			
RC367-250	500	12-10	.250	#10		1.06	.31	.27	.90			
10RC-14X	50	12-10	.250	1/4"		1.16	.50	.27	.90			
RC717-250	500	12-10	.250	1/4"		1.16	.50	.27	.90			
10RC-516X	50	12-10	.250	5/16"		1.17	.50	.37	.92			
10RC-38X	50	12-10	.250	3/8"		1.29	.59	.44	.99			
RC737-250	500	12-10	.250	3/8"		1.29	.59	.44	.99			

For multiple wire combinations per UL File E9609, see page G-8.

Wire Termination — Sta-Kon® Wire Termination & Insulation

Ring Terminals

Vinyl-Insulated Large Ring Terminals



CAT. NO.	WIRE RANGE	MAX. INS.	BOLT HOLE	REC. TOOL	DIMENSIONS				STOCK THICK.
					A	B	C	M	
RDV167	8	.340	#8	ERG4007	1.48	.42	.28	1.17	.04
RDV367	8	.340	#10		1.48	.42	.28	1.17	
RDV717	8	.340	1/4"		1.54	.46	.36	1.20	
RDV727	8	.340	3/16"		1.63	.57	.36	1.23	
RDV737	8	.340	3/8"		1.63	.57	.36	1.23	
RDV757*	8	.310	1/2"	TBMGS	1.79	.82	.55	1.27	
REV267	6	.420	#10	ERG4007	1.65	.45	.28	1.23	
REV717	6	.420	1/4"		1.65	.49	.28	1.23	
REV727	6	.420	3/16"		1.76	.61	.34	1.30	
REV737	6	.420	3/8"		1.76	.61	.34	1.30	
REV757*	6	.395	1/2"		TBMGS	1.83	.82	.55	1.26

*Brazed Seam

Multiple Wire Combinations Listing per UL File E9609

TYPE (INSULATION)	WIRE RANGE (AWG) EACH SIDE
RA (Vinyl) Rings & Forks	(1) #22 (1) #22 with (1) #20
RB (Vinyl) Rings & Forks	(1) #16 with (1) #20 (2) #18 (1) #18 with (1) #20 (3) #20 (2) #20 (2) #20 with (2) #22 (1) #20 with (3) #22 (3) #22
RC (Vinyl) Rings & Forks	(1) #12 with (1) #16 (1) #14 with (1) or (2) #16 (1) #14 with (1) or (2) #18 (2) #14 (3) #16 (2) #16 (1) #16 with (3) #18 (1) #16 with (2) #18 (1) #16 with (4) #18 (1) #16 with (3) #18
RCC (Vinyl)	(1) #12 with (1) #16 (1) #14 with (1) or (2) #16 (1) #14 with (1) or (2) #18 (2) #14 (3) #16 (2) #16 (1) #16 with (3) #18 (1) #16 with (2) #18 (4) #18
RAA (Vinyl)	(2) #22 (1) #22 with (1) #20
RBB (Vinyl)	(1) #16 with (1) #20 (2) #18 (1) #18 with (1) #20 (3) #20 (2) #20 (2) #20 with (2) #22 (1) #20 with (3) #22 (3) #22

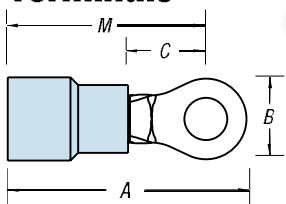
Recommended Hand Tools are WT145C and WT2000.

- No UL testing on disconnects for multiple wires
- No UL testing on nylon terminals for multiple wires
- No UL testing on non-insulated terminals for multiple wires

Ring Terminals

Extra-length PVC sleeve offers extra protection.

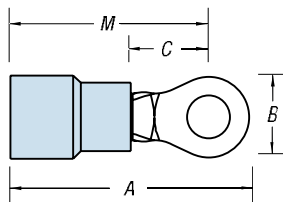
Vinyl-Insulated Ring Terminals



CAT. NO.	PKG. QTY.	WIRE RANGE	MAX. INS.	BOLT HOLE	REC. TOOL	DIMENSIONS				STOCK THICK.
						A	B	C	M	
18RA-4	100	22-16	.150	#4		.97	.31	.27	.81	.03
RA77	1,000	22-16	.150	#4		.97	.31	.27	.81	
18RA-6	100	22-16	.150	#6		.94	.25	.27	.81	
RA857	1,000	22-16	.150	#6		.94	.25	.27	.81	
18RA-8	100	22-16	.150	#8		.97	.31	.27	.81	
RA867	1,000	22-16	.150	#8		.97	.31	.27	.81	
18RA-10	100	22-16	.150	#10		.97	.31	.27	.81	
RA877	1,000	22-16	.150	#10		.97	.31	.27	.81	
18RA-14	100	22-16	.150	¼"		1.13	.50	.37	.88	
RA717	1,000	22-16	.150	¼"		1.13	.50	.37	.88	
18RA-516	100	22-16	.150	⅝"		1.13	.50	.37	.88	
RA727	1,000	22-16	.150	⅝"		1.13	.50	.37	.88	
18RA-38	100	22-16	.150	⅝"		1.24	.54	.37	.91	
RA737	1,000	22-16	.150	⅝"		1.24	.54	.37	.91	
14RB-4	100	18-14	.170	#4	ERG4001	.94	.25	.27	.81	.03
RB1327	1,000	18-14	.170	#4		.94	.25	.27	.81	
14RB-6	100	18-14	.170	#6		.97	.31	.27	.81	
RB857	1,000	18-14	.170	#6		.97	.31	.27	.81	
14RB-8	100	18-14	.170	#8		.97	.31	.27	.81	
RB867	1,000	18-14	.170	#8		.97	.31	.27	.81	
14RB-10	100	18-14	.170	#10		.97	.31	.27	.81	
RB877	1,000	18-14	.170	#10		.97	.31	.27	.81	
14RB-14	100	18-14	.170	¼"		1.14	.50	.38	.89	
RB717	1,000	18-14	.170	¼"		1.14	.50	.38	.89	
14RB-516	100	18-14	.170	⅝"		1.15	.50	.38	.89	
RB727	1,000	18-14	.170	⅝"		1.15	.50	.38	.89	
14RB-38	100	18-14	.170	⅝"		1.16	.54	.38	.91	
RB737	1,000	18-14	.170	⅝"		1.16	.54	.38	.91	
10RC-6	50	12-10	.210	#6		1.06	.31	.27	.90	.04
RC337	500	12-10	.210	#6		1.06	.31	.27	.90	
10RC-8	50	12-10	.210	#8		1.06	.31	.27	.90	
RC777	500	12-10	.210	#8		1.06	.31	.27	.90	
10RC-10	50	12-10	.210	#10		1.06	.31	.27	.90	
RC367	500	12-10	.210	#10		1.06	.31	.27	.90	
10RC-14	50	12-10	.210	¼"		1.16	.50	.27	.90	
RC717	500	12-10	.210	¼"		1.16	.50	.27	.90	
10RC-516	50	12-10	.210	⅝"		1.17	.50	.37	.92	
RC707	500	12-10	.210	⅝"		1.17	.50	.37	.92	
10RC-38	50	12-10	.210	⅝"		1.29	.59	.44	.99	
RC737	500	12-10	.210	⅝"		1.29	.59	.44	.99	

A wider wire entry for heavy-wall insulation.

Vinyl-Insulated Ring Terminals — Expanded Insulation



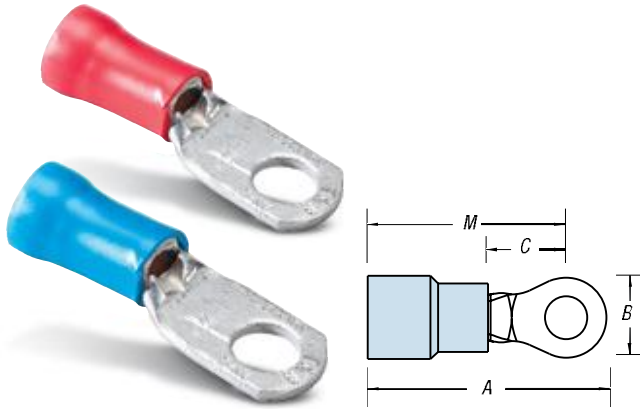
CAT. NO.	PKG. QTY.	WIRE RANGE	MAX. INS.	BOLT HOLE	REC. TOOL	DIMENSIONS				STOCK THICK.		
						A	B	C	M			
18RA-4X	100	22-16	.170	#4		.97	.31	.27	.81	.03		
18RA-6X	100	22-16	.170	#6		.97	.31	.27	.81			
18RA-8X	100	22-16	.170	#8		.97	.31	.27	.81			
18RA-38X	100	22-16	.170	⅝"		1.15	.54	.35	.90			
RA857-170	1,000	22-16	.170	#6		.97	.31	.27	.81			
RA867-170	1,000	22-16	.170	#8		.97	.31	.27	.81			
18RA-10X	1,000	22-16	.170	#10		.97	.31	.27	.81			
RA877-170	1,000	22-16	.170	#10		.97	.31	.27	.81			
18RA-14X	100	22-16	.170	¼"		1.13	.50	.37	.88			
RA727-170	1,000	22-16	.170	⅝"		1.13	.50	.37	.88			
14RB-4X	100	18-14	.200	#4	ERG4001	.94	.25	.27	.81		.03	
14RB-6X	100	18-14	.200	#6		.97	.31	.27	.81			
RB857-200	1,000	18-14	.200	#6		.97	.31	.27	.81			
14RB-8X	100	18-14	.200	#8		.97	.31	.27	.81			
RB867-200	1,000	18-14	.200	#8		.97	.31	.27	.81			
14RB-10X	100	18-14	.200	#10		.97	.31	.27	.81			
RB877-200	1,000	18-14	.200	#10		.97	.31	.27	.81			
14RB-14X	100	18-14	.200	¼"		1.14	.50	.38	.89			
RB717-200	1,000	18-14	.200	¼"		1.14	.50	.38	.89			
14RB-516X	100	18-14	.200	⅝"		1.15	.50	.38	.89			
14RB-38X	100	18-14	.200	⅝"		1.16	.54	.35	.91			
10RC-6X	50	12-10	.250	#6			1.06	.31	.27	.90		.04
RC337-250	500	12-10	.250	#6			1.06	.31	.27	.90		
10RC-8X	50	12-10	.250	#8			1.06	.31	.27	.90		
RC777-250	500	12-10	.250	#8		1.06	.31	.27	.90			
10RC-10X	50	12-10	.250	#10		1.06	.31	.27	.90			
RC367-250	500	12-10	.250	#10		1.06	.31	.27	.90			
10RC-14X	50	12-10	.250	¼"		1.16	.50	.27	.90			
RC717-250	500	12-10	.250	¼"		1.16	.50	.27	.90			
10RC-516X	50	12-10	.250	⅝"		1.17	.50	.37	.92			
10RC-38X	50	12-10	.250	⅝"		1.29	.59	.44	.99			
RC737-250	500	12-10	.250	⅝"		1.29	.59	.44	.99			

For multiple wire combinations per UL File E9609, see page G-8.

Wire Termination — Sta-Kon® Wire Termination & Insulation

Ring Terminals

Vinyl-Insulated Large Ring Terminals



CAT. NO.	WIRE RANGE	MAX. INS.	BOLT HOLE	REC. TOOL	DIMENSIONS				STOCK THICK.
					A	B	C	M	
RDV167	8	.340	#8	ERG4007	1.48	.42	.28	1.17	.04
RDV367	8	.340	#10		1.48	.42	.28	1.17	
RDV717	8	.340	1/4"		1.54	.46	.36	1.20	
RDV727	8	.340	3/16"		1.63	.57	.36	1.23	
RDV737	8	.340	3/8"		1.63	.57	.36	1.23	
RDV757*	8	.310	1/2"	TBM6S	1.79	.82	.55	1.27	
REV267	6	.420	#10	ERG4007	1.65	.45	.28	1.23	
REV717	6	.420	1/4"		1.65	.49	.28	1.23	
REV727	6	.420	3/16"		1.76	.61	.34	1.30	
REV737	6	.420	3/8"		1.76	.61	.34	1.30	
REV757*	6	.395	1/2"		TBM6S	1.83	.82	.55	1.26

*Brazed Seam

Multiple Wire Combinations Listing per UL File E9609

TYPE (INSULATION)	WIRE RANGE (AWG) EACH SIDE
RA (Vinyl) Rings & Forks	(1) #22 (1) #22 with (1) #20
RB (Vinyl) Rings & Forks	(1) #16 with (1) #20 (2) #18 (1) #18 with (1) #20 (3) #20 (2) #20 (2) #20 with (2) #22 (1) #20 with (3) #22 (3) #22
RC (Vinyl) Rings & Forks	(1) #12 with (1) #16 (1) #14 with (1) or (2) #16 (1) #14 with (1) or (2) #18 (2) #14 (3) #16 (2) #16 (1) #16 with (3) #18 (1) #16 with (2) #18 (1) #16 with (4) #18 (1) #16 with (3) #18
RCC (Vinyl)	(1) #12 with (1) #16 (1) #14 with (1) or (2) #16 (1) #14 with (1) or (2) #18 (2) #14 (3) #16 (2) #16 (1) #16 with (3) #18 (1) #16 with (2) #18 (4) #18
RAA (Vinyl)	(2) #22 (1) #22 with (1) #20
RBB (Vinyl)	(1) #16 with (1) #20 (2) #18 (1) #18 with (1) #20 (3) #20 (2) #20 (2) #20 with (2) #22 (1) #20 with (3) #22 (3) #22

Recommended Hand Tools are WT145C and WT2000.

- No UL testing on disconnects for multiple wires
- No UL testing on nylon terminals for multiple wires
- No UL testing on non-insulated terminals for multiple wires