

## SWIMMING POOL TIME SWITCHES

### 1 and 2 Circuit Controls 24 Hour Dial

1100 SERIES

#### APPLICATIONS

Automatic ON-OFF control of swimming pool pumping systems with or without water heaters. Two units in one case allow for addition of lighting control, or automatic pool sweep "ON".

Models with "FM" suffix contain low voltage secondary circuit to turn OFF water heater thermostat 20-30 minutes before standard voltage main circuit turns OFF pump. This allows for slow cooling of heater coils, preventing sudden steam build-up and knocking, thereby prolonging heater life.

#### SPECIFICATIONS

##### Contact Ratings:

40 Amp. Tungsten, 120 VAC  
40 Amp. Resistive, 120-277 VAC Single Phase  
40 Amp. General Purpose, 120-277 VAC Single Phase  
20 Amp. Inductive 120 VAC, 277 VAC Single Phase  
1000 VA Pilot Duty 120-277 VAC.  
2 HP (24 FLA) 120 VAC; 5 HP (28 FLA) 240 VAC

**Water Heater Circuit:** 760VA 24V

**Timing Motor:** Heavy duty synchronous, self-starting high torque. Power Consumption: 3 watts.

**Automatic Operation:** Models with "FM" suffix – Include one pair of permanent type ON-OFF trippers. Can accommodate up to 3 pairs. Minimum ON setting, 45 minutes. Minimum OFF setting, 90 minutes. All other models include 1 pair of ON-OFF trippers – can accommodate up to 12 pairs. Minimum ON setting, 20 minutes. Minimum OFF setting, 75 minutes. Dial markings in English, French & Spanish.

**Temporary Manual Override:** Available.

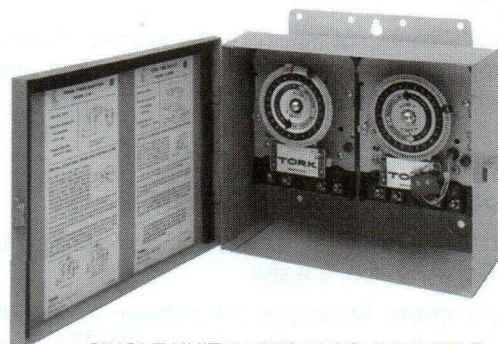
**Operating Temperature Range:** -40° to +165°F. (-40° to +74°C.)

#### ORDERING INFORMATION

Model #	Enclosure Type	Switch	H.P. Rating	Motor AC Voltage
1101	Metal Indoor	SPST	2	120
1103	Metal Indoor	DPST	2	120
1104	Metal Indoor	DPST	5	208-277
1101 FM	Metal Indoor	SPST	2	120
1104 FM	Metal Indoor	DPST	5	208-277
1101 FM N	Noryl® Indoor/Outdoor	SPST	2	120
1104 FM N	Noryl® Indoor/Outdoor	DPST	5	208-277
1101-O	Metal Outdoor	SPST	2	120
1103-O	Metal Outdoor	DPST	2	120
1104-O	Metal Outdoor	DPST	5	208-277
1101 FM-O	Metal Outdoor	SPST	2	120
1104 FM-O	Metal Outdoor	DPST	5	208-277
1101 M	Mechanism Only	SPST	2	120
1103 M	Mechanism Only	DPST	2	120
1104 M	Mechanism Only	DPST	5	208-277
1101 FM M	Mechanism Only	SPST	2	120
1104 FM M	Mechanism Only	DPST	5	208-277
<b>Contains</b>				
1101 D	Two units in metal indoor /outdoor	2 each 1101		
1114 D	Two units in metal indoor /outdoor	1 each 1101, 1 each 1104		
1104 D	Two units in metal indoor /outdoor	2 each 1104		
1101 DF	Two units in metal indoor /outdoor	1 each 1101, 1 each 1101 FM		
1114 DF	Two units in metal indoor /outdoor	1 each 1101, 1 each 1104 FM		
1104 DF	Two units in metal indoor /outdoor	1 each 1104, 1 each 1104 FM		

FM models contain low voltage pool heater thermostat switch.

Reserve Power is not available in this series.



SINGLE UNIT CASES ALSO AVAILABLE  
SEE ORDERING INFORMATION

**Enclosure:** See end of controls section for dimensions. General Purpose (NEMA 1, Indoor Only). Drawn steel, beige enamel with combination 1/2" and 3/4" K.O.'s on sides, bottom and back. Lockable hasp. Cover is removable and movement releases from case at finger touch for easy installation. Back has keyhole as well as matching screw holes for easy mounting over single gang box.

#### Other Mountings:

Model **IAP-Intermatic® Adapter Plate** – allows any TORK 1100 model to fit into an Intermatic case without necessity of changing the enclosure.

Single Circuit Control –

**Noryl® Indoor /Outdoor** NEMA 3R (suffix N) – Model 9000N.\*

**Metal Indoor /Outdoor** NEMA 3. (suffix O) – Model 9000A\* (hinged side).

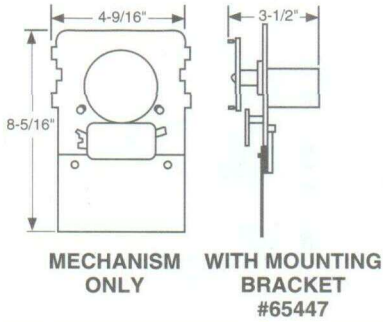
**Duplex** – Indoor /Outdoor – 2 units in one case, surface (suffix DUOL) – Model 9004L\*

**Bracket mounting** – specify mechanism only with bracket.

\*Use model number when ordering special enclosures separately.

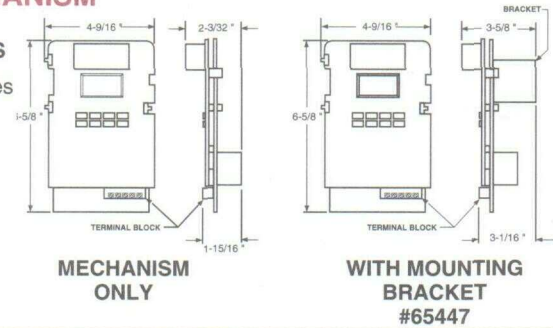
## MECHANISM

**MODELS**  
4277  
4278



## MECHANISM

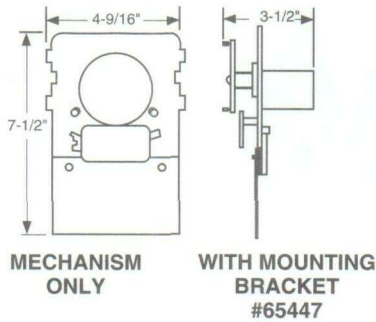
**MODELS**  
DG Series



## MECHANISM

**MODELS**

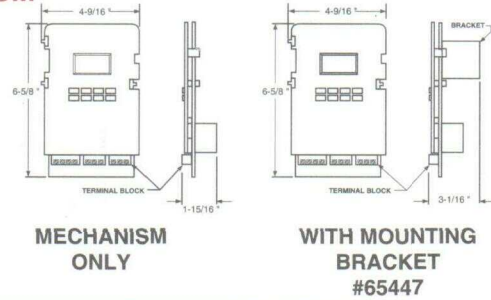
1101	1847A
1102	1848A
1103	1849A
1104	1847AZ
1101FM	1848AZ
1104FM	1849AZ
7100	1847AL
7102	1848AL
7200, (L,Z,ZL)	1849AL
7202, (L,Z,ZL)	1847AZL
7120, (L,Z,ZL)	1848AZL
7122, (ZL)	1849AZL
7220, (L)	
7222, (L)	



## MECHANISM

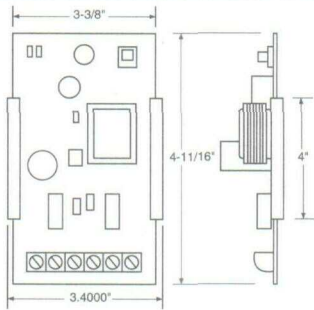
**MODELS**

DZS Series  
DTS Series  
DZM Series  
DW Series  
DWZ Series



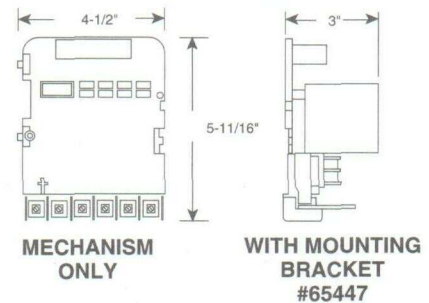
## MECHANISM

**MODEL**  
SMC-3D



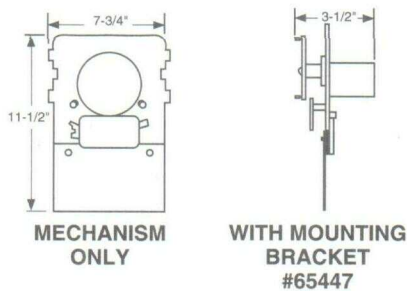
## MECHANISM

**MODELS**  
E, ES, EW Series  
EH10/20



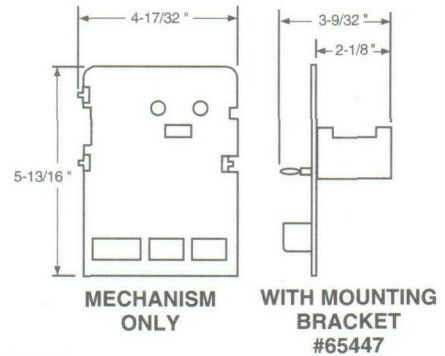
## MECHANISM

**MODELS**  
1847AWL  
1848AWL  
1849AWL



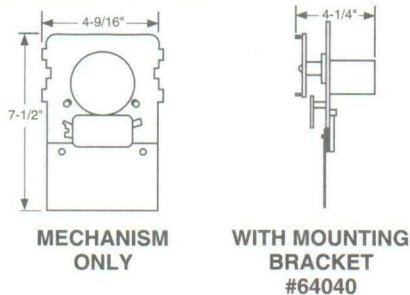
## MECHANISM

**MODEL**  
LC200M



## MECHANISM

**MODELS**  
7300, (L,Z,ZL)  
7302, (L,Z,ZL)



## MECHANISM

**MODELS**  
LDS  
LDSH

