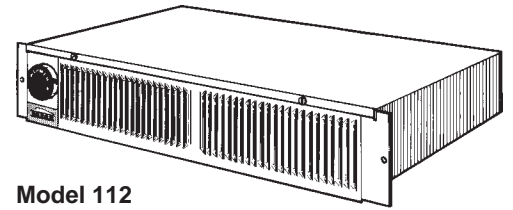


KICKSPACE HEATERS MODELS 112 & 114



Model 112

Low-profile design provides floor-level heat from out-of-the-way locations.

FEATURES

- Attractive white finish
- Vertical louvers – disperse heat evenly
- Front-mounted, snap action, bimetallic thermostat (Model 112 only)
- Heavy-duty, steel sheathed, plate-finned element
- Factory-wired for 240 VAC, 1500W
- Field-convertible to operate on 120 VAC, 750 or 1500W
- Mounts into standard kickspaces beneath cabinets, vanities, counters, stairways, etc.

ACCESSORIES (purchase separately)

- Model 86W Line-Voltage Thermostat
- Model 59W / 59V 60 Minute Timer
- Model 61W / 61V 15-Minute Timer
- Model 90 Built-in Thermostat Kit (Model 114 only)

SPECIFICATIONS

VOLTS	WATTS	AMPS	BTU/HR	SHIPPING WEIGHT
240	1500	6.2	5120	12 lbs.
120	750	6.2	2560	
208	1125	5.4	3840	
120	1500	12.5	5120	

BOLD ratings are factory-wired.

TYPICAL SPECIFICATION

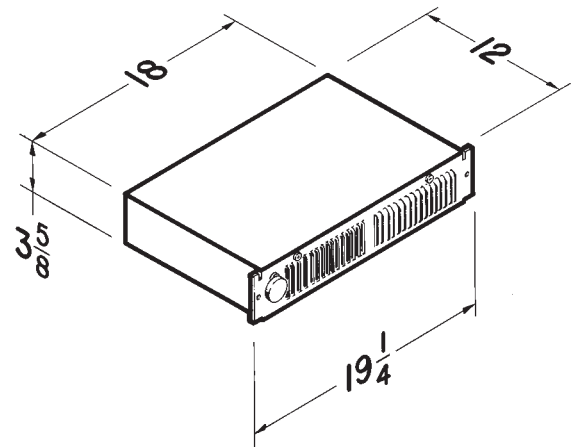
The heater shall be Broan Model 112 (Model 114).

Unit shall have heavy-gauge steel housing and grille with white finish.

Heater will have heavy-duty, steel-sheathed, plate-finned element. Heater will have front-mounted thermostat (Model 112 only).

Heater to deliver 1500 watts of fan-forced heat from 240 VAC circuit. It must be convertible to operate on 120 VAC, full or half-wattage.

Heater shall be U.L. Listed.



Broan-NuTone LLC, 926 West State Street, Hartford, WI 53027 (1-800-637-1453)

REFERENCE	QTY.	REMARKS	Project
			Location
			Architect
			Engineer
			Contractor
			Submitted by Date