



**MILBANK**  
ENERGY AT WORK



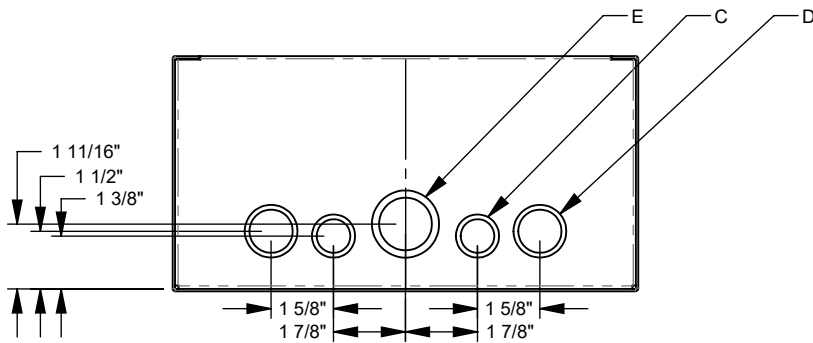
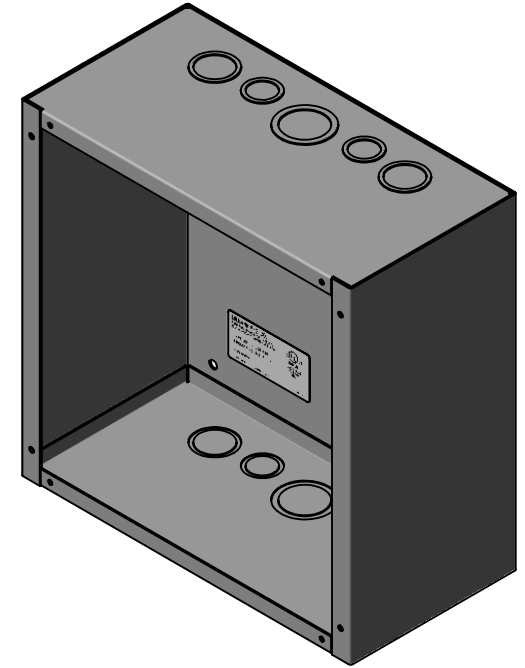
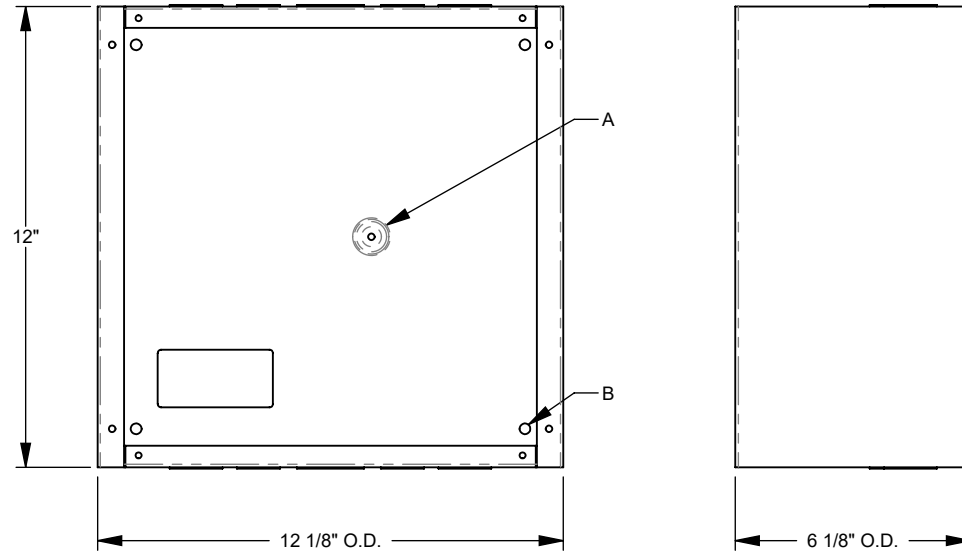
## 12126-SC1-NK

Catalog Number	12126-SC1-NK
Marketing Product Description	12x6x12 Screw Cover Type 1 UL Listed Steel No Knockouts ANSI 61 Gray Cover With Teardrop Slots Mounting Holes In Back
UPC	784572101357
Length (IN)	6
Width (IN)	12
Height (IN)	12
Weight (LB)	11
Brand Name	Milbank
Type	Screw Cover
Application	Enclosure for Mounting Electrical Equipment
Standard	UL Listed
Number Of Outlet	0
Material	Steel with Powder Coat Finish
Size	6L x 12W x 12H
Color	ANSI 61 Gray
Construction	Welded
Cable Entry	No Knockouts
Mounting	Wall Mount
NEMA Rating	Type 1
Hinge Type	No Hinge

Top	Plain Top
Door	Cover
Latch	Cover Secured with Plated Screws
Support	Formed and Spot Welded

Please consult serving utility for their requirements prior to ordering or installing, as specifications and approvals vary by utility and may require local electrical inspector approval. All installations must be installed by a licensed electrician and must comply with all national and local codes, laws and regulations. Milbank reserves the right to make changes in specifications and features shown without notice or obligation.

FEATURE TABLE		
ITEM	QTY	DESCRIPTION
A	1	GROUNDING EMBOSS
B	4	Ø.28 MOUNTING HOLE
C	4	½, ¾ CONC. K.O.
D	4	¾, 1 CONC. K.O.
E	2	1, 1¼ CONC. K.O.



Version:

**1**

**All dimensions are +/- 1/16".  
Drawing views are not to scale.**

Please consult serving utility for their requirements prior to ordering or installing, as specifications and approvals vary by utility, and may require local electrical inspector approval. All installations must be installed by a licensed electrician and must comply with all national and local codes, laws and regulations. Milbank reserves the right to make changes in specifications and features shown without notice or obligation.



**MILBANK**  
ENERGY AT WORK



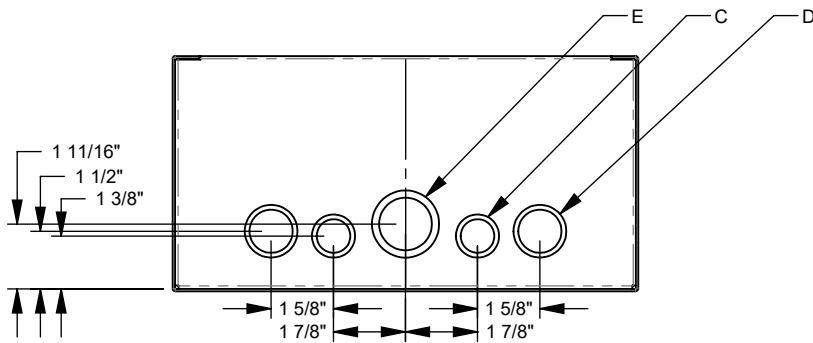
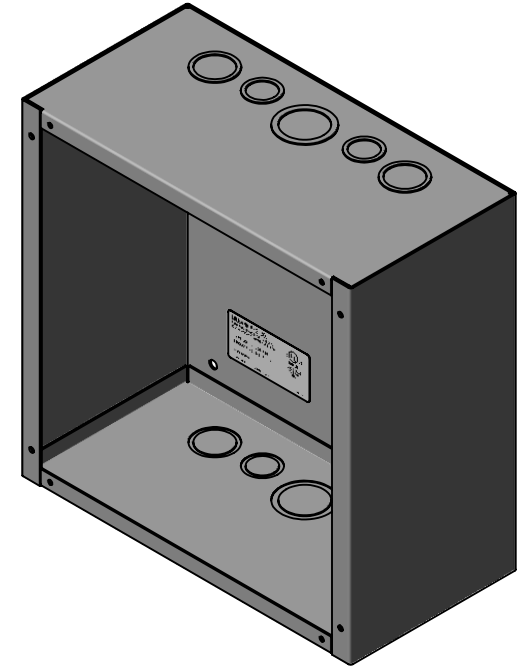
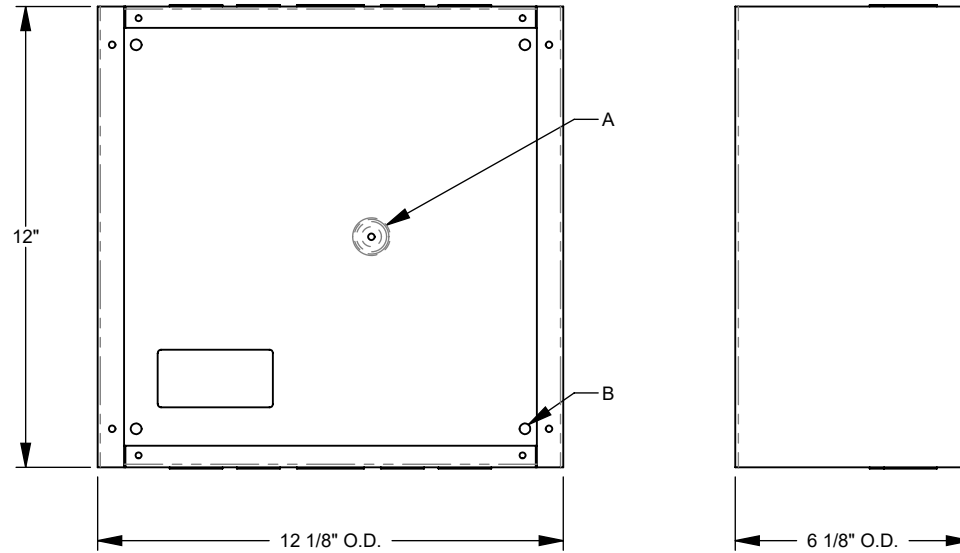
## 12126-SC1-NK

Catalog Number	12126-SC1-NK
Marketing Product Description	12x6x12 Screw Cover Type 1 UL Listed Steel No Knockouts ANSI 61 Gray Cover With Teardrop Slots Mounting Holes In Back
UPC	784572101357
Length (IN)	6
Width (IN)	12
Height (IN)	12
Weight (LB)	11
Brand Name	Milbank
Type	Screw Cover
Application	Enclosure for Mounting Electrical Equipment
Standard	UL Listed
Number Of Outlet	0
Material	Steel with Powder Coat Finish
Size	6L x 12W x 12H
Color	ANSI 61 Gray
Construction	Welded
Cable Entry	No Knockouts
Mounting	Wall Mount
NEMA Rating	Type 1
Hinge Type	No Hinge

Top	Plain Top
Door	Cover
Latch	Cover Secured with Plated Screws
Support	Formed and Spot Welded

Please consult serving utility for their requirements prior to ordering or installing, as specifications and approvals vary by utility and may require local electrical inspector approval. All installations must be installed by a licensed electrician and must comply with all national and local codes, laws and regulations. Milbank reserves the right to make changes in specifications and features shown without notice or obligation.

FEATURE TABLE		
ITEM	QTY	DESCRIPTION
A	1	GROUNDING EMBOSS
B	4	Ø.28 MOUNTING HOLE
C	4	½, ¾ CONC. K.O.
D	4	¾, 1 CONC. K.O.
E	2	1, 1¼ CONC. K.O.



Version:

1

All dimensions are +/- 1/16".  
Drawing views are not to scale.

Please consult serving utility for their requirements prior to ordering or installing, as specifications and approvals vary by utility, and may require local electrical inspector approval. All installations must be installed by a licensed electrician and must comply with all national and local codes, laws and regulations. Milbank reserves the right to make changes in specifications and features shown without notice or obligation.