



# ELLIOTT ELECTRIC SUPPLY

We Deliver...Lower Cost, Quality Products, & Personal Service

3804 South Street  
75964-7263, TX Nacogdoches  
Phone: 936-569-7941  
Fax: 936-560-4685

## 14ALLTHREAD 1/4" X 10' All Thread Rod *Cooper B-Line/Cable Tray*



|                  |  |
|------------------|--|
| Catalog Number   | 14ALLTHREAD  |
| Manufacturer     | Cooper B-Line/Cable Tray   |
| Description      | Thread Rod, Stainless Steel, Zinc Plated, 120 In Length, 1/4 In Size, Uncr Connection, 1/4 In - 20 Tpi Connection Size, 240 LB Capacity, 12 LB |
| Weight per unit  | 0.1200 (lbs/each)  |
| Product Category | Channel & Strut Fittings   |

### Descriptions

|             |                           |
|-------------|---------------------------|
| Description | 1/4" X 10' ALL THREAD ROD |
|-------------|---------------------------|

### Manufacturer Information

|       |                |
|-------|----------------|
| Brand | BOLTED FRAMING |
| GTIN  | 00781011690151 |
| UPC   | 781011690151   |

### Taxonomies, Classifications, and Categories

|                      |                   |
|----------------------|-------------------|
| Category Description | THREAD RODS       |
| Type                 | Threaded Drop Rod |

### Availability

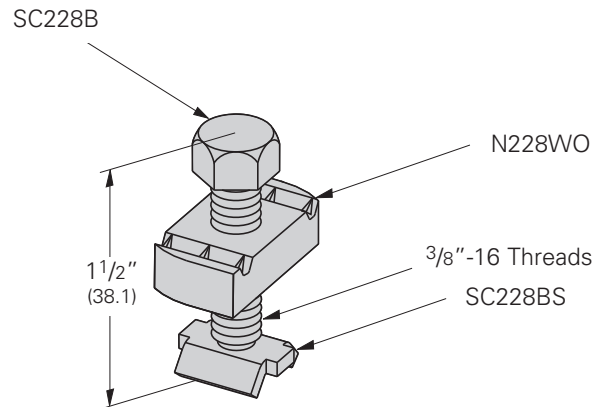
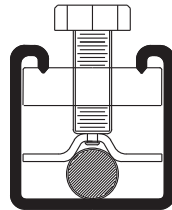
|             |    |
|-------------|----|
| minimum qty | 10 |
|-------------|----|

### Packaging

|                 |      |
|-----------------|------|
| Carton          | 10   |
| Package         | 500  |
| Weight Per foot | 0.12 |

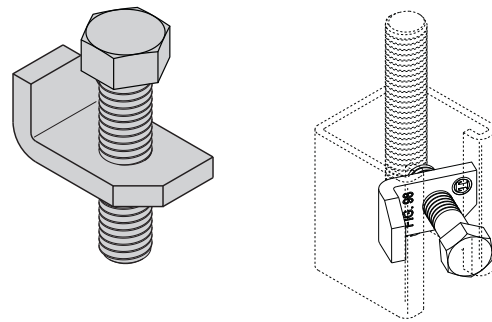
## SC228 Hanger Rod Stiffener

- For  $\frac{3}{8}$ " thru  $\frac{5}{8}$ " ATR
- Strut ordered separately
- Standard finish: ZN
- Wt./C 21 Lbs. (9.5 kg)



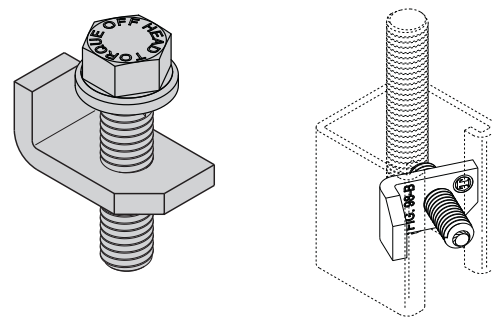
## Fig. 98 Rod Stiffener

- For  $\frac{3}{8}$ " thru  $\frac{7}{8}$ " ATR
- Use with 12 ga. strut only, ordered separately
- Secures channel to hanger rod for vertical seismic bracing
- Standard finish: ZN
- Wt./C 11 Lbs. (5.0 kg)



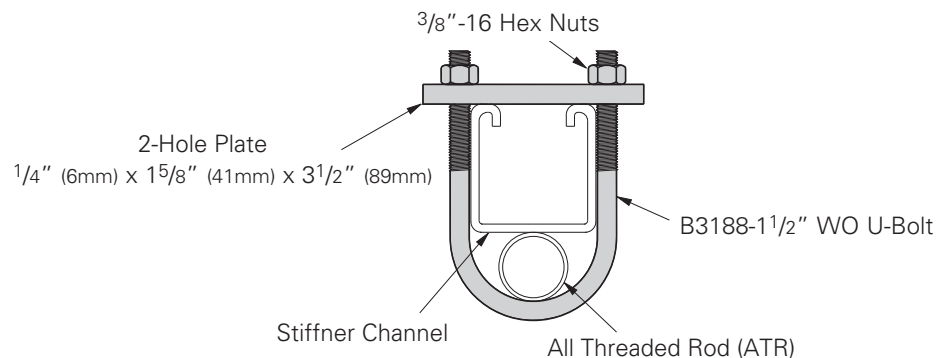
## Fig. 98B Rod Stiffener with Break-Off Bolt Head

- For  $\frac{3}{8}$ " thru  $\frac{7}{8}$ " ATR
- Use with 12 ga. strut only, ordered separately
- Secures channel to hanger rod for vertical seismic bracing
- Uses a snap-off bolt head
- Standard finish: ZN
- Wt./C 13 Lbs. (5.9 kg)



## SC-UB Hanger Rod Stiffener

- For  $\frac{3}{4}$ " thru  $\frac{7}{8}$ " ATR
- Strut ordered separately
- Includes: (1) B3188-1 $\frac{1}{2}$ WO U-Bolt  
(2)  $\frac{3}{8}$ "-16 Hex Nuts  
(1) 2-Hole Plate
- Standard finish: ZN
- Wt./C 50 Lbs. (22.7 kg)



Reference page 45 for general fitting and standard finish specifications.

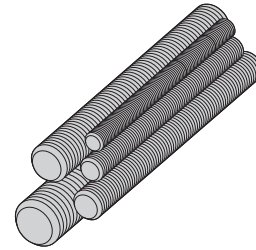
# Hardware

## ATR

### All Threaded Rod

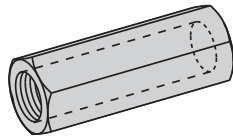
- Available in 36" (91.4 cm), 72" (182.9 cm), 120" (304.8 cm), 144" (365.7 cm) lengths
- Safety Factor of 5 on recommended load
- Standard finish: Zinc-Plated, Stainless Steel Type 304

| Part No. & Size | Threads Per Inch | Recommended Load |         | Wt./C Ft. (3048.0 cm) |          |
|-----------------|------------------|------------------|---------|-----------------------|----------|
|                 |                  | Lbs.             | kN      | Lbs.                  | kg       |
| ATR 1/4"        | 20               | 240              | (1.07)  | 12                    | (5.44)   |
| ATR 5/16"       | 18               | 400              | (1.78)  | 19                    | (8.62)   |
| ATR 3/8"        | 16               | 730              | (3.24)  | 29                    | (13.15)  |
| ATR 1/2"        | 13               | 1350             | (6.00)  | 53                    | (24.04)  |
| ATR 5/8"        | 11               | 2160             | (9.60)  | 89                    | (40.37)  |
| ATR 3/4"        | 10               | 3230             | (14.37) | 123                   | (55.79)  |
| ATR 7/8"        | 9                | 4480             | (19.93) | 170                   | (77.11)  |
| ATR 1"          | 8                | 5900             | (26.24) | 225                   | (102.06) |

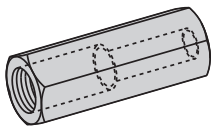


## B655 Rod Coupling B656 Reducer Rod Coupling

- Load rating for each coupler meets All Threaded Rod value
- Standard finish: Zinc-Plated, Stainless Steel Type 304



| Part No.  | Size     | Recommended Load |         | Length |        | Wt./C |         |
|-----------|----------|------------------|---------|--------|--------|-------|---------|
|           |          | Lbs.             | kN      | In.    | mm     | Lbs.  | kg      |
| B655-1/4  | 1/4"-20  | 240              | (1.07)  | 7/8"   | (22.2) | 1.9   | (.86)   |
| B655-5/16 | 5/16"-18 | 380              | (1.69)  | 7/8"   | (22.2) | 1.8   | (.81)   |
| B655-3/8  | 3/8"-16  | 730              | (3.24)  | 1 1/8" | (28.6) | 3.6   | (1.63)  |
| B655-1/2  | 1/2"-13  | 1350             | (6.00)  | 1 3/4" | (44.4) | 11.3  | (5.12)  |
| B655-5/8  | 5/8"-11  | 1810             | (8.05)  | 2 1/8" | (54.0) | 17.6  | (7.98)  |
| B655-3/4  | 3/4"-10  | 2710             | (12.05) | 2 1/4" | (57.1) | 28.1  | (12.74) |
| B655-7/8  | 7/8"-9   | 3770             | (16.77) | 2 1/2" | (63.5) | 57.2  | (25.94) |
| B655-1    | 1"-8     | 4960             | (22.06) | 2 3/4" | (69.8) | 73.7  | (33.43) |



| Part No.       | Size              | Recommended Load |         | Length |        | Wt./C |         |
|----------------|-------------------|------------------|---------|--------|--------|-------|---------|
|                |                   | Lbs.             | kN      | In.    | mm     | Lbs.  | kg      |
| B656-3/8 x 1/4 | 3/8"-16 & 1/4"-20 | 240              | (1.07)  | 1"     | (25.4) | 3.7   | (1.68)  |
| B656-1/2 x 3/8 | 1/2"-13 & 3/8"-16 | 730              | (3.24)  | 1 1/4" | (31.7) | 6.6   | (2.99)  |
| B656-5/8 x 1/2 | 5/8"-11 & 1/2"-13 | 1350             | (6.00)  | 1 1/4" | (31.7) | 11.6  | (5.26)  |
| B656-3/4 x 5/8 | 3/4"-10 & 5/8"-11 | 1810             | (8.05)  | 1 1/2" | (38.1) | 20.6  | (9.34)  |
| B656-7/8 x 3/4 | 7/8"-9 & 3/4"-10  | 2710             | (12.05) | 1 3/4" | (44.4) | 39.4  | (17.87) |

## BHR Series Hot Rods for Trapeze Hangers

- 12" length of threaded rod completely assembled with rod coupling, locking hex nuts, square washer, and channel nut.
- Standard finish: Zinc-Plated

| Part No.  | Rod Size | Recommended Load |        | Wt./C |        |
|-----------|----------|------------------|--------|-------|--------|
|           |          | Lbs.             | kN     | Lbs.  | kg     |
| BHR1225ZN | 1/4"-20  | 240              | (1.07) | 41    | (18.6) |
| BHR1238ZN | 3/8"-16  | 730              | (3.24) | 63    | (28.6) |
| BHR1250ZN | 1/2"-13  | 1350             | (6.00) | 98    | (44.4) |
| BHR1262ZN | 5/8"-11  | 1500             | (6.67) | 148   | (67.1) |

Note: Based on use with 12 ga. channel.

(BHR1225, BHR1238, and BHR1250 use combo nut washers instead of square washers and channel nuts)

