

Type 4X Fiberglass Enclosures

JIC Enclosures Type 4X Premier™ Series Hinged Quick-Release Cover Data Sheet



Application

- Houses electrical and electronic controls and instruments
- Intended for indoor or outdoor use
- Ideally suited for harsh environments
- Protects against corrosion, windblown dust and rain, splashing water, and hose directed water

Standards

- UL/cUL 50 Listed, Type 1, Type 3, Type 3s, Type 4X, Type 12, Type 13
- Conforms to NEMA Standard for Type 1, Type 3, Type 3s, Type 4X, Type 12, Type 13
- CSA 22.2, Type 1, Type 3, Type 3s, Type 4X, Type 12, Type 13
- Temperature Range: -40°F to 250°F (-40°C to 120°C)
- Flammability Rating: UL94-5V
- Window Flammability Rating: UL94V-0
- Self Extinguishing: Non-halogenated, Non-flame propagating
- Chemical Resistance: (see chart, pages 464 - 467)
- NFPA No. 101 Flame Spread, Class A (1)

Finish

- Gray color

Accessories

- Back Panels (see page 290)
- Mounting Foot kits (see page 294)
- See accessories (pages 292 - 293)

Construction

- Enclosures are an impact resistant, non-conductive, light-weight hot compression molded fiberglass reinforced polyester
- Poured polyurethane seamless gasket provides watertight, dust-tight environmental seal
- Captive screws provide smooth surfaces
- 300 series stainless steel used on all external hardware
- Integral mounting bosses utilize threaded brass inserts accepting #10-32 screws for mounting optional panel
- Rounded edges reduce build-up of dust and debris
- Full 180° door opening
- Padlocking latches provide quick access and optional closure locking (padlock not included)
- Flush mounted scratch and abrasion resistant polycarbonate clear cover option provides internal component visibility

Discount Schedule: F2

Subclass: G00

Notes: We can provide special modifications. Consult the factory for your special requirements.

Type 4X Fiberglass Enclosures

JIC Enclosures Type 4X Premier™ Series Hinged Quick-Release Cover Illustration Sheet and Catalog Number

Enclosure Catalog #	Overall Dimensions H x W x D		Inside Dimensions A x B x C		Mtg. Dimension P x R		Optional Feet Mtg. E x F		Panel No.
	in.	mm	in.	mm	in.	mm	in.	mm	
664-SDFQR	7.41 x 7.79 x 4.31	188 x 198 x 109	6.77 x 6.77 x 4.06	172 x 172 x 103	5.93 x 4.00	150 x 101	8.24 x 4.00	209 x 101	AW66__
864-SDFQR	9.41 x 7.79 x 4.31	239 x 198 x 109	8.77 x 6.77 x 4.06	228 x 172 x 103	7.91 x 4.00	201 x 101	10.21 x 4.00	259 x 101	AW86__
884-SDFQR	9.39 x 9.76 x 4.31	238 x 248 x 109	8.74 x 8.74 x 4.06	222 x 222 x 103	7.91 x 6.00	201 x 152	10.21 x 6.00	259 x 152	AW88__
1086-SDFQR	11.42 x 9.79 x 6.31	290 x 248 x 160	10.73 x 8.73 x 6.06	272 x 222 x 154	9.89 x 6.00	251 x 152	12.19 x 6.00	309 x 152	AW108__
12106-SDFQR	13.45 x 11.83 x 6.31	341 x 300 x 160	12.69 x 10.69 x 6.06	322 x 271 x 154	11.88 x 8.00	302 x 203	14.18 x 8.00	360 x 203	AW1210__
14126-SDFQR	15.49 x 13.86 x 6.34	393 x 352 x 161	14.72 x 12.72 x 6.06	374 x 323 x 154	13.91 x 10.00	353 x 254	16.21 x 10.00	412 x 254	AW1412__
14128-SDFQR	15.49 x 13.86 x 8.34	393 x 352 x 212	14.66 x 12.66 x 8.06	372 x 321 x 205	13.88 x 10.00	352 x 254	16.19 x 10.00	411 x 254	AW1412__
16148-SDFQR	17.58 x 15.96 x 8.34	446 x 405 x 212	16.69 x 14.69 x 8.06	424 x 373 x 205	15.96 x 12.00	405 x 205	18.26 x 12.00	464 x 305	AW1614__
181610-SDFQR	19.77 x 18.15 x 10.34	502 x 461 x 262	18.63 x 16.63 x 10.06	473 x 422 x 255	17.94 x 14.00	455 x 355	20.24 x 14.00	514 x 355	AW1816__
201610-SDFQR	21.79 x 18.16 x 10.34	553 x 461 x 262	20.63 x 16.63 x 10.06	524 x 422 x 255	19.96 x 14.00	507 x 355	22.26 x 14.00	565 x 355	AW2016__J

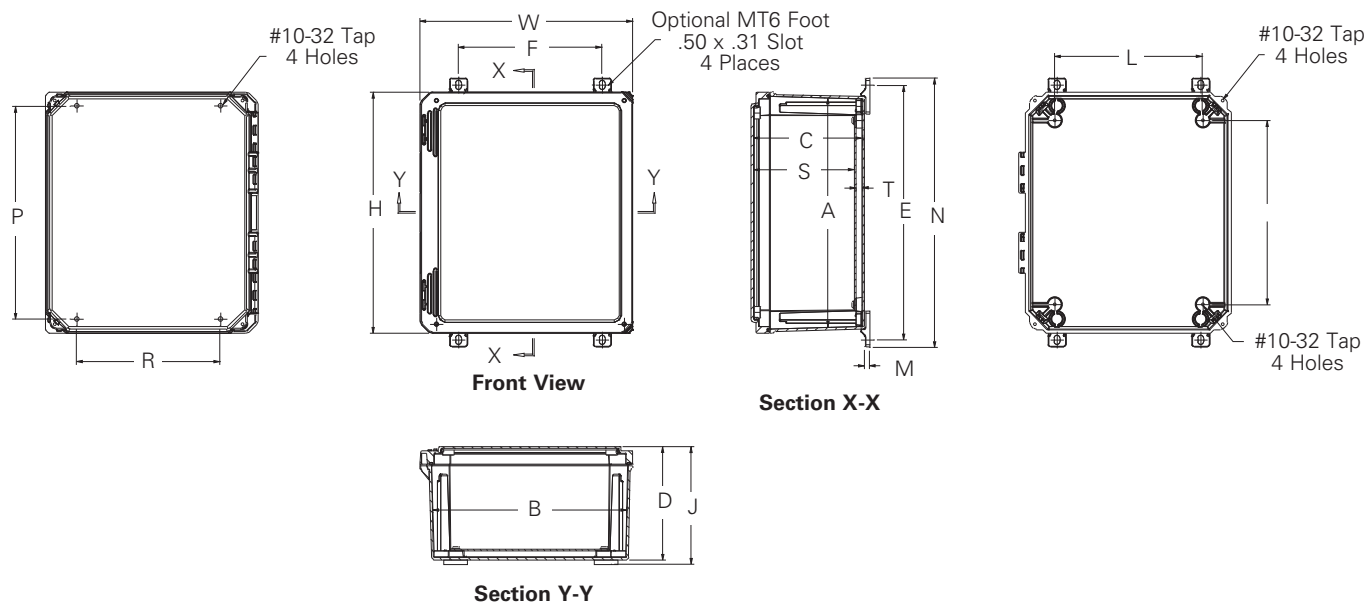
Enclosure Catalog #	Dimensions													
	K		L		S		T		N		M			
	in.	mm	in.	mm	in.	mm	in.	mm	in.	mm	in.	mm		
664-SDFQR	4.25	108	4.25	108	3.60	91	0.38	9.6	9.02	229	4.56	116	0.25	6.35
864-SDFQR	6.25	159	4.25	108	3.60	91	0.38	9.6	10.98	279	4.56	116	0.25	6.35
884-SDFQR	6.25	159	6.25	159	3.60	91	0.38	9.6	10.98	279	4.56	116	0.25	6.35
1086-SDFQR	8.25	210	6.25	159	5.60	142	0.38	9.6	12.96	329	6.56	167	0.25	6.35
12106-SDFQR	10.25	260	8.25	210	5.60	142	0.38	9.6	14.95	380	6.56	167	0.25	6.35
14126-SDFQR	12.25	311	10.25	260	5.60	142	0.38	9.6	16.98	431	6.59	167	0.25	6.35
14128-SDFQR	12.25	311	10.25	260	7.60	193	0.38	9.6	16.96	431	8.59	218	0.25	6.35
16148-SDFQR	14.25	362	12.25	311	7.60	193	0.38	9.6	19.04	483	8.59	218	0.25	6.35
181610-SDFQR	16.25	413	14.25	362	9.60	244	0.38	9.6	21.02	534	10.59	269	0.25	6.35
201610-SDFQR	18.25	463	14.25	362	9.59	244	0.38	9.6	23.04	585	10.59	269	0.25	6.35

Panel Finishes

Example: AW108__

Insert for __

P = Carbon Steel
SP = Stainless Steel
AP = Aluminum



Notes: Dimensions are in inches. Millimeters shown are for reference only. Data subject to change without notice.