



# ELLIOTT ELECTRIC SUPPLY

We Deliver...Lower Cost, Quality Products, & Personal Service

3804 South Street  
75964-7263, TX Nacogdoches  
Phone: 936-569-7941  
Fax: 936-560-4685

## 210214S Dragon Tooth Term

*Thomas&Betts-Abb Ins Prod*

Catalog Number	210214S
Manufacturer	Thomas&Betts-Abb Ins Prod
Description	Wire Splice, Insulated, Copper Conductor Material, 0.63 In Overall Length, Splice Connector Terminal, 0.01 LB
Weight per unit	0.0100 (lbs/each)
Product Category	Small Terminals & Connectors

### Features

Material	COPPER
----------	--------

### Material, Color, and Finish

Finish	TIN PLATED
--------	------------

### Descriptions

Description	DRAGON TOOTH TERM
-------------	-------------------

### Manufacturer Information

Brand	Dragon Tooth In
GTIN	00786210867687
UPC	786210867687

### Taxonomies, Classifications, and Categories

Category Description	STA-KON TYPE TERMINALS
Type	Splices

### Packaging

Carton	250
Package	1250
Weight Per each	0.01

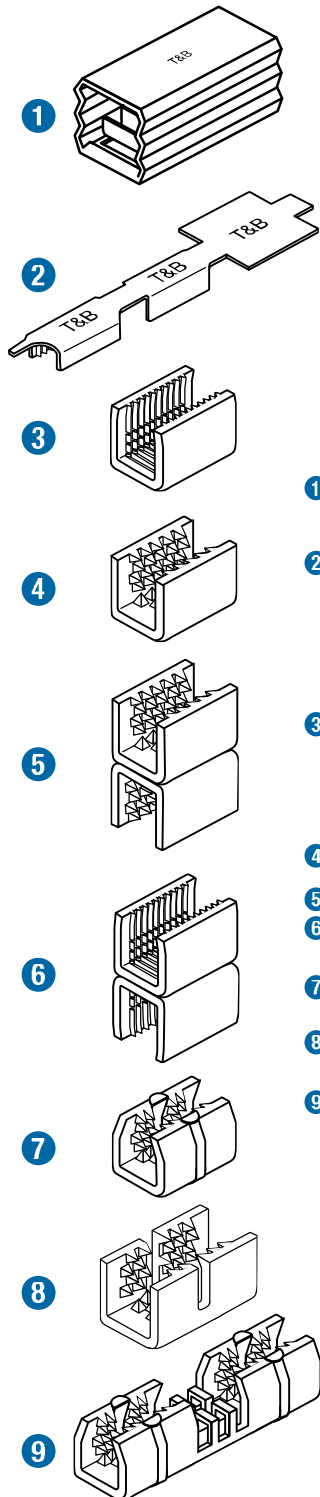
### Uses, Certifications, and Standards

standard	UL E9809
----------	----------

## Dragon Tooth® Magnet Wire Termination System

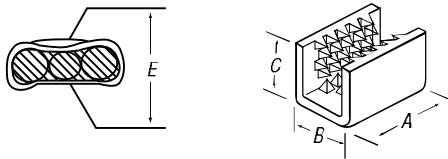
### Splices for copper and aluminum magnet wire!

Wire Termination — Sta-Kon® Wire Termination & Insulation



### Splices

- Penetrate all standard copper and aluminum magnet wire insulations
- Perfect for heavy Formvar, poly-thermaleze, polyester and polyurethane insulations



For special insulations, consult Technical Services.

CAT. NO.	DIMENSIONS (IN.)				CIRCULAR MIL AREA	ROUND WIRE RANGE (AWG)		RECTANGULAR WIRE RANGE (IN.)		PKG. QTY.
	A	B	C	D*		MIN.	MAX.	THICKNESS	WIDTH	
1 214420	.43	.25	.22	.135	—	21 (4)	13 (2)	—	—	1000
220004	.17	.11	.08	.03	468–1,724	32–24**		—	—	8400†
2 220001	.34	.17	.14	.09	1,277–4,205	26–17**		.02–.04	.02–.09	3000†
220002-TB	.34	.25	.18	.09	2,985–6,687	24–14**		.02–.05	.02–.10	3000†
220006	.47	.25	.19	.09	5,162–12,330	16–12		.05–.08	.05–.16	2500†
22L004	.15	.11	.09	.03	128–2,028	32–24**		—	—	1000
22L001	.32	.16	.16	.10	808–5,162	26–17**		.02–.04	.02–.10	1000
22L002	.32	.25	.19	.10	2,048–9,110	24–15**		.02–.05	.02–.11	1000
3 22L006	.44	.25	.22	.13	2,580–12,330	16–12		.05–.08	.05–.16	1000
22L008	.70	.50	.35	.13	12,960–30,550	18–14		.04–.06	.06–.38	100
22L009	.70	.55	.46	.20	36,120–86,000	16–5		.08–.18	.08–.38	100
22L010	.70	.78	.71	.22	69,750–173,090 (f)	—		.10–.23 (CU) .10–.18 (AL)	.30–.63	50
4 210214S	.63	.38	.37	.17	4,110–20,760	14(a)–10		.08–.09	.08–.18	250
204210S	.69	.53	.53	.25	10,380–52,480	12(b)–4(e)		.10–.16	.10–.26	100
5 204210SH	.69	.53	1.05	.48	20,760–104,960	12(c)–2(d)		.10–.16	.10–.26	100
6 22L009H	.70	.55	.93	.37	72,000–132,000	16–5		.08–.18	.08–.38	100
220015	1.50	.88	.77	(e)	50,000–115,000	10–6		.100–.175	.300–.625	50
7 220019	1.50	.88	.85	(e)	110,000–175,000	6–2		.175–.250	.300–.625	25
220023	1.75	.88	.93	(e)	165,000–230,000	2–1/0		.250–.325	.300–.625	25
8 314118S	.63	.38	.30	.14	3,260–12,330	15–13		.05–.06	.05–.18	250
220016	3.13	.88	.77	(e)	50,000–115,000	10–6		.100–.175	.300–.625	25
9 220020	3.13	.88	.85	(e)	110,000–175,000	6–2		.175–.250	.300–.625	25
220024	3.63	.88	.93	(e)	165,000–230,000	2–1/0		.250–.325	.300–.625	25

\* Reference dimension. See installing die illustration for gauging.

\*\* Not recommended for aluminum magnet wire finer than 21 gauge. (a) Four wires max. (b) Six wires max. (c) Six wires max. each barrel.

(d) Conductors heavier than #6 AWG require special dies. Contact Thomas & Betts for assistance.

(e) Crimping dies may not bottom. Connector height will depend on number and size of wires in barrel. Pump must deliver 9800 psi minimum.

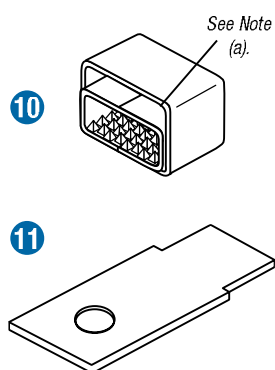
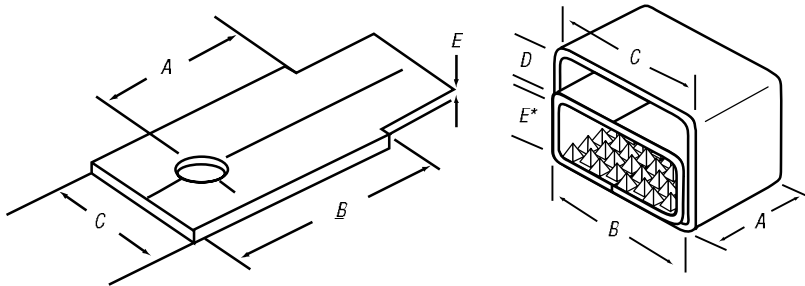
(f) Copper CMA, aluminum CMA=52,136–124,561.

† On a reel.

**Note:** Wire sizes and combinations shown have been tested to and meet or exceed Thomas & Betts specifications. Connectors may be suitable for other wire sizes or combinations. Thomas & Betts sells these connectors with the understanding that the user will perform necessary tests to determine their suitability for the intended purpose.

## Dragon Tooth® Magnet Wire Termination System

### Splices (continued)



CAT. NO.	STUD SIZE	DIMENSIONS (IN.)					CIRCULAR MIL AREA	ROUND WIRE RANGE (AWG)	RECTANGULAR WIRE RANGE (IN.)		PKG. QTY.	
		A	B	C	D	E			THICKNESS	WIDTH		
10 210214MT	—	.63	.63	.75	.25	.19*	20,000–105,000	5–13	Lower Half		250	
									.08–.15			.08–.49
									Upper Half			.25 max. .75 max.
11 210MT14	¼	1.00	1.44	.81	—	.08	5–13	For Conn		25		
11 210MT38	⅜	1.00	1.44	.81	—	.08	5–13	210214MT		25		
10 204210MT	—	.92	.94	1.03	.25	.25*	90,000–215,000	3–10	Lower Half		100	
									.10–.25			.10–.92
									Upper Half			.25 max. 1.03 max.
11 204MT14	¼	1.00	1.44	.91	—	.10	3–10	For Conn		25		
11 204MT38	⅜	1.00	1.44	.91	—	.10	3–10	204210MT		25		

(a) This space may be used for terminal tongue insert, stripped stranded copper wire, stripped copper magnet wire or left empty.

\* Between teeth.

**Note:** Wire sizes and combinations shown have been tested to and meet or exceed Thomas & Betts specifications. Connectors may be suitable for other wire sizes or combinations. Thomas & Betts sells these connectors with the understanding that the user will perform necessary tests to determine their suitability for the intended purpose.

