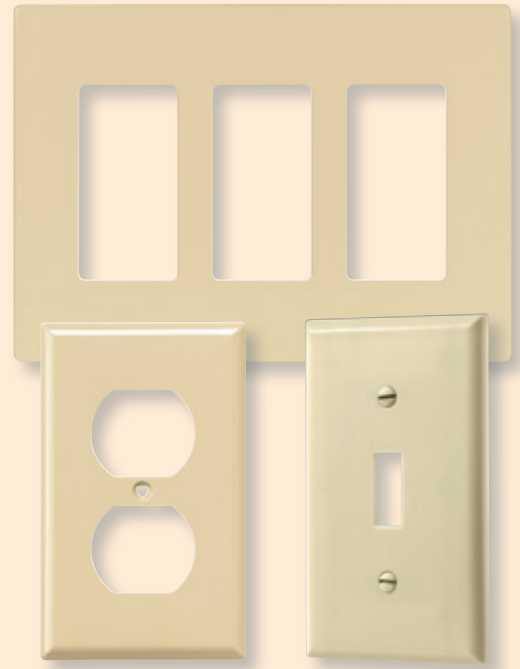


- Mid-size screwless wallplates deliver the ultimate in designer looks with a screwless finish; they are fast and easy to install, virtually unbreakable and easy to clean
- Mid-size & oversize wallplates are designed for use in applications where additional wall coverage is needed
- Extra depth wallplates are available for use with old work outlet boxes for a flush fit to the wall
- Available wallplate materials include virtually unbreakable nylon & polycarbonate thermoplastics, 302/304 corrosion resistant stainless steel, brass, and thermoset
- Nylon & polycarbonate wallplates feature screw-catch, a timesaving feature that holds mounting screws captive to simplify installation
- Our wallplates are manufactured according to the performance & dimensional requirements of Federal Specification WP-455, NEMA Standard WD-1, UL Standard 514 and the NEC®



## Specific wallplate solutions for today's needs



### Aesthetic upgrade

Our screwless wallplates come in 3 different openings for upgrading the look of toggle switches, GFCIs, rotary dimmers and duplex receptacles without having to change out devices!

See pages C-17 to C-19

Shown:  
PJS1

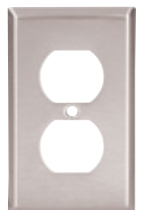


### Corrosion resistance

Brass and stainless steel wallplates offer durable, elegant corrosion resistance making them ideal for high-moisture locations like kitchens, baths, garages and basements.

See pages C-10 to C-25

Shown:  
93101



### Impact resistance

Thermoplastic polycarbonate and nylon wallplates are virtually unbreakable, warp resistant, abrasion resistant and soil resistant, making them ideal for high-traffic areas.

See pages C-10 to C-26

Shown:  
PJ26





### Thermoplastic nylon or polycarbonate wallplates

#### Design features

- Rugged construction reduces installation cost due to less plate breakage and resists bowing to provide a smooth, flat installation
- Exclusive timesaving Screw-catch feature holds mounting screws captive and simplifies installation
- High gloss finish is soil resistant
- Polycarbonate wallplates are virtually unbreakable with high structural rigidity, long-term form retention, plus superior impact and abrasion resistance

- Nylon wallplates have a flush-fitting, warp resistant design
- Matching mounting screws provide

#### Testing & code compliance

- cULus listed to UL514C, file no. E33216, certified to CSA C22.2, no. 42.1

#### Material characteristics

- Flammability: meets UL94 requirements; 5V rated
- Temperature rating: -40°C to 70°C (-40°F to 158°F)



### Thermoset wallplates

#### Design features

- Extensive line of non-flammable thermoset plates provides flush-fitting, warp resistant performance

#### Material characteristics

- Flammability: Meets UL94 requirements; 5V rated
- Temperature rating: -40°C to 65°C (-40°F to 149°F)

#### Testing & code compliance

- cULus listed to UL514C, file no. E33216, certified to CSA C22.2, no. 42.1



### 302/304 Stainless steel wallplates

#### Design features

- Superior non-corrosive and non-magnetic properties for applications needing protection from those elements
- Stainless steel alloy contains 18% chromium and 8% nickel for corrosion resistance
- Stamped from 0.032" (0.81mm) thick material
- Horizontally satin-brushed surface finish resists finger prints
- All plates are coated with clear, removable PVC to safeguard the surface during handling and installation

- Matching stainless steel mounting screws provided

#### Testing & code compliance

- Listed to UL514D, file no. E92122, certified to CSA C22.2, no.42.1

#### Material characteristics

- Temperature rating: -40°C to 70°C (-40°F to 158°F)



### Brass wallplates

#### Design features

- Line of handsomely crafted, elegant solid brass designs in 11 popular NEMA standard size configurations
- Strong, corrosion resistant and coated with transparent lacquer to resist premature oxidation
- Horizontally satin-brushed surface finish resists fingerprints
- Matching brass-plated steel screws resist damage during installation

- All plates are coated with clear, removable PVC to safeguard the surface during handling and installation

- Solid brass material is a 70/30 alloy (#26C), .040" (1.02mm) thick

#### Testing & code compliance

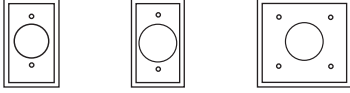
- Listed to UL514D, file no. E92003

#### Material characteristics

- Temperature rating: -40°C to 70°C (-40°F to 158°F)

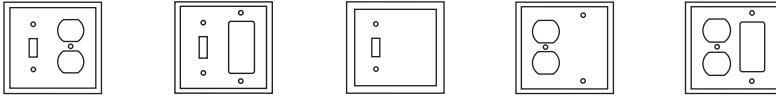
Compliances, specifications and availability are subject to change without notice.

### Power outlet



Gang	Standard size				Mid-size				Oversize	
	Thermoset	Nylon	Stainless steel	Chrome	Thermoset	Polycarbonate	Screwless	Stainless steel	Thermoset	Stainless steel
1-1.40" Hole	2131__	5131__	93091	—	—	PJ7__	—	—	2731__	93891
1-1.59" Hole	—	—	93111	—	—	PJ720__	—	—	—	—
1-2.15" Hole	—	—	93221	39CH	2068__	PJ724__	—	—	—	—
2-2.15" Hole	2168__	—	93227	68	—	PJ703__	—	—	—	—

### Combination

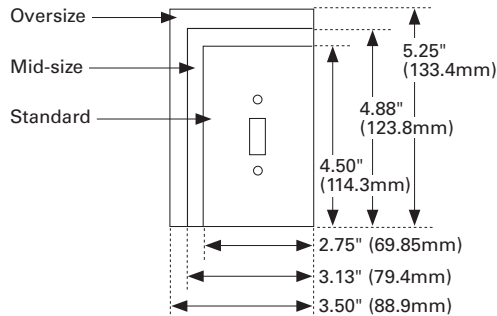


Gang	Standard size				Mid-size			Oversize
	Thermoset	Nylon	Stainless steel	Brass	Thermoset	Polycarbonate	Stainless steel	Thermoset
Toggle & duplex receptacle	2138__	5138__	93532	94532	2038__	PJ18__	93932	2148__
Toggle & decorator	2153__	5153__	93432	94432	2053__	PJ126__	93937	—
Toggle & blank	—	5171__	—	—	—	PJ113__	—	—
Duplex receptacle & blank	—	5170__	—	—	—	PJ138__	—	—
Duplex receptacle & decorator	2157__	—	—	—	—	PJ826__	—	—



Gang	Standard size			Mid-size
	Thermoset	Nylon	Stainless steel	Polycarbonate
2 Toggles & duplex receptacle	2158__	5158__	93543	PJ28__
2 Toggles & decorator	2173__	—	93443	PJ226__

### Size options



### Color ordering information:

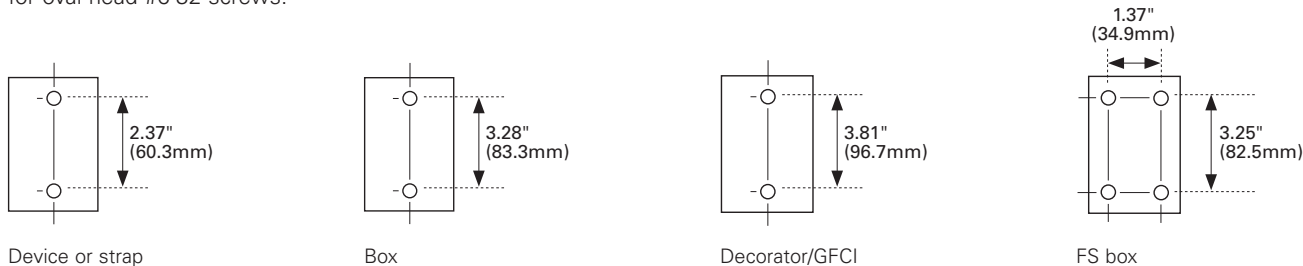
A (Almond), B (Brown), BK (Black), BL (Blue), GY (Gray), LA (Light Almond), RD (Red), V (Ivory), W (White), Brass, Stainless Steel, BB (Brushed Bronze)



\*Note: See pages C-9 – C-24 for full specifications and available color options.  
**Compliances, specifications and availability are subject to change without notice.**

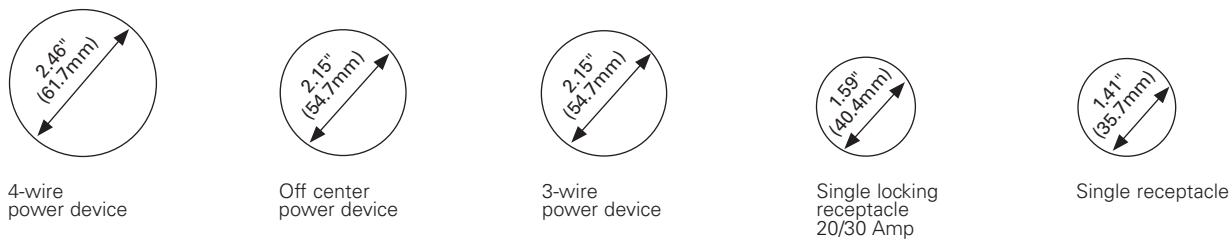
## Mounting holes for wallplates and covers

These are the most common nominal spacings for mounting holes on wallplates and covers. Holes are normally countersunk for oval head #6-32 screws.



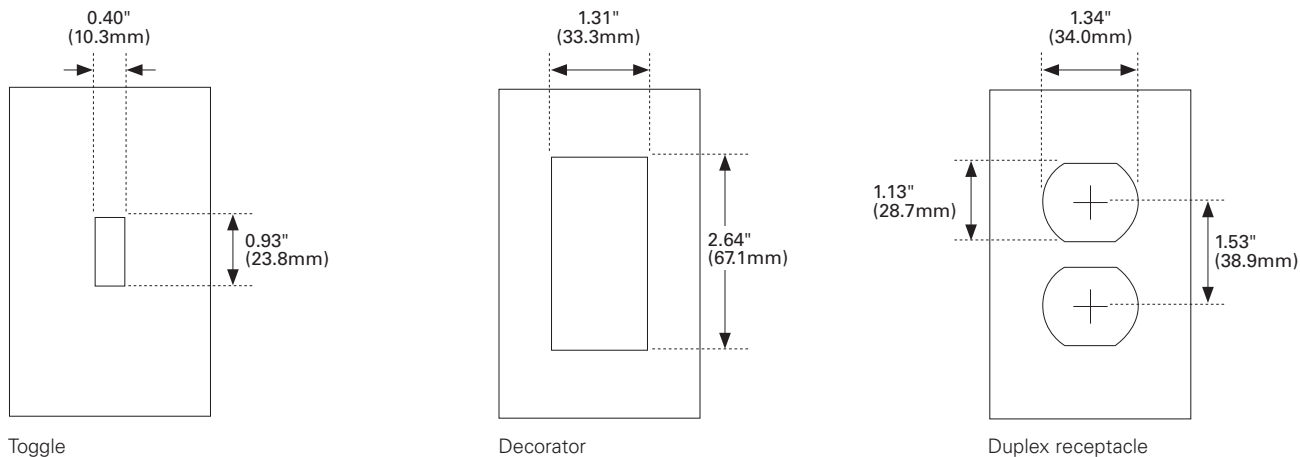
## Cover opening dimensions

Nominal dimensions for cover openings conform to industry standards and practices.



## Plate opening dimensions

Nominal dimensions for plate openings conform to industry standards and practices.

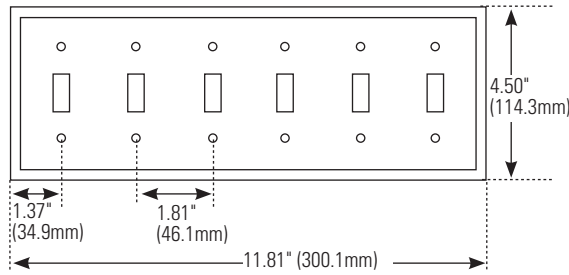


Compliances, specifications and availability are subject to change without notice.

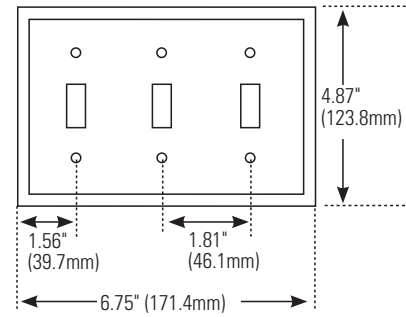
## Wallplate sizes

Gang	Description	Height	Width	First gang to edge	Gang to gang
1-Gang	Standard	4.50" (114.3mm)	2.75" (34.9mm)	1.37" (34.9mm)	—
	Mid-size	4.87" (123.8mm)	3.13" (79.4mm)	1.56" (39.7mm)	—
	Oversize	5.25" (133.4mm)	3.5" (88.9mm)	1.75" (44.4mm)	—
2-Gang	Standard	4.50" (114.3mm)	4.56" (115.9mm)	1.37" (34.9mm)	1.81" (46.0mm)
	Mid-size	4.87" (123.8mm)	4.94" (125.4mm)	1.56" (39.7mm)	1.81" (46.0mm)
	Oversize	5.25" (133.4mm)	5.31" (134.9mm)	1.75" (44.4mm)	1.81" (46.0mm)
3-Gang	Standard	4.50" (114.3mm)	6.37" (161.9mm)	1.37" (34.9mm)	1.81" (46.0mm)
	Mid-size	4.87" (123.8mm)	6.75" (171.4mm)	1.56" (39.7mm)	1.81" (46.0mm)
	Oversize	5.25" (133.4mm)	7.17" (182.2mm)	1.75" (44.4mm)	1.81" (46.0mm)
4-Gang	Standard	4.50" (114.3mm)	8.19" (207.9mm)	1.37" (34.9mm)	1.81" (46.0mm)
	Mid-size	4.87" (123.8mm)	8.56" (217.5mm)	1.56" (39.7mm)	1.81" (46.0mm)
	Oversize	5.25" (133.4mm)	8.94" (227.0mm)	1.75" (44.4mm)	1.81" (46.0mm)
5-Gang	Standard	4.50" (114.3mm)	10.00" (254.0mm)	1.37" (34.9mm)	1.81" (46.0mm)
	Mid-size	4.87" (123.8mm)	10.37" (263.5mm)	1.56" (39.7mm)	1.81" (46.0mm)
6-Gang	Standard	4.50" (114.3mm)	11.81" (300.0mm)	1.37" (34.9mm)	1.81" (46.0mm)
	Mid-size	4.87" (123.8mm)	12.18" (309.5mm)	1.56" (39.7mm)	1.81" (46.0mm)

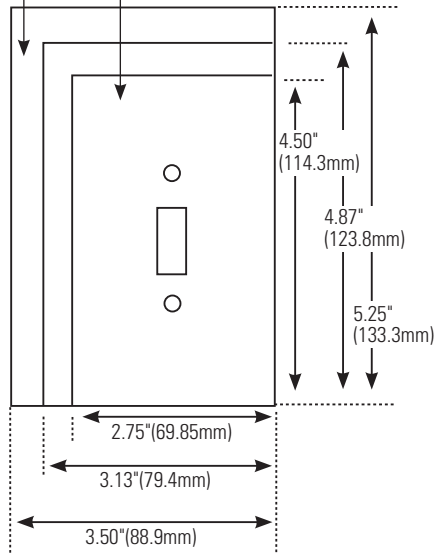
**Standard**



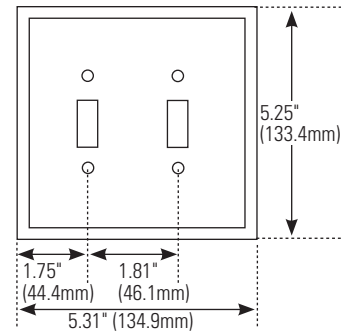
**Mid-size**



**Oversize Mid-size Standard**



**Oversize**



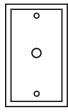
Compliances, specifications and availability are subject to change without notice.

## Standard size combination wallplates

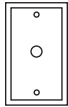
### Product description

1-Gang, 2-Gang

### Telephone & coax



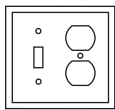
0.38" Hole



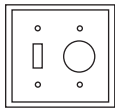
0.63" Hole

Gang	Material	Color suffix	Catalog no.		
1-Gang with 0.38" (9.5mm) hole	Nylon	B, GY, V, W	□ 5128__	•	•
	Thermoset	A, B, LA, V, W	□ 2128__	•	•
	302/304 Stainless steel	—	□ 93696	•	•
1-Gang with 0.63" (15.9mm) hole	Nylon	B, GY, V, W	□ 5159__	•	•
	Thermoset	A, B, BK V, W, LA, V, W	□ 2159__	•	•
	302/304 Stainless steel	—	□ 93591	•	•

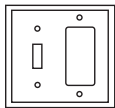
### Combination 2-gang



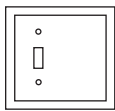
Toggle & duplex receptacle



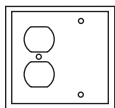
Toggle & single receptacle



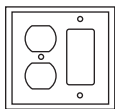
Toggle & decorator



Toggle & blank



Duplex receptacle & blank



Duplex receptacle & decorator

Gang	Material	Color suffix	Catalog no.		
2-Gang toggle & duplex receptacle	Nylon	A, B, BK, GY, LA, V, W	□ 5138__	•	•
	Thermoset	A, B, LA, V, W	□ 2138__	•	•
	302/304 Stainless steel	—	□ 93532	•	•
	Brass	—	□ 94532	•	•
2-Gang toggle & single receptacle	302/304 Stainless steel	—	□ 93512	•	•
2-Gang toggle & decorator	Nylon	A, B, BK, GY, LA, V, W	□ 5153__	•	•
	Thermoset	A, B, LA, V, W	□ 2153__	•	•
	302/304 Stainless steel	—	□ 93432	•	•
2-Gang toggle & blank	Brass	—	□ 94432	•	•
2-Gang toggle & blank	Nylon	A, B, BK, LA, V	□ 5171__	•	•
2-Gang duplex receptacle & blank	Nylon	A, B, BK, LA, V	□ 5170__	•	•
2-Gang duplex receptacle & decorator	Thermoset	A, LA, V, W	□ 2157__	•	•

### Color ordering information:

For ordering devices, include Catalog no. followed by the Color suffix: A (Almond), B (Brown), BK (Black), GY (Gray), LA (Light Almond), V (Ivory), W (White), Brass, Stainless Steel

<b>A</b>	<b>B</b>	<b>BK</b>	<b>GY</b>	<b>LA</b>	<b>V</b>	<b>W</b>		
(Almond)	(Brown)	(Black)	(Gray)	(Lt. Almond)	(Ivory)	(White)	(Brass)	(Stainless Steel)

**Certification information:** 2000 and 5000 series wallplates are cULus certified; 93000 series wallplates are UL and CSA certified; 94000 are UL certified **Dimensional information:** C-5, C-6 **Specification information:** Please visit [www.eaton.com/wiringdevices](http://www.eaton.com/wiringdevices)  
**Compliances, specifications and availability are subject to change without notice.**

Indicates NAFTA compliant - Page G-21

RoHS compliant - Page G-21