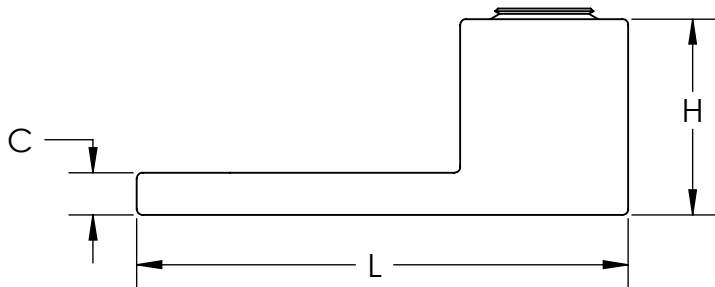
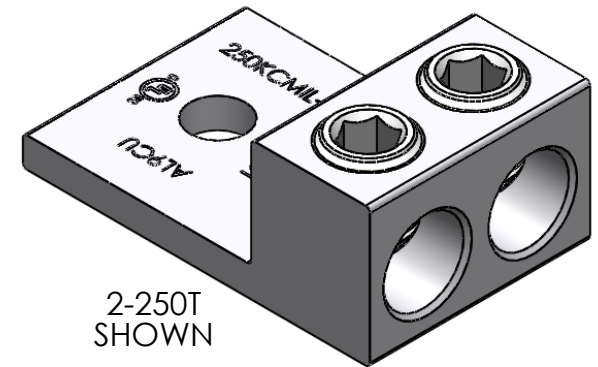
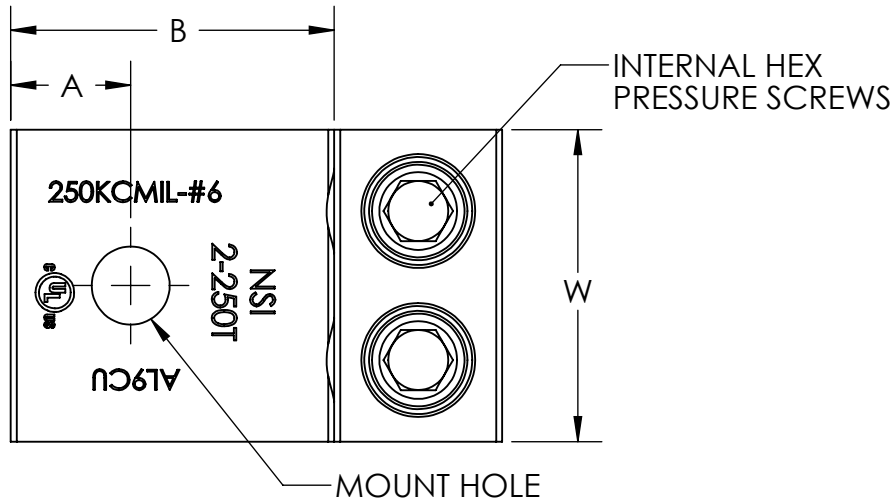




PART#	WIRE RANGE	HEX SIZE	L	H	W	A	B	C	MOUNT HOLE
2-0T	1/0 - 14 AWG	3/16	1.47	.79	1.13	.44	.84	.19	1/4
2-2/0T	2/0 - 14 AWG	3/16	1.47	.79	1.25	.44	.84	.19	1/4
2-250T	250KCMIL - 6 AWG	5/16	2.56	1.02	1.63	.63	1.69	.22	3/8
2-350T	350KCMIL - 6 AWG	5/16	2.88	1.13	1.92	.63	1.88	.25	3/8
2-600T	600KCMIL - 2 AWG	3/8	3.18	1.51	2.41	.63	1.93	.38	1/2
2-800T	800 - 300KCMIL	1/2	3.25	1.69	2.75	.88	1.88	.44	1/2
2-1000T	1000 - 500KCMIL	9/16	3.25	1.88	3.19	.88	1.75	.44	1/2



- NOTES:
1. TIN PLATED 6061-T6511 ALUMINUM ALLOY.
  2. UL LISTED 90° C FOR COPPER AND ALUMINIUM CONDUCTOR.

CONTACT NSi FOR SALES @ 800.321.5847

		<b>POLARIS</b> SALES . CO . INC	
<small>PROPRIETARY AND CONFIDENTIAL</small>		<small>11625 PROSPEROUS DRIVE ODESSA, FL 33556</small>	
<small>THE INFORMATION CONTAINED IN THIS DRAWING IS THE SOLE PROPERTY OF POLARIS SALES CO. INC. ANY REPRODUCTION IN PART OR AS A WHOLE WITHOUT THE WRITTEN PERMISSION OF POLARIS SALES CO. INC. IS PROHIBITED.</small>		<b>TITLE:</b> NSi TWO PORT LUG SERIES	
<small>NAME</small> S.PARRY		<small>DATE</small> 9/17/2012	
<small>DRAWN BY</small>		<b>DWG. NO.</b> 2-_T-SERIES	
<b>MATERIAL:</b> SEE NOTE		<b>SCALE:</b> 1:1	
		<b>SHEET:</b> 1 OF 1	