

Project		Catalog #		Type	
Prepared by		Notes		Date	



Metalux

SK-12, SK-14, SK-22, SK-24

2x2, 2x4, 1x4, and 1x2 Surface Mount Kits
Field Install Version

Typical Applications

Plenum-less spaces. • Retrofits • Remodel projects

Interactive Menu

- Product Specifications [page 2](#)
- Dimensional Details [page 2](#)
- Mounting Details [page 3](#)
- Compatibility Matrix [page 4](#)
- Product Warranty

Product Certification



Top Product Features

- The Metalux universal field install surface mount kits allow for numerous recessed fixture families from Cooper Lighting Solution's to be installed in plenum-less spaces
- Ideal for retrofits, remodel projects, or where a recessed fixture is preferred but plenum space is not available
- Works with 2' x 2', 2' x 4', 1' x 4' and 1' x 2' Metalux, Fail-Safe and Corelite product series
- See Compatibility Matrix (page 4) and Ordering Information below for specific availability

Order Information

Stock or MTO	Size	Catalog Number	Description
Stock	2' x 4'	SK-24-WS	2' x 4' Surface Mount Kit, Shallow
Stock	2' x 4'	SK-24-WT	2' x 4' Surface Mount Kit, Tall
Stock	2' x 2'	SK-22-WS	2' x 2' Surface Mount Kit, Shallow
Stock	2' x 2'	SK-22-WT	2' x 2' Surface Mount Kit, Tall
Stock	1' x 4'	SK-14-WT*	1' x 4' Surface Mount Kit, Tall
Stock	1' x 2'	SK-12-WT	1' x 2' Surface Mount Kit, Tall

NOTES: The weight of the installed luminaire (ONLY) not to exceed 40 lbs.
Flex cables sold separately.
Review Compatibility Matrix before placing order for recessed luminaire.
*SkyRidge 1' x 4' fixture with curved reflector ("-C-") does not fit the 1' x 4' kit without requirement for special bracket, please submit PDR request for order processing.

Product Specifications

Construction

- Feature snap-together frame design constructed of deformed 20 gauge cold rolled steel
- Both 2' x 2' and 2' x 4' kits are offered in two depths, a Shallow (4-15/16") and Tall (5-1/16") to accommodate an array of fixture types and options
- 1' x 4' and 1' x 2' are only offered in a Tall (5-1/16") version
- Composite end caps provide simple snap on attachment to housing for convenience
- Additional safety #10 screws can be used if necessary at pre-tap locations
- Four access plate knockouts provide flexible installation and supply connection

- A set of four mounting points are provided for surface mounting, for pendant mount six mounting points are provided for either two or four point suspension
- Cooper Lighting Solutions SCA (1/2" O.D.) suspension sets (#SCA-48-B) are recommended for stem mounting

Finish

- Durable cold rolled steel housing is finished in high reflectance white using electrostatically applied polyester powder coat paint to ensure maximum rust inhibition
- End caps provide matching matte white finish.

Compliance

- Field install universal surface mount kits are UL recognized accessories

Mounting

- Both versions are designed to provide a means for surface or pendant mounting

Warranty

- One year warranty

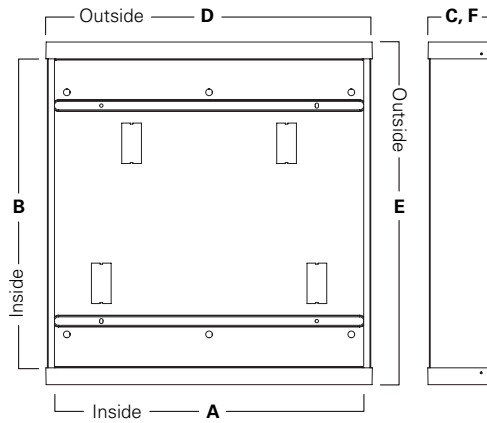
Dimensional Details

Inside

		SK-24-WS	SK-24-WT	SK-22-WS	SK-22-WT
A	Width	24"	24"	24"	24"
B	Length	48-1/16"	48-1/16"	24-1/16"	24-1/16"
C	Height	4-15/16"	6-3/8"	4-15/16"	6-3/8"

Outside

		SK-24-WS	SK-24-WT	SK-22-WS	SK-22-WT
D	Width	24-1/4"	24-1/4"	24-1/4"	24-1/4"
E	Length	49-1/2"	49-1/2"	25-1/2"	25-1/2"
F	Height	5-1/16"	6-5/8"	5-1/16"	6-5/8"

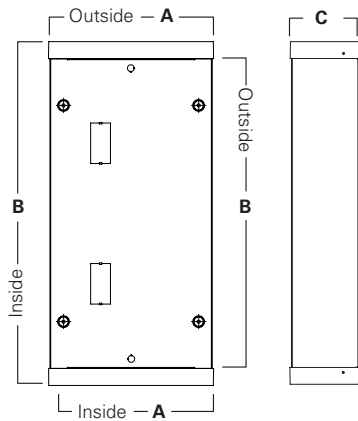


Inside

		SK-14-WT	SK-12-WT
A	Width	12"	12"
B	Length	48-1/16"	24-1/16"
C	Height	6-1/4"	6-1/4"

Outside

		SK-14-WT	SK-12-WT
A	Width	12-3/16"	12-3/16"
B	Length	49-7/16"	25-7/16"
C	Height	6-9/16"	6-9/16"



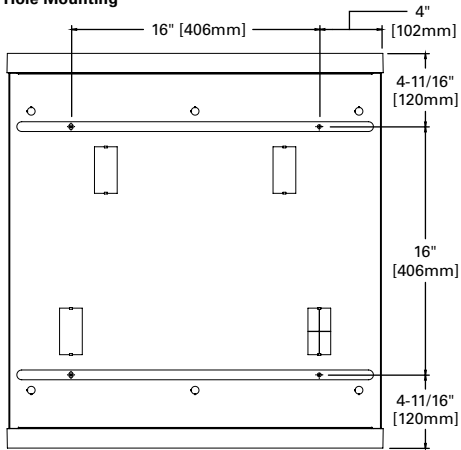
Shipping Data

Catalog No.	Wt.
SK-22-WS	12 lbs.
SK-24-WS	21 lbs.
SK-22-WT	14 lbs.
SK-24-WT	24 lbs.
SK-14-WT	13 lbs.
SK-12-WT	7 lbs.

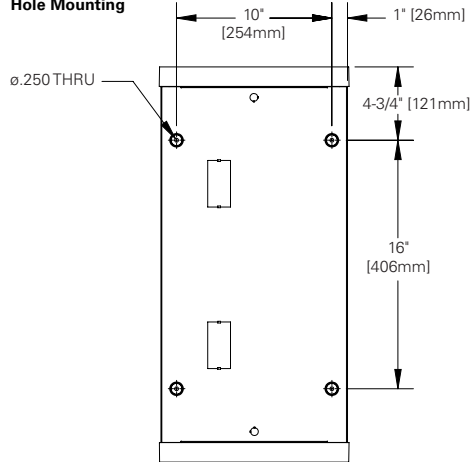
 additional product diagrams

Mounting Details

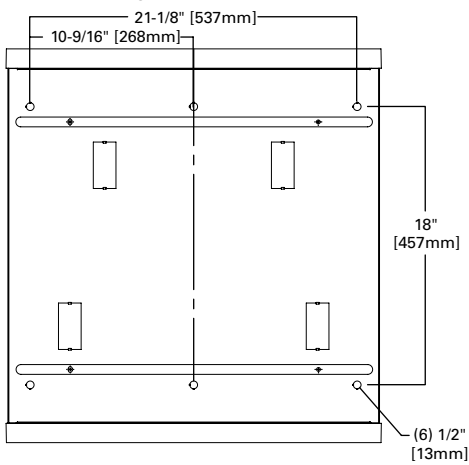
Hole Mounting



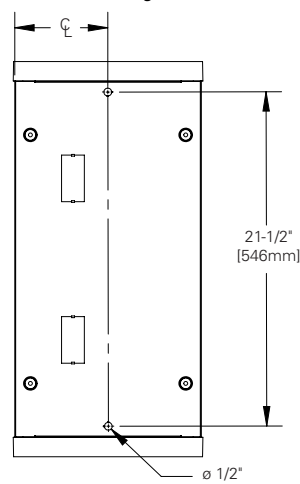
Hole Mounting



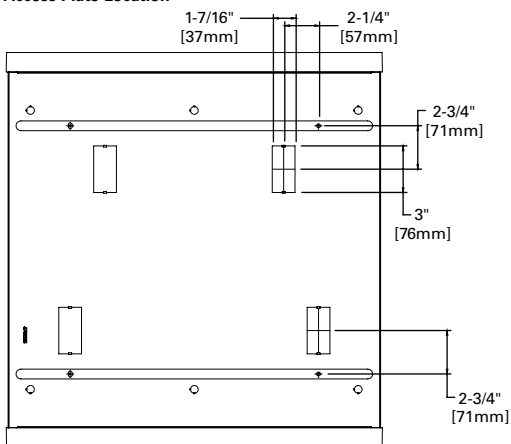
Pendant Mounting



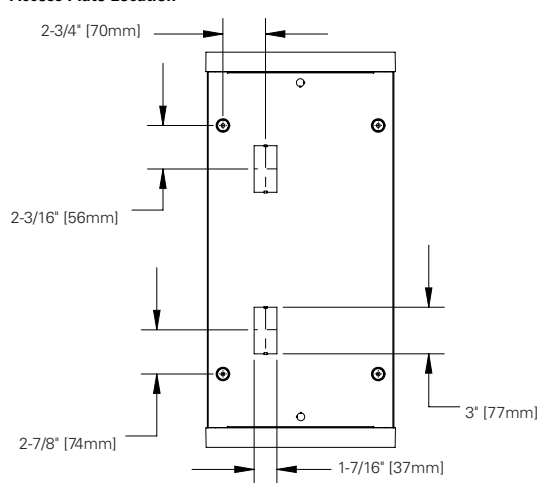
Pendant Mounting



Access Plate Location



Access Plate Location



Compatibility Matrix ✔ LED ● Fluorescent

	Shallow Design		Tall Design			
	2' x 2'	2' x 4'	2' x 2'	2' x 4'	1' x 4'	1' x 2'
	SK-22-WS	SK-24-WS	SK-22-WT	SK-24-WT	SK-14-WT	SK-12-WT
Metalux						
Accord	✔	✔			✔	
Cruze ST/SB	✔	✔			✔	
Encounter	✔	✔			✔	✔
FP/FPX ⁽¹⁾	✔	✔			✔	
GC			●	●	●	
GR	✔	✔			✔ ●	
InDepth	✔	✔			✔	
Ovation			✔		✔	
Parabolics ⁽⁴⁾			●	●		
Perceive PD	✔	✔			✔	
RLN	✔	✔			✔	
SkyRidge ⁽²⁾			✔	✔	✔	✔
SP	✔				✔	
Fail-Safe⁽³⁾						
ENC/ENV/ENW	✔	✔			✔	✔
FCB	✔	✔			✔	
FCZ	✔	✔			✔	
FSP	✔	✔			✔	
GRV	✔	✔			✔	
GRW	✔	✔			✔	
Corelite						
Class D3X	✔	✔			✔	
Class R2X	✔	✔			✔	
Class R3/Z3	✔	✔			✔	
Class RX/ZX	✔	✔			✔	
InDepth	✔	✔			✔	

Notes: (1) FP/FPX also compatible with other Surface Mount Kits. Consult specification sheets for more details.

(2) SkyRidge 1' x 4' fixture with curved reflector ("C-") does not fit the 1' x 4' kit without requirement for special bracket, please submit PDR request for order processing.

(3) Fail-Safe fixtures with emergency do not fit either kit size.

(4) Covers 2P2G, 2EP3, 2HP2, 2HP3, OpticaHP, 2PGAX does not fit kits