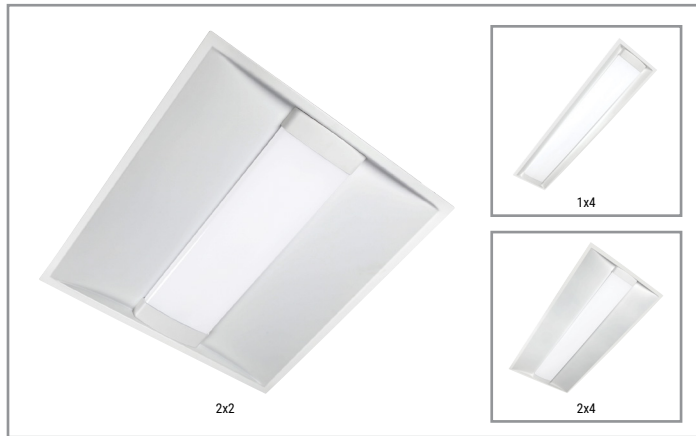


Project		Catalog #		Type	
Prepared by		Notes		Date	



# Metalux

## Achieva™ Selectable Center Basket

Achieva™ Selectable Lumens and CCT Troffer  
1x4 / 2x2 / 2x4

### Typical Applications

Offices • Education • Healthcare • Retail

### Interactive Menu

- Order Information/Performance page 2
- Photometric Data page 3
- Product Specifications page 4
- Product Warranty

### Product Certification



### Product Features

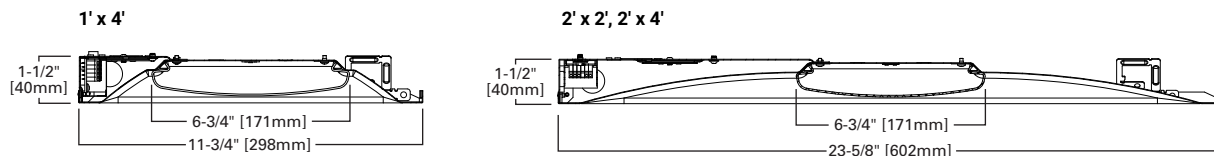


### Top Product Features

- Selectable lumens (low/medium/high) and selectable CCT (3500K/4000K/5000K) for use in a variety of applications and stock simplicity
- Selectable lumens offered in both standard selectable and high output selectable options
- Shallow plenum - 1.5" depth fits the most challenging spaces
- 0-10V dimming to 5% standard with 120-277V UNV
- Fully assembled driver integrated without exposed wires in the plenum.
- Emergency, Wavelinx, and Flex options available
- Integrated grid clips with holes for retaining wire and end hole to enable secure attachment to the grid where required
- Matches Achieva Surface for one family look across a space (Coming Q4)

## Achieva Dimensions

(Full Dimensions on Page 3)



### Ceiling Compatibility

G	G	G	Ceiling Type	Trim Type
Grid/Lay-in Standard	Concealed T	Slot Grid	Exposed Grid	Standard
			Concealed T	Standard
			Slot Grid	Standard
			Flange	*

\*See Drywall Frame Kit Accessory in Ordering Information Section

See page 4 for Junction Box details for ARS

[additional product diagrams](#)



## Achieva Ordering Information/Performance

Size	Catalog Number	Pack	Lumen Setting	CCT	CRI (Min)	Delivered Nominal Lumens	Watts	Efficacy (lm/W)	
2x4	24ARS-L3C3-UNV	Single Carton	Low	3500K	80	3407	24.8	137	
				4000K	80	3532	24.2	146	
				5000K	80	3519	24.9	141	
		24ARS-L3C3-UNV-MP2	Multi-Pack (2)	Medium	3500K	80	4566	34.4	133
					4000K	80	4777	33.3	143
					5000K	80	4718	34.5	137
				High	3500K	80	5877	47.0	125
					4000K	80	6254	45.5	138
					5000K	80	6120	47.3	130
2x4	24ARS-L3C3-HO-UNV	Single Carton	Low	3500K	80	6331	47.5	133	
				4000K	80	6630	46.0	144	
				5000K	80	6528	47.6	137	
			Medium	3500K	80	6971	53.5	130	
				4000K	80	7332	51.6	142	
				5000K	80	7186	53.6	134	
			High	3500K	80	7652	60.9	126	
				4000K	80	8158	58.4	140	
				5000K	80	8064	60.7	133	
2x2	22ARS-L3C3-UNV	Single Carton	Low	3500K	80	2767	20.8	133	
				4000K	80	2867	20.2	142	
				5000K	80	2823	20.8	136	
		22ARS-L3C3-UNV-MP4	Multi-Pack (4)	Medium	3500K	80	3488	27.2	129
					4000K	80	3646	26.3	139
					5000K	80	3563	27.2	131
				High	3500K	80	4183	33.4	125
					4000K	80	4308	32.9	131
					5000K	80	4229	33.3	127
2x2	22ARS-L3C3-HO-UNV	Single Carton	Low	3500K	80	5001	38.4	130	
				4000K	80	5263	37.0	142	
				5000K	80	5142	38.4	134	
			Medium	3500K	80	5417	42.3	128	
				4000K	80	5705	40.7	140	
				5000K	80	5551	42.2	131	
			High	3500K	80	5973	46.8	128	
				4000K	80	6372	45.1	141	
				5000K	80	6204	46.8	133	
1x4	14ARS-L3C3-UNV	Single Carton	Low	3500K	80	2790	20.5	136	
				4000K	80	2890	19.9	145	
				5000K	80	2871	20.6	140	
			Medium	3500K	80	3530	26.8	132	
				4000K	80	3695	25.9	142	
				5000K	80	3632	26.9	135	
			High	3500K	80	4584	34.4	133	
				4000K	80	4647	32.9	141	
				5000K	80	4579	34.1	134	

## Achieva options

Catalog	Description	Example	Notes
EL7W	7W EM Pack, Installed	22ARS-L3C3-UNV-EL7W	Integrated Indicator/Test Switch into end cap
EL14W	14W EM Pack, Installed	24ARS-L3C3-UNV-EL14W	Integrated Indicator/Test Switch into end cap
A3/8-5/18GDIM	6' Length, 3/8" Cable, 3 Wire, 3 Dimming Leads, Ground	24ARS-L3C3-UNV-A3/8-5/18GDIM	
EL7W-A3/8-5/18GDIM EL14W-A3/8-5/18GDIM	7W/14W EM Pack, Installed, and 6' Flex, 3/8" Cable, 3 Wire, 2 Dimming Leads, Ground	24ARS-L3C3-UNV-EL7W-A3/8-5/18GDIM 22ARS-L3C3-UNV-EL14W-A3/8-5/18GDIM	EL7W and EL14W only use 5/18G flex with emergency. EM pack is always specified before (to the left of) the flex, in the catalog number.
WAB	WaveLinX Lite Wireless Integrated Sensor	22ARS-L3C3-UNV-WAB	Sensor Integrated into end cap
WAA	WaveLinX Wireless Integrated Sensor	24ARS-L3C3-UNV-WAA	Sensor Integrated into end cap

\*Emergency + Sensor Available (EL7W/EL14W + WAA/WAB)

## Achieva Shipping Data

Size	Fixture Net Weight	Fixture Gross Weight	Fixture Dimension	Carton Dimension	Fixtures per Carton	Pallet QTY (Cartons)	Pallet QTY (Fixtures)
2' x 2'	6.8 lbs.	9 lbs.	23.7" L x 1.8" W x 23.7" H	25.7" L x 2.8" W x 26.2" H	1	54	54
2' x 4'	11.3 lbs.	15.8 lbs.	47.7" L x 1.8" W x 23.7" H	50.4" L x 2.8" W x 26" H	1	27	27
1' x 4'	7 lbs.	10.2 lbs.	47.7" L x 1.8" W x 11.7" H	50.4" L x 2.8" W x 15.2" H	1	27	27
2' x 2' MP4	6.8 lbs.	31.8 lbs.	23.7" L x 1.8" W x 23.7" H	27.2" L x 8.1" W x 27.4" H	4	12	48
2' x 4' MP2	11.3 lbs.	30.1 lbs.	47.7" L x 1.8" W x 23.7" H	51.2" L x 5.1" W x 27.8" H	2	9	18

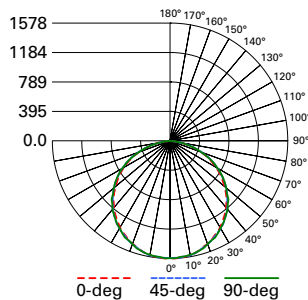
### Accessories

#### Accessories (order separately)

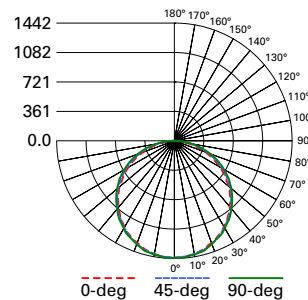
**DF-14W-U**=1' x 4' Drywall Frame Kit  
**DF-22W-U**=2' x 2' Drywall Frame Kit  
**DF-24W-U**=2' x 4' Drywall Frame Kit  
**SK-22-WS**=2' x 2' Shallow Surface Mount Kit  
**SK-24-WS**=2' x 4' Shallow Surface Mount Kit  
**SK-14-WT**=1' x 4' Tall Surface Mount Kit  
**SK-22-WT**=2' x 2' Tall Surface Mount Kit  
**SK-24-WT**=2' x 4' Tall Surface Mount Kit

## Photometric Data

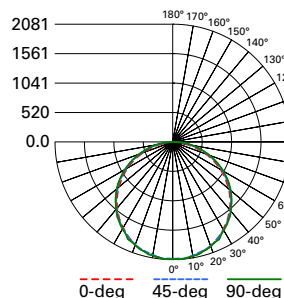
[View IES files](#)



**14ARS-L3C3-UNV-4000K-HI**  
 Electronic Driver  
 Linear LED 4000K  
 Spacing criterion: (II) 1.26 x mounting height, (L) 1.28 x mounting height  
 Lumens: 4647  
 Input Watts: 32.9W  
 Efficacy: 141 LPW  
 Test Report: 14ARS-L3C3-UNV-4000K-HI.IES



**22ARS-L3C3-UNV-4000K-HI**  
 Electronic Driver  
 Linear LED 4000K  
 Spacing criterion: (II) 1.26 x mounting height, (L) 1.28 x mounting height  
 Lumens: 4308  
 Input Watts: 32.9W  
 Efficacy: 131 LPW  
 Test Report: 22ARS-L3C3-UNV-4000K-HI.IES



**24ARS-L3C3-UNV-4000K-HI**  
 Electronic Driver  
 Linear LED 4000K  
 Spacing criterion: (II) 1.27 x mounting height, (L) 1.29 x mounting height  
 Lumens: 6254  
 Input Watts: 45.5W  
 Efficacy: 138 LPW  
 Test Report: 24ARS-L3C3-UNV-4000K-HI.IES

## Achieva Product Specifications

### Construction

- Die formed of code gauge prime cold rolled steel in one-piece housing design
- Four auxiliary fixture end suspension points
- Integral formed one-piece housing improves aesthetic design removing end plate light gaps
- Integrated T-Grid clip design for screw installation to the grid where required by code and in "earthquake" zones

### Integrated Controls

- Standard 0-10V dimming driver down to 5%

### LED and Light Engine

- Selectable Color temperature choices 3500K, 4000K, and 5000K
- Selectable lumen output up to 8000 lumens, with choices of low, medium, high
- TM21 life at 60,000 hours up to L94 and calculated L70 exceeds 290,000 hrs.
- Driver 120-277V Standard

### Emergency Options

- Optional emergency battery available in 7W and 14W
- 90-minute backup period for code compliance
- Factory installed integral test switch visible from room side

### Finish

- Powder Coat matte white
- 90% reflective, matte white enamel finish
- Full fixture housing painted after fabrication

### Shielding

- Rounded ribbed frosted lens standard
- Square ribbed frosted option coming Q1 (Consult Factory)

### Compliance

- IC rated for insulation contact
- cULus listed for damp locations
- RoHS compliant
- Tested to IESNA LM-79 and LM-80
- Stated life tested to TM21 standards
- Can be used for State of California Title 24 high efficacy luminaire
- Can be use for Non-residential T24
- DesignLights Consortium® Qualified and classified for DLC Standard and DLC Premium (refer to [www.designlights.org](http://www.designlights.org))

### Limited Warranty

- Five-year warranty standard. Optional ten year warranty available.

## Dimensional and Mounting Details

