

2-1/2" Raintight Insulated Connector, NPT THREAD

With Bridgeport's newly redesigned Raintight Compression Connectors, 256-RTI2 thru 259-RTI2, contractors can install just one wet location fitting.

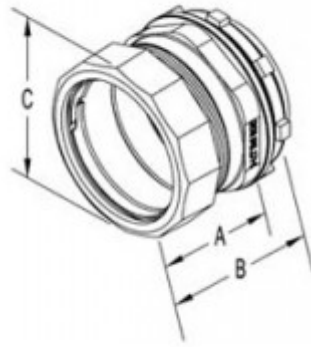
These 2-1/2" thru 4" dual Listed Zinc Alloy fittings come standard with a 105° C temperature rated insulated throat and the words "Rigid / EMT and products intended use. Connector comes with NPT Thread.

Please note that the current offering of non-insulated Raintight EMT only connectors, 256-RT2 thru 259-RT2, will be discontinued.

Patented



[Download Photo](#)



[Download Drawing](#)



[Download Drawing](#)

Product details

Catalog Number:	256-RTI2
UPC Number:	78174719256
Primary Materials:	Zinc Die Cast
Trade Size:	2-1/2"
Standard Package Quantity:	12

Dimensions

Trade Size:	2-1/2"
Dimensions A:	2.18
Dimensions B:	3.26
Dimensions C:	3.56

Certifications & Codes

Federal Specification Number: A-A-50553

UL File Number: E24001

UNSPSC: 39121434

Nema Standard: FB-1

UL Standard: UL-514B

Patent Number: 9,787,070; 9,343,883; 7,976,070; 7,604,261; 7,390,027

Country Of Manufacture: USA