

## 4" Raintight Insulated Connector, NPT THREAD

With Bridgeport's newly redesigned Raintight Compression Connectors, 256-RTI2 thru 259-RTI2, contractors can install just one wet location fitting.

These 2-1/2" thru 4" dual Listed Zinc Alloy fittings come standard with a 105° C temperature rated insulated throat and the words "Rigid / EMT and products intended use. Connector comes with NPT Thread.

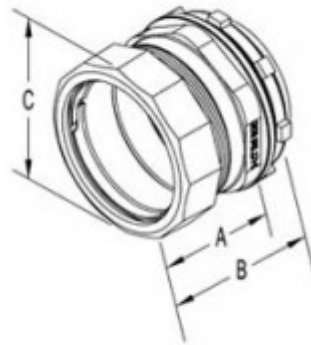
Please note that the current offering of non-insulated Raintight EMT only connectors, 256-RT2 thru 259-RT2, will be discontinued.

The Dual Internal sealing rings create a raintight seal.

Patented



[Download Photo](#)



[Download Drawing](#)



[Download Drawing](#)

### Product details

<b>Catalog Number:</b>	259-RTI2
<b>UPC Number:</b>	78174719259
<b>Primary Materials:</b>	Zinc Die Cast
<b>Trade Size:</b>	4"
<b>Standard Package Quantity:</b>	6

### Dimensions

<b>Trade Size:</b>	4"
<b>Dimensions A:</b>	2.72
<b>Dimensions B:</b>	3.96
<b>Dimensions C:</b>	5.26

## Certifications & Codes

**Federal Specification Number:** A-A-50553

**UL File Number:** E24001

**UNSPSC:** 39121434

**Nema Standard:** FB-1

**UL Standard:** UL-514B

**Country Of Manufacture:** USA