

JUNO®

Project: _____

Fixture Type: _____

Location: _____

Contact/Phone: _____

6" TC 900 LUMEN LED DOWNLIGHT NEW CONSTRUCTION

TC22LED (G4 09LM) RECESSED HOUSING



OPEN TRIMS

PRODUCT DESCRIPTION

Dedicated LED new construction housing with integral light engine • Shallow housing allows for fit in 2 x 6 construction • TC housing design for use in non-insulated areas • If installed where insulation is present, the insulation must be pulled back 3" from all sides of the TC housing • LED housing is designed to provide 50,000 hours of life and is compatible with many standard Juno trims • 5 year limited warranty on LED components.

ENVIRONMENTALLY FRIENDLY, ENERGY EFFICIENT

- No harmful ultraviolet or infrared wavelengths
- No lead or mercury
- Comparable light output to 26W compact fluorescent while consuming only 18W*

PRODUCT SPECIFICATIONS

LED Light Engine LED array integrated to one piece high purity aluminum, thermally conductive housing provides uninterrupted heat transfer to ensure long life of the LED • Replaceable light engine mounts directly to housing and incorporates the latest generation, high lumen output LED array • LEDs are binned within a 3-Step MacAdam Ellipse • 2700K, 3000K, 3500K or 4000K color temperatures available • 90 CRI minimum.

Optical System Computer-optimized reflector design with high reflectance white finish coupled with a high transmission diffusing lens conceals the LEDs and produces uniform aperture luminance • Deep regression of lens produces a low glare, efficient system that can produce over 900 lumens with select trims using less than 17W* • Wide flood (>70°) distribution shipped as standard with optional optic accessories available and sold separately.

Aesthetic Trim Selections Compatible with wide selection of existing Juno trims • Shadow free, knife edge design blends seamlessly into ceiling.

LED Driver Universal voltage drivers that accommodate input voltage from 120-277 volts AC at 50/60Hz are available and dimmable with the use of most 0-10V dimmers • Power factor > 0.9 at 120V input • Optional Lutron Hi-Lume® A-Series driver accommodates 120-277 volts AC at 50/60Hz • Mounted between the j-box and housing for easy access and cool operation • For a list of compatible dimmers, see [JUNOTCLED-DIM](#).

Emergency Battery Option Battery factory assembled to housing with remote mounted test switch included • Drives LED array for 90 minutes to meet Life Safety Code (NFPA-LSC), National Electrical Code (NEC) and UL requirements • Provides 50% light output in emergency mode.

Life Rated for 50,000 hours at 70% lumen maintenance.

Labels UL listed for U.S. and Canada through-branch wiring, damp locations • Union made • UL and cUL listed.

Testing All reports are based on published industry procedures; field performance may differ from laboratory performance.

Specifications subject to change without notice.

HOUSING FEATURES

Housing Designed for use in TC applications (non-insulated) • Aluminum housing • Housing is vertically adjustable to accommodate up to a 2" ceiling thickness.

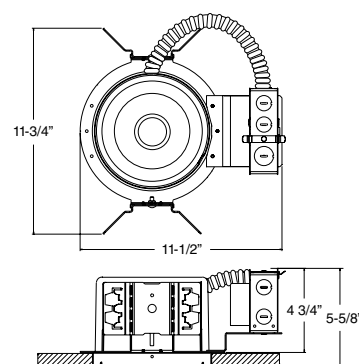
Junction Box Pre-wired junction box provided with (5) 1/2" and (1) 3/4" knockouts and ground wire, UL listed and cUL listed for through-branch wiring, maximum 8 No. 12 AWG 90° C branch circuit conductors (4 in, 4 out) • Junction box provided with removable access plates • Knockouts equipped with pryout slots.

Mounting Frame 16-gauge galvanized steel mounting ring equipped with vertically adjustable mounting brackets that accept 1/2" conduit or "C" channels (HB26 or HB50), linear flat bars (LB27) or Patented (US Patent D552,969) Real Nail® 3 bar hangers (HB1).

*Nominal input wattage with universal voltage driver under stable operating conditions



DIMENSIONS



6 7/8" CEILING CUTOUT

ELECTRICAL DATA

STANDARD UNIVERSAL VOLTAGE DRIVER (MVOLT EZ10, MVOLT ZT10, MVOLT EZ1 and MVOLT ZT1)

	120V	277V
Input Power	16.1W (+/-5%)	16.9W (+/-5%)
Input Current - Max	0.14A	0.06A
Frequency	50/60Hz	50/60Hz
EMI/RFI	FCC Title 47 CFR, Part 15, Class B (residential)	FCC Title 47 CFR, Part 15, Class B (residential)
Minimum starting temp	-20°C (-40°F)	-20°C (-40°F)

UNIVERSAL VOLTAGE DRIVER WITH EMERGENCY OPTION (MVOLT ZT10 BR, EZ10 BR, ZT1 BR and EZ1 BR)

	120V	277V
Input Power	18.9W (+/-5%)	19.6W (+/-5%)
Input Current - Max	0.16A	0.07A
Frequency	50/60Hz	50/60Hz
EMI/RFI	FCC Title 47 CFR, Part 15, Class A (Commercial)	FCC Title 47 CFR, Part 15, Class A (Commercial)
Minimum starting temp	0°C (32°F)	0°C (32°F)

LUTRON HI-LUME® LED DRIVER (ECOD)

	120V	277V
Input Power	17.8W (+/-5%)	17.8W (+/-5%)
Input Current - Max	0.15A	0.06A
Frequency	50/60Hz	50/60Hz
EMI/RFI	FCC Title 47 CFR, Part 15, Class A (Commercial)	FCC Title 47 CFR, Part 15, Class A (Commercial)
Minimum starting temp	0°C (32°F)	0°C (32°F)

6" TC 900 LUMEN LED DOWNLIGHT NEW CONSTRUCTION

TC22LED (G4 09LM) RECESSED HOUSING OPEN TRIMS

ORDERING INFORMATION Housing and trim can be ordered together or separate, but will always ship separately.

Example: TC22LED G4 09LM 27K 90CRI MVOLT ZT BR

Series	Generation	Lumens	Color Temperature	CRI	Voltage/Driver
TC22LED 6" LED Downlight Non-IC Rated Housing	G4 Generation 4	09LM 900 Nominal Lumens	27K 2700K	90CRI 90+ CRI	MVOLT ZT10 Multi-Volt (120-277), 0-10V, 10% dim
			30K 3000K		MVOLT ZT1 Multi-Volt (120-277), 0-10V, 1% dim
			35K 3500K		MVOLT EZ10 Multi-Volt (120-277), eldoLED 0-10V, 10% dim
			40K 4000K		MVOLT EZ1 Multi-Volt (120-277), eldoLED 0-10V, 1% dim
					MVOLT ECOD Multi-Volt (120-277), Lutron Hi-Lume EcoSystem, 1% Dimming

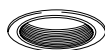

Emergency Battery	Territory
BR Emergency Battery	CP Chicago Plenum

Note: Chicago Plenum (CP) is not available with emergency option (BR)
Note: Lutron driver (MVOLT ECOD) is not available with emergency battery pack (BR)



A+ Capable options indicated by this color background

Trim/Description

	24 WWH	6" Tapered Downlight Baffle Trim - White Baffle, White Trim Ring
	24 BWH	6" Tapered Downlight Baffle Trim - Black Baffle, White Trim Ring
	24 BSC	6" Tapered Downlight Baffle Trim - Black Baffle, Satin Chrome Trim Ring
	24 BBRZ	6" Tapered Downlight Baffle Trim - Black Baffle, Bronze Trim Ring
	24 BBL	6" Tapered Downlight Baffle Trim - Black Baffle, Black Trim Ring
	27 BWH	6" Tapered Downlight Cone Trim - Black Cone, White Trim Ring
	27 CWH	6" Tapered Downlight Cone Trim - Clear Alzak® Cone, White Trim Ring
	27 GWH	6" Tapered Downlight Cone Trim - Gold Cone, White Trim Ring
	27 HZWH	6" Tapered Downlight Cone Trim - Haze Cone, White Trim Ring
	27 PTSC	6" Tapered Downlight Cone Trim - Pewter Cone, Satin Chrome Trim Ring
	27 WHZBRZ	6" Tapered Downlight Cone Trim - Wheat Haze Cone, Bronze Trim Ring
	27 WHZWH	6" Tapered Downlight Cone Trim - Wheat Haze Cone, White Trim
	27 WWH	6" Tapered Downlight Cone Trim - White Cone, White Trim Ring

Trim Size: 24, 27 - 7 5/8" O.D.

Alzak is a registered trademark of Alcoa Corp.

Note: In Canada when insulation is present, Type IC fixtures must be used.

Notes: ¹ Trim ring compatible with 24 and 27 trims.

Accessories (ordered separately)

Catalog Number	Description
HB1	Two 13 1/2" - 25" Reel Nail® 3 bar hangers
HB26	Two 26" C-channel bar hangers
HB50	Two 50" C-channel bar hangers
LB27	Two 27" linear bar hangers
LEDOPTICG3 MFL	Medium Flood Optic (50°)
LEDOPTICG3 NFL	Narrow Flood Optic (37°)
LEDOPTICG3 SP	Spot Optic (10°)
TR6 BRZ¹	6" Trim Ring - Bronze
TR6 BL¹	6" Trim Ring - Black
TR6 SC¹	6" Trim Ring - Satin Chrome
TR6 WH¹	6" Trim Ring - White

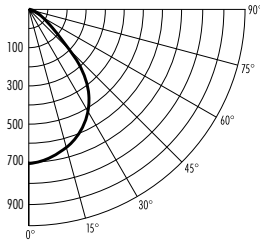
6" TC 900 LUMEN LED DOWNLIGHT NEW CONSTRUCTION

TC22LED (G4 09LM) RECESSED HOUSING
OPEN TRIMS

PHOTOMETRICS

PHOTOMETRIC REPORT

Test Report #: PT02141401R
Catalog No: TC22LED G4 09LM 35K
90CRI MVOLT with 24 WWH White
Trim and Standard Wide Flood Optic
Luminaire Spacing Criterion: 1.16
Luminaire LPW: 70



CANDLEPOWER DISTRIBUTION (Candelas)

Degrees	Candelas
Vertical	0°
0	701
5	694
15	653
25	583
35	457
45	207
55	91
65	45
75	26
85	6
90	0

Multiplier: 27K - 0.93
30K - 0.99
40K - 1.01

AVERAGE INITIAL FOOTCANDLES

Multiple Units (Square Array, 60'x60' room)
Ceiling 80% Wall 50% Floor 20%

Spacing	RCR1	RCR3	RCR5
4.0'	76	63	52
5.0'	49	40	33
6.0'	34	28	23
7.0'	27	23	19
8.0'	22	18	15
9.0'	17	14	11
10.0'	12	10	8

ZONAL LUMEN SUMMARY

Zone	Lumens	%Lamp	%Fixture
0-30°	517	N/A	46.0
0-40°	797	N/A	70.8
0-60°	1046	N/A	92.9
0-90°	1125	N/A	100.0

INITIAL FOOTCANDLES (One Unit, 16.1W, 78.8° Beam)

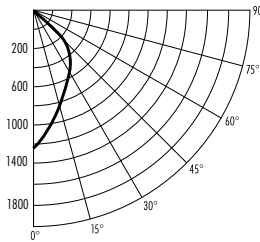
Distance to Illuminated Plane (Feet)	Footcandles Beam Center	Beam Diameter
4	43.8	6.6'
6	19.5	9.9'
8	10.9	13.1'
10	7.0	16.4'

LUMINANCE (Average cd/m²)

Degrees	Average 0° Luminance
45	16031
55	8676
65	5788
75	5507
85	3774

PHOTOMETRIC REPORT

Test Report #: LTL25975R
Catalog No: TC22LED G4 09LM 35K
90CRI MVOLT with 27 CWH Clear Alzak®
Trim and Standard Wide Flood Optic
Luminaire Spacing Criterion: 0.78
Luminaire LPW: 77



CANDLEPOWER DISTRIBUTION (Candelas)

Degrees	Candelas
Vertical	0°
0	1226
5	1151
15	874
25	685
35	477
45	222
55	74
65	15
75	0
85	0
90	0

Multiplier: 27K - 0.93
30K - 0.99
40K - 1.01

AVERAGE INITIAL FOOTCANDLES

Multiple Units (Square Array, 60'x60' room)
Ceiling 80% Wall 50% Floor 20%

Spacing	RCR1	RCR3	RCR5
4.0'	78	71	61
5.0'	50	45	39
6.0'	35	32	27
7.0'	28	26	22
8.0'	22	20	17
9.0'	17	15	13
10.0'	12	11	10

ZONAL LUMEN SUMMARY

Zone	Lumens	%Lamp	%Fixture
0-30°	665	N/A	53.9
0-40°	967	N/A	78.3
0-60°	1218	N/A	98.7
0-90°	1234	N/A	100.0

INITIAL FOOTCANDLES (One Unit, 16.1W, 58.1° Beam)

Distance to Illuminated Plane (Feet)	Footcandles Beam Center	Beam Diameter
4	76.6	4.4'
6	34.0	6.7'
8	19.2	8.9'
10	12.3	11.1'

LUMINANCE (Average cd/m²)

Degrees	Average 0° Luminance
45	19726
55	7703
65	2135
75	0
85	0

Fixtures tested to IES recommended standard for solid state lighting per LM-79-08. Photometric performance on a single unit represents a baseline of performance for the fixture. Results may vary in the field.

JUNO®

Project: _____

Fixture Type: _____

Location: _____

Contact/Phone: _____

6" TC 900 LUMEN LED DOWNLIGHT NEW CONSTRUCTION

TC22LED (G4 09LM) RECESSED HOUSING



OPEN TRIMS

PRODUCT DESCRIPTION

Dedicated LED new construction housing with integral light engine • Shallow housing allows for fit in 2 x 6 construction • TC housing design for use in non-insulated areas • If installed where insulation is present, the insulation must be pulled back 3" from all sides of the TC housing • LED housing is designed to provide 50,000 hours of life and is compatible with many standard Juno trims • 5 year limited warranty on LED components.

ENVIRONMENTALLY FRIENDLY, ENERGY EFFICIENT

- No harmful ultraviolet or infrared wavelengths
- No lead or mercury
- Comparable light output to 26W compact fluorescent while consuming only 18W*

PRODUCT SPECIFICATIONS

LED Light Engine LED array integrated to one piece high purity aluminum, thermally conductive housing provides uninterrupted heat transfer to ensure long life of the LED • Replaceable light engine mounts directly to housing and incorporates the latest generation, high lumen output LED array • LEDs are binned within a 3-Step MacAdam Ellipse • 2700K, 3000K, 3500K or 4000K color temperatures available • 90 CRI minimum.

Optical System Computer-optimized reflector design with high reflectance white finish coupled with a high transmission diffusing lens conceals the LEDs and produces uniform aperture luminance • Deep regression of lens produces a low glare, efficient system that can produce over 900 lumens with select trims using less than 17W* • Wide flood (>70°) distribution shipped as standard with optional optic accessories available and sold separately.

Aesthetic Trim Selections Compatible with wide selection of existing Juno trims • Shadow free, knife edge design blends seamlessly into ceiling.

LED Driver Universal voltage drivers that accommodate input voltage from 120-277 volts AC at 50/60Hz are available and dimmable with the use of most 0-10V dimmers • Power factor > 0.9 at 120V input • Optional Lutron Hi-Lume® A-Series driver accommodates 120-277 volts AC at 50/60Hz • Mounted between the j-box and housing for easy access and cool operation • For a list of compatible dimmers, see [JUNOTCLED-DIM](#).

Emergency Battery Option Battery factory assembled to housing with remote mounted test switch included • Drives LED array for 90 minutes to meet Life Safety Code (NFPA-LSC), National Electrical Code (NEC) and UL requirements • Provides 50% light output in emergency mode.

Life Rated for 50,000 hours at 70% lumen maintenance.

Labels UL listed for U.S. and Canada through-branch wiring, damp locations • Union made • UL and cUL listed.

Testing All reports are based on published industry procedures; field performance may differ from laboratory performance.

Specifications subject to change without notice.

HOUSING FEATURES

Housing Designed for use in TC applications (non-insulated) • Aluminum housing • Housing is vertically adjustable to accommodate up to a 2" ceiling thickness.

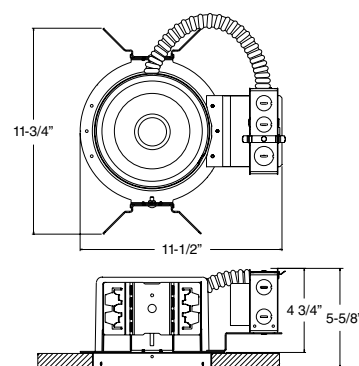
Junction Box Pre-wired junction box provided with (5) 1/2" and (1) 3/4" knockouts and ground wire, UL listed and cUL listed for through-branch wiring, maximum 8 No. 12 AWG 90° C branch circuit conductors (4 in, 4 out) • Junction box provided with removable access plates • Knockouts equipped with pryout slots.

Mounting Frame 16-gauge galvanized steel mounting ring equipped with vertically adjustable mounting brackets that accept 1/2" conduit or "C" channels (HB26 or HB50), linear flat bars (LB27) or Patented (US Patent D552,969) Real Nail® 3 bar hangers (HB1).

*Nominal input wattage with universal voltage driver under stable operating conditions



DIMENSIONS



6 7/8" CEILING CUTOUT

ELECTRICAL DATA

STANDARD UNIVERSAL VOLTAGE DRIVER (MVOLT EZ10, MVOLT ZT10, MVOLT EZ1 and MVOLT ZT1)

	120V	277V
Input Power	16.1W (+/-5%)	16.9W (+/-5%)
Input Current - Max	0.14A	0.06A
Frequency	50/60Hz	50/60Hz
EMI/RFI	FCC Title 47 CFR, Part 15, Class B (residential)	FCC Title 47 CFR, Part 15, Class B (residential)
Minimum starting temp	-20°C (-40°F)	-20°C (-40°F)

UNIVERSAL VOLTAGE DRIVER WITH EMERGENCY OPTION (MVOLT ZT10 BR, EZ10 BR, ZT1 BR and EZ1 BR)

	120V	277V
Input Power	18.9W (+/-5%)	19.6W (+/-5%)
Input Current - Max	0.16A	0.07A
Frequency	50/60Hz	50/60Hz
EMI/RFI	FCC Title 47 CFR, Part 15, Class A (Commercial)	FCC Title 47 CFR, Part 15, Class A (Commercial)
Minimum starting temp	0°C (32°F)	0°C (32°F)

LUTRON HI-LUME® LED DRIVER (ECOD)

	120V	277V
Input Power	17.8W (+/-5%)	17.8W (+/-5%)
Input Current - Max	0.15A	0.06A
Frequency	50/60Hz	50/60Hz
EMI/RFI	FCC Title 47 CFR, Part 15, Class A (Commercial)	FCC Title 47 CFR, Part 15, Class A (Commercial)
Minimum starting temp	0°C (32°F)	0°C (32°F)

6" TC 900 LUMEN LED DOWNLIGHT NEW CONSTRUCTION

TC22LED (G4 09LM) RECESSED HOUSING OPEN TRIMS

ORDERING INFORMATION Housing and trim can be ordered together or separate, but will always ship separately.

Example: TC22LED G4 09LM 27K 90CRI MVOLT ZT BR

Series	Generation	Lumens	Color Temperature	CRI	Voltage/Driver
TC22LED 6" LED Downlight Non-IC Rated Housing	G4 Generation 4	09LM 900 Nominal Lumens	27K 2700K	90CRI 90+ CRI	MVOLT ZT10 Multi-Volt (120-277), 0-10V, 10% dim
			30K 3000K		MVOLT ZT1 Multi-Volt (120-277), 0-10V, 1% dim
			35K 3500K		MVOLT EZ10 Multi-Volt (120-277), eldoLED 0-10V, 10% dim
			40K 4000K		MVOLT EZ1 Multi-Volt (120-277), eldoLED 0-10V, 1% dim
					MVOLT ECOD Multi-Volt (120-277), Lutron Hi-Lume EcoSystem, 1% Dimming

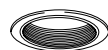
Emergency Battery	Territory
BR Emergency Battery	CP Chicago Plenum

Note: Chicago Plenum (CP) is not available with emergency option (BR)
Note: Lutron driver (MVOLT ECOD) is not available with emergency battery pack (BR)



A+ Capable options indicated by this color background

Trim/Description



24 WWH	6" Tapered Downlight Baffle Trim - White Baffle, White Trim Ring
24 BWH	6" Tapered Downlight Baffle Trim - Black Baffle, White Trim Ring
24 BSC	6" Tapered Downlight Baffle Trim - Black Baffle, Satin Chrome Trim Ring
24 BBRZ	6" Tapered Downlight Baffle Trim - Black Baffle, Bronze Trim Ring
24 BBL	6" Tapered Downlight Baffle Trim - Black Baffle, Black Trim Ring



27 BWH	6" Tapered Downlight Cone Trim - Black Cone, White Trim Ring
27 CWH	6" Tapered Downlight Cone Trim - Clear Alzak® Cone, White Trim Ring
27 GWH	6" Tapered Downlight Cone Trim - Gold Cone, White Trim Ring
27 HZWH	6" Tapered Downlight Cone Trim - Haze Cone, White Trim Ring
27 PTSC	6" Tapered Downlight Cone Trim - Pewter Cone, Satin Chrome Trim Ring
27 WHZBRZ	6" Tapered Downlight Cone Trim - Wheat Haze Cone, Bronze Trim Ring
27 WHZWH	6" Tapered Downlight Cone Trim - Wheat Haze Cone, White Trim Ring
27 WWH	6" Tapered Downlight Cone Trim - White Cone, White Trim Ring

Trim Size: 24, 27 - 7 5/8" O.D.

Alzak is a registered trademark of Alcoa Corp.

Note: In Canada when insulation is present, Type IC fixtures must be used.

Notes: ¹ Trim ring compatible with 24 and 27 trims.

Accessories (ordered separately)

Catalog Number	Description
HB1	Two 13 1/2" - 25" Reel Nail® 3 bar hangers
HB26	Two 26" C-channel bar hangers
HB50	Two 50" C-channel bar hangers
LB27	Two 27" linear bar hangers
LEDOPTICG3 MFL	Medium Flood Optic (50°)
LEDOPTICG3 NFL	Narrow Flood Optic (37°)
LEDOPTICG3 SP	Spot Optic (10°)
TR6 BRZ¹	6" Trim Ring - Bronze
TR6 BL¹	6" Trim Ring - Black
TR6 SC¹	6" Trim Ring - Satin Chrome
TR6 WH¹	6" Trim Ring - White

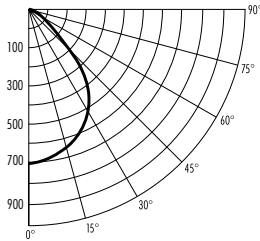
6" TC 900 LUMEN LED DOWNLIGHT NEW CONSTRUCTION

TC22LED (G4 09LM) RECESSED HOUSING
OPEN TRIMS

PHOTOMETRICS

PHOTOMETRIC REPORT

Test Report #: PT02141401R
Catalog No: TC22LED G4 09LM 35K
90CRI MVOLT with 24 WWH White
Trim and Standard Wide Flood Optic
Luminaire Spacing Criterion: 1.16
Luminaire LPW: 70



CANDLEPOWER DISTRIBUTION (Candelas)

Degrees	Candelas
Vertical	0°
0	701
5	694
15	653
25	583
35	457
45	207
55	91
65	45
75	26
85	6
90	0

Multiplier: 27K - 0.93
30K - 0.99
40K - 1.01

AVERAGE INITIAL FOOTCANDLES

Multiple Units (Square Array, 60'x60' room)
Ceiling 80% Wall 50% Floor 20%

Spacing	RCR1	RCR3	RCR5
4.0'	76	63	52
5.0'	49	40	33
6.0'	34	28	23
7.0'	27	23	19
8.0'	22	18	15
9.0'	17	14	11
10.0'	12	10	8

ZONAL LUMEN SUMMARY

Zone	Lumens	%Lamp	%Fixture
0-30°	517	N/A	46.0
0-40°	797	N/A	70.8
0-60°	1046	N/A	92.9
0-90°	1125	N/A	100.0

INITIAL FOOTCANDLES (One Unit, 16.1W, 78.8° Beam)

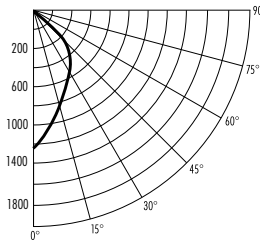
Distance to Illuminated Plane (Feet)	Footcandles Beam Center	Beam Diameter
4	43.8	6.6'
6	19.5	9.9'
8	10.9	13.1'
10	7.0	16.4'

LUMINANCE (Average cd/m²)

Degrees	Average 0° Lumiance
45	16031
55	8676
65	5788
75	5507
85	3774

PHOTOMETRIC REPORT

Test Report #: LTL25975R
Catalog No: TC22LED G4 09LM 35K
90CRI MVOLT with 27 CWH Clear Alzak®
Trim and Standard Wide Flood Optic
Luminaire Spacing Criterion: 0.78
Luminaire LPW: 77



CANDLEPOWER DISTRIBUTION (Candelas)

Degrees	Candelas
Vertical	0°
0	1226
5	1151
15	874
25	685
35	477
45	222
55	74
65	15
75	0
85	0
90	0

Multiplier: 27K - 0.93
30K - 0.99
40K - 1.01

AVERAGE INITIAL FOOTCANDLES

Multiple Units (Square Array, 60'x60' room)
Ceiling 80% Wall 50% Floor 20%

Spacing	RCR1	RCR3	RCR5
4.0'	78	71	61
5.0'	50	45	39
6.0'	35	32	27
7.0'	28	26	22
8.0'	22	20	17
9.0'	17	15	13
10.0'	12	11	10

ZONAL LUMEN SUMMARY

Zone	Lumens	%Lamp	%Fixture
0-30°	665	N/A	53.9
0-40°	967	N/A	78.3
0-60°	1218	N/A	98.7
0-90°	1234	N/A	100.0

INITIAL FOOTCANDLES (One Unit, 16.1W, 58.1° Beam)

Distance to Illuminated Plane (Feet)	Footcandles Beam Center	Beam Diameter
4	76.6	4.4'
6	34.0	6.7'
8	19.2	8.9'
10	12.3	11.1'

LUMINANCE (Average cd/m²)

Degrees	Average 0° Lumiance
45	19726
55	7703
65	2135
75	0
85	0

Fixtures tested to IES recommended standard for solid state lighting per LM-79-08. Photometric performance on a single unit represents a baseline of performance for the fixture. Results may vary in the field.