

DESCRIPTION

The Paralux III Series features recessed aesthetics and the latest in energy efficient technology. The luminaire incorporates a nominal 3" deep precision cell louver into a 4-3/4" deep para-contoured fixture housing. This combination creates a total high performance parabolic optical assembly for optimum performance. The series is compatible with all of today's popular ceiling systems and is available with a number of options and accessories for application versatility. The high performance luminaire is designed to offer maximum efficiency and performance for today's unique interior specifications. The Paralux III series is an excellent choice for commercial office spaces, schools, hospitals or retail merchandising areas.

SPECIFICATION FEATURES

Construction

4-3/4" deep, para-contoured housing, die formed of code gauge, prime cold rolled steel. Die embossed housing has full length die formed stiffeners for added strength. Contoured ballast/wireway cover is easily removed. Die formed captive lampholder bracket fully encloses lampholder wiring permitting easy lampholder replacement. Heavy gauge end plates are securely attached with interlocking tabs and screws. Four auxiliary fixture end suspension points provided. KO's for continuous row wiring. End plates have integral Grid-Lock feature for safety and convenience.

Electrical**

Ballast are CBM/ETL Class "P" and are positively secured by mounting bolts. Pressure lock lampholders. UL/CUL listed. Suitable for damp locations.

Finish

Lighting grade, baked white enamel finish. Multistage, iron phosphate pretreatment ensures maximum bonding and rust inhibition.

Hinging/Latching

Positive spring loaded, self locking, steel latches. Safety lock T-hinges allow hinging and latching from either side.

Catalog #		Type	
Project		Date	
Comments			
Prepared by			

Louver

Die formed of low iridescent, vertical grain anodized aluminum. Finish is Anodic oxide coating. Accurate precision parabolic cells are held in place with interlocking feature. True-cut mitered corners. Black reveal with integral mechanical light seal around entire perimeter of louver. Louver protected from construction contaminants by polyethylene cover.

Compliance

Options to meet Buy American Act requirements.

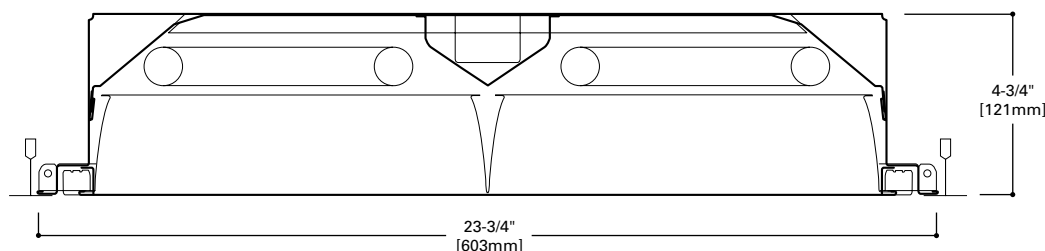


2EP3GAX
2U6T8

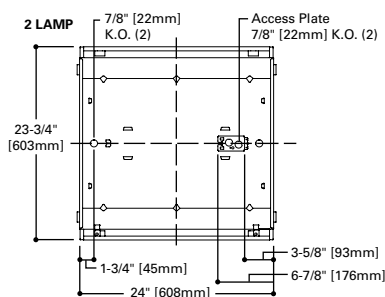
6, 9, 16 Cell

**2' X 2' PARABOLIC
2-U LAMPS
SEMI-SPECULAR, SPECULAR
OR WHITE PAINTED LOUVER**

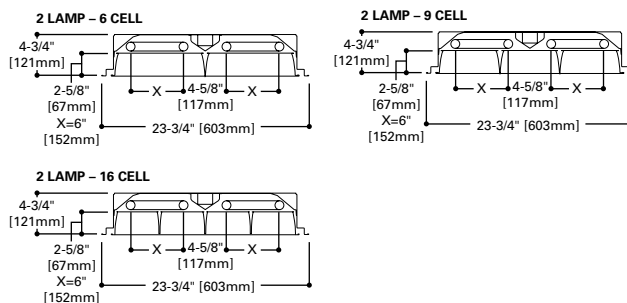
Paralux III
Recessed Static or Air
Supply Troffer



MOUNTING DATA



LAMP CONFIGURATIONS



CEILING COMPATIBILITY

G	G	G	F	MZ	Ceiling Type	Trim Type
Grid/Lay-in Standard	Concealed T	Slot Grid	Aluminum Flange Trim With Supporting Swing Gates	Modular Trim With Supporting Swing Gates	Exposed Grid	G
					Concealed T	G
					Slot Grid	G
					Flange	F
					Concealed "T" or "Z"	MZ
					Metal Pan	MZ
					(Verify compatibility/ consult factory.)	

ENERGY DATA

Input Watts:
EB Ballast & STD Lamps
2U6T8 (61)

Luminaire Efficacy Rating
LER = FP-52
Catalog Number: 2EP3GAX-332
Yearly Cost of 1000 lumens,
3000 hrs at .08 KWH = \$4.62

**Reference the lamp/ballast data in the Technical Section for specific lamp/ballast requirements.

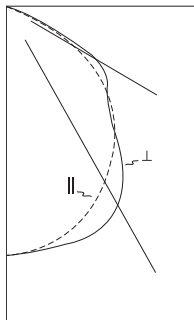
LAMPS CONTAIN MERCURY. DISPOSE ACCORDING TO LOCAL, STATE OR FEDERAL LAWS

LINEAR DISCONNECT

Safe and convenient means of disconnecting power.



PHOTOMETRICS



2EP3GAX-2U6T8S23I
Electronic Ballast

FB31T8/35K/6 Lamps
2600 Lumens

Spacing criterion:
(H) 1.2 x mounting
height, (L) 1.3 x
mounting height
Efficiency 63.8%

Test Report:
2EP3GAX2U6T8S23I.IES

LER = FP-52

Yearly Cost of 1000
lumens, 3000 hrs at
.08 KWH = \$4.62

Coefficients of Utilization

rc	Effective floor cavity reflectance																		
	80%				70%				20%				0%						
	rw	70	50	30	10	70	50	30	10	50	30	10	50	30	10	50	30	10	0
RCR	0	76	76	76	76	74	74	74	74	71	71	71	68	68	68	65	65	65	64
1	71	68	66	64	69	67	65	63	64	62	61	62	60	59	59	58	57	57	56
2	65	60	57	53	63	59	56	53	57	54	52	55	53	51	53	51	49	48	48
3	60	54	49	45	58	53	48	45	51	47	44	49	46	43	48	45	43	41	41
4	55	48	43	39	53	47	42	39	45	41	38	44	40	38	43	40	37	36	36
5	51	43	38	34	49	42	37	33	41	36	33	40	36	33	39	35	32	31	31
6	47	39	33	29	46	38	33	29	37	32	29	36	32	29	35	31	29	27	27
7	43	35	30	26	42	35	30	26	34	29	26	33	29	26	32	28	25	24	24
8	40	32	27	23	39	32	27	23	31	26	23	30	26	23	29	26	23	22	22
9	38	29	24	21	37	29	24	21	28	24	21	28	24	21	27	23	21	20	20
10	35	27	22	19	35	27	22	19	26	22	19	26	22	19	25	21	19	18	18

Zonal Lumen Summary

Zone	Lumens	%Lamp	%Fixture
0-30	1067	20.5	32.2
0-40	1717	33.0	51.8
0-60	2984	57.4	90.0
0-90	3317	63.8	100.0
0-180	3317	63.8	100.0

Typical VCP Percentages

Room Size (Ft.)	Height Along		Height Across	
	8.5'	10.0'	8.5'	10.0'
20 x 20	72	67	65	60
30 x 30	79	73	75	69
30 x 60	83	78	79	74
60 x 30	82	78	78	73
60 x 60	85	82	82	78

Candela

Angle	Along H	45°	Across ⊥
0	1314	1314	1314
5	1303	1311	1319
10	1274	1304	1338
15	1234	1300	1371
20	1188	1293	1383
25	1129	1266	1330
30	1066	1210	1174
35	990	1089	998
40	909	920	902
45	812	773	880
50	708	698	924
55	586	647	950
60	422	547	754
65	204	327	327
70	65	102	100
75	21	25	26
80	7	9	10
85	4	4	4
90	0	0	0

ORDERING INFORMATION

SAMPLE NUMBER: 2EP3GAX-2U6T8S23I-UNV-EB81-U

<p>Domestic Preferences⁽⁹⁾ [Blank]=Standard BAA=Buy American Act</p> <p>Rating Blank=Standard ATW-SW4 = Chicago Rated</p> <p>HR=Heat Removal⁽¹¹⁾</p> <p>Width 2=2' Width</p> <p>EP=Paralux Louver</p> <p>3=3" Louver Depth</p> <p>Trim Type G=Grid/Lay-in (Standard) G=Concealed T/Slot Grid⁽⁶⁾ F=Aluminum Flange Trim⁽⁷⁾ MZ=Modular Trim</p> <p>AX=Air Supply Floating Louver X=Blank Side/Floating Louver - Non-Air Supply (Omit A) AVX=Air Supply Floating Louver with Directional Air Vane (Add V)</p>	<p>Number of Lamps 2=2 Lamps</p> <p>Wattage (Length) U6T8=32WT8 (24")</p> <p>Louver Color S=Silver W=White</p> <p>Cell Configuration 23=2 Rows of 3, 6 Cell 33=3 Rows of 3, 9 Cell 44=4 Rows of 4, 16 Cell</p> <p>Louver Finish I=Semi-Specular/Haze (Low Iridescent) Standard (Silver Only) P=Painted (White only)</p> <p>Option - Aluminum Flange Trim⁽⁷⁾ Blank=SW (Single White) Type Color 'S' Single 'N' Natural 'R' In Row 'W' White 'E' End of Row</p>	<p>Voltage⁽³⁾ 120V=120 Volt 277V=277 Volt 347V=347 Volt UNV=Universal Voltage 120-277⁽⁴⁾</p> <p>Options GL=Single Element Fuse GM=Double Element Fuse WTR=White Reveal Lamps=Lamps Installed (refer to lamp ordering options) Flex=Flex Installed (Reference Flex ordering information) EL=Emergency Installed^{(5),(8)}</p>	<p>Ballast Type EB8 =T8 Electronic Start. Total Harmonic Distortion < 10% No. of Ballast 1, 2 or 3 EB8 /PLUS= T8 Electronic Start. Total Harmonic Distortion < 10% High Ballast Factor >1.15 No. of Ballast 1, 2 or 3 ER8 =T8 Electronic Program Rapid Start. Total Harmonic Distortion < 10% No. of Ballast 1, 2 or 3</p>	<p>Options PAF=Painted After Fabrication REP=Riveted Endplates</p> <p>Packaging U=Unit Pack PAL=Job Pack, out of carton PALC=Job Pack, in carton</p>
---	--	--	---	--

ACCESSORIES⁽¹⁰⁾

EQ-CLIP-U=T-BAR Safety Earthquake Clips⁽²⁾

NOTES: ⁽¹⁾ Integral end plate grid lock feature not available in heat removal. ⁽²⁾ An EQ Grid Clip is recommended for all 9/16" ceiling systems. Four required per fixture. ⁽³⁾ Products also available in non-US voltages and frequencies for international markets. ⁽⁴⁾ Not available when specifying emergencies, voltage must be specific. ⁽⁵⁾ Fixtures equipped with "EL" option may require a 5-1/2" housing depth. If installing in field, must use low profile battery pack. ⁽⁶⁾ Louver is recessed by 5/16" in Concealed T or Slot Grid T. ⁽⁷⁾ Specify row configuration, type in catalog number when ordering complete fixture. ⁽⁸⁾ Please specify required voltage, 120V or 277V. ⁽⁹⁾ Only product configurations with this designated prefix are built to be compliant with the Buy American Act of 1933 (BAA). Please refer to DOMESTIC PREFERENCES website for more information. Components shipped separately may be separately analyzed under domestic preference requirements. ⁽¹⁰⁾ Accessories sold separately will be separately analyzed under domestic preference requirements. Consult factory for further information.

Specifications & dimensions subject to change without notice. Consult your Cooper Lighting Solutions Representative for availability and ordering information.

SHIPPING DATA

Catalog No.	Wt.
2EP3GAX-2U6T8S23I	28 lbs.
2EP3GAX-2U6T8S33I	28 lbs.
2EP3GAX-2U6T8S44I	28 lbs.