

DESCRIPTION

The Paralux III Series features recessed aesthetics and the latest in energy efficient technology. The luminaire incorporates a nominal 3" deep precision cell louver into a 4-3/4" deep para-contoured fixture housing. This combination creates a total high performance parabolic optical assembly for optimum performance. The series is compatible with all of today's popular ceiling systems and is available with a number of options and accessories for application versatility. The high performance luminaire is designed to offer maximum efficiency and performance for today's unique interior specifications. The Paralux III series is an excellent choice for commercial office spaces, schools, hospitals or retail merchandising areas.

SPECIFICATION FEATURES

Construction

4-3/4" deep, para-contoured housing, die formed of code gauge, prime cold rolled steel. Die embossed housing has full length die formed stiffeners for added strength. Contoured ballast/wireway cover is easily removed without tools. Die formed captive lampholder bracket fully encloses lampholder wiring permitting easy lampholder replacement. Heavy end plates are securely attached with interlocking tabs and screws. Four auxiliary fixture end suspension points provided. KOs for continuous row wiring. End plates have labor saving integral Grid-Lock feature for safety and convenience. *

Electrical**

Ballast are CBM/ETL Class "P" and are positively secured by mounting bolts. Pressure lock lampholders. UL/CUL listed. Suitable for damp locations.

Finish

Lighting grade, baked white enamel finish. Multistage, iron phosphate pretreatment ensures maximum bonding and rust inhibition.

Hinging/Latching

Positive cam action spring loaded, self locking, black steel latches. Safety lock T-hinges allow hinging and latching either side.

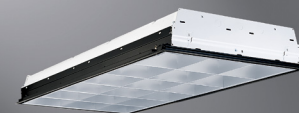
Catalog #		Type	
Project		Date	
Comments			
Prepared by			

Louver

Die formed of low iridescent, vertical grain anodized aluminum. Finish is Anodic oxide coating. Accurate precision parabolic cells are held in place with interlocking feature. True-cut mitered corners. Black reveal with integral mechanical light seal around entire perimeter of louver. Louver protected from construction contaminants by polyethylene cover.

Compliance

Options to meet Buy American Act requirements.

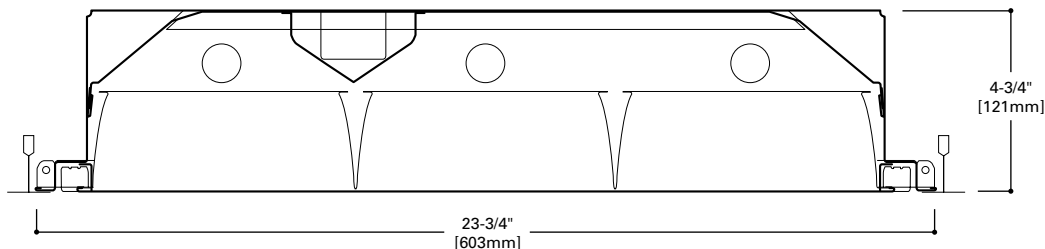


2EP3GAX
328T8
332

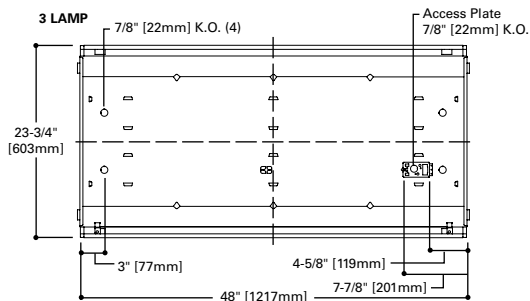
18, 24 Cell

**2' X 4' PARABOLIC
3 T8 LAMPS
SEMI-SPECULAR, SPECULAR
OR WHITE PAINTED LOUVER**

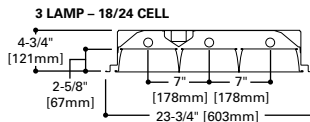
Paralux III
Recessed Static or Air
Supply Troffer



MOUNTING DATA



LAMP CONFIGURATIONS



CEILING COMPATIBILITY

G	G	G	F	MZ	Ceiling Type	Trim Type
Grid/Lay-in Standard	Concealed T	Slot Grid	Aluminum Flange Trim With Supporting Swing Gates	Modular Trim With Supporting Swing Gates	Exposed Grid	G
					Concealed T	G
					Slot Grid	G
					Flange	F
					Concealed "T" or "Z"	MZ
					Metal Pan	MZ
					(Verify compatibility/ consult factory.)	

ENERGY DATA

Input Watts:
EB Ballast & STD Lamps
328T8 (67)
332 (81)

Luminaire Efficacy Rating

LER = FP-77

Catalog Number: 2EP3GAX-332S36I

**Yearly Cost of 1000 lumens,
3000 hrs at .08 KWH = \$3.11**

**Reference the lamp/ballast data in the Technical Section for specific lamp/ballast requirements.

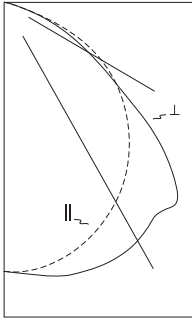
LAMPS CONTAIN MERCURY. DISPOSE ACCORDING TO LOCAL, STATE OR FEDERAL LAWS

LINEAR DISCONNECT

Safe and convenient means of disconnecting power.



PHOTOMETRICS



2EP3GX-332S361-EB82 Electronic Ballast F32T8/35K Lamps 3100 Lumens Spacing criterion: (H) 1.3 x mounting height, (L) 1.5 x mounting height Efficiency 69.1% Test Report: 220P211 LER = FP-77 Yearly Cost of 1000 lumens, 3000 hrs at .08 KWH = \$3.11

Candlepower table with columns: Angle, Along H, 45°, Across L. Rows from 0 to 90 degrees.

Coefficients of Utilization

Table showing Coefficients of Utilization for various effective floor cavity reflectance levels (80%, 70%, 50%, 30%, 10%, 0%) and RCR values (0 to 10).

Zonal Lumen Summary

Zonal Lumen Summary table with columns: Zone, Lumens, %Lamp, %Fixture. Rows for zones 0-30, 0-40, 0-60, 0-90, 0-180.

Typical VCP Percentages

Typical VCP Percentages table with columns: Room Size (Ft.), Height Along, Height Across. Rows for room sizes 20 x 20, 30 x 30, 30 x 60, 60 x 30, 60 x 60.

ORDERING INFORMATION

SAMPLE NUMBER: 2EP3GAX-332S361-UNV-EB81-U

Ordering options grid including Domestic Preferences, Rating, HR=Heat Removal, Width, EP=Paralux Louver, Trim Type, AX=Air Supply Floating Louver, Number of Lamps, Wattage, Louver Color, Cell Configuration, Louver Finish, Option - Aluminum Flange Trim, Voltage, Options, Lamps Installed, Ballast Type, High Performance T8 Ballasts, Options, Packaging, and Accessories.

NOTES: (1) Integral end plate grid lock feature not available in heat removal. (2) An EQ Grid Clip is recommended for all 9/16" ceiling systems. Four required per fixture. (3) Standard off-center ballast on 3-lamp fixtures. (4) Products also available in non-US voltages and frequencies for international markets. (5) Not available when specifying emergencies, voltage must be specific. (6) Fixtures equipped with "EL" option have 5-1/2" housing depth. (7) Louver is recessed by 5/16" in Concealed T or Slot Grid T. (8) Specify row configuration, type in catalog number when ordering complete fixture. (9) 32W lamps are 90 CRI only. (10) Please specify required voltage, 120V or 277V. (11) Only product configurations with this designated prefix are built to be compliant with the Buy American Act of 1933 (BAA). Please refer to DOMESTIC PREFERENCES website for more information. Components shipped separately may be separately analyzed under domestic preference requirements. (12) Accessories sold separately will be separately analyzed under domestic preference requirements. Consult factory for further information.

Specifications & dimensions subject to change without notice. Consult your Cooper Lighting Solutions Representative for availability and ordering information.



Cooper Lighting Solutions 1121 Highway 74 South Peachtree City, GA 30269 P: 770-486-4800 www.cooperlighting.com

© 2021 Cooper Lighting Solutions All Rights Reserved. Specifications and dimensions subject to change without notice.

SHIPPING DATA

Shipping Data table with columns: Catalog No., Wt. Rows for 2EP3GAX-328T8S361, 2EP3GAX-332S361, 2EP3GAX-328T8S381, 2EP3GAX-332S381.