

Industrial specification grade AC toggle switches

Project Name:	Prepared By:
Project Number:	Date:
Catalog Number:	Type:

Description

15A & 20A, 120/277V/AC; 30A, 120/277V/AC
Single-Pole, Double-Pole, 3-Way, 4-Way

Design features

- 120/277V/AC rating ideal for fluorescent lighting fixtures typical in commercial applications
- Lighted version toggle glows when in the OFF position
- Color-coded faces identify amperage: blue=15 amp, red=20 amp, green=30 amp
- 0.050" (1.27mm) thick steel mounting strap, nickel plated for corrosion resistance (pilot light and lighted switch straps are zinc plated)



AH1223W



3031V



AH1201PL

Table 1. Back & Side Wire

Catalog No.	Description	Amps	Volts	Color Suffix		
<input type="checkbox"/> AH1201__	Single-Pole	15	120/277	B, GY, RD, V, W	•	•
<input type="checkbox"/> AH1202__	Double-Pole	15	120/277	B, GY, V, W	•	•
<input type="checkbox"/> AH1203__	3-Way	15	120/277	B, GY, RD, V, W	•	•
<input type="checkbox"/> AH1204__	4-Way	15	120/277	B, GY, V, W	•	•
<input type="checkbox"/> AH1221__	Single-Pole	20	120/277	B, BK, GY, LA, RD, V, W	•	•
<input type="checkbox"/> AH1222__	Double-Pole	20	120/277	B, GY, RD, V, W	•	•
<input type="checkbox"/> AH1223__	3-Way	20	120/277	B, BK, GY, LA, RD, V, W	•	•
<input type="checkbox"/> AH1224__	4-Way	20	120/277	B, BK, GY, LA, RD, V, W	•	•
<input type="checkbox"/> 3031__	Single-Pole	30	120/277	B, RD, V, W	•	•
<input type="checkbox"/> 3032__	Double-Pole	30	120/277	B, RD, W	•	•

Table 2. Lighted Back & Side Wire

Catalog No.	Description	Amps	Volts	Color Suffix		
<input type="checkbox"/> AH1201LT__	Single-Pole Lighted	15	120/277	V, W	•	•
<input type="checkbox"/> AH1203LT__	3-Way Lighted	15	120/277	V, W	•	•
<input type="checkbox"/> AH1221LT__	Single-Pole Lighted	20	120/277	V, W	•	•
<input type="checkbox"/> AH1223LT__	3-Way Lighted	20	120/277	V, W	•	•

Table 3. Pilot Light Back & Side Wire

Catalog No.	Description	Amps	Volts	Color		
<input type="checkbox"/> AH1201PL	Single-Pole Pilot Lighted	15	120/277	RD	•	•
<input type="checkbox"/> AH1202PL	Double-Pole Pilot Lighted	15	120/277	RD	•	•
<input type="checkbox"/> AH1221PL	Single-Pole Pilot Lighted	20	120/277	RD	•	•
<input type="checkbox"/> AH1222PL	Double-Pole Pilot Lighted	20	120/277	RD	•	•
<input type="checkbox"/> 3032PL	Double-Pole Pilot Lighted	30	120/277	RD	•	•

Build-to-Spec Customizable Devices

NAFTA Compliant



Powering Business Worldwide

Project Name:	Prepared By:
Project Number:	Date:
Catalog Number:	Type:

Applications

Industrial grade switches incorporate the most durable design elements in the industry and are horsepower rated to handle motor loads.

Table 4. Specifications

Catalog No.	AH1200 and AH1220 Series	AH1200 and AH1220 Lighted and Pilot Light Series
	15A and 20A 120/277V Industrial Grade Toggle Switches	15A and 20A 120/277V Industrial Grade Toggle Switches
Wiring Type	Back & side wire	Back & side wire
Testing & Code Compliance	cULus Listed to UL 20, file no. E18704 UL Verified to Federal Spec WS-896-F	cULus Listed to UL 20, file no. E18704 UL Verified to Federal Spec WS-896-E CSA Certified to C22.2, no. 111, file no. 10016 (6241-05)
Environmental Specifications	Flammability: Meets UL94 requirements; V2 rated Temperature Rating: -20°C to 60°C (-4°F to 140°F)	Flammability: Meets UL94 requirements; V0 rated Temperature Rating: -20°C to 60°C (-4°F to 140°F)
Electrical Specifications	Dielectric Voltage: Withstands 1500V per UL 20 Current Interrupting: Yes, at full-rated current Temperature Rise: Max. 30°C (86°F) after 100 cycles of over-load and 30,000 cycles of endurance testing	Dielectric Voltage: Withstands 1500V per UL 20 Current Interrupting: Yes, at full-rated current Temperature Rise: Max. 30°C (86°F) after 100 cycles of over-load and 30,000 cycles of endurance testing
Mechanical Specifications	Terminal Accommodation: #14 - 10 AWG Voltage Ratings: Permanently marked on device Horsepower Ratings: Rated for loads per UL 20: 15A: @ 120V/AC = 1/2 HP, @ 240V/AC=2 HP; max. amps 12A 20A: @ 120V/AC = 1 HP, @ 240V/AC = 2 HP; max. amps 16A	Terminal Accommodation: #14 - 10 AWG Voltage Ratings: Permanently marked on device Horsepower Ratings: Rated for loads per UL 20: 15A: @ 120V/AC = 1/2 HP, @ 240V/AC=2 HP; max. amps 12A 20A: @ 120V/AC = 1 HP, @ 240V/AC = 2 HP; max. amps 16A

Table 5. Materials

Catalog No.	AH1200 and AH1220 Series	AH1200 and AH1220 Lighted and Pilot Light Series
	15A and 20A 120/277V Industrial Grade Toggle Switches	15A and 20A 120/277V Industrial Grade Toggle Switches
Toggle	Nylon	Urea
Top Housing	Polycarbonate, color-coded by amperage	Urea, color-coded by amperage
Bottom Housing	Polycarbonate	Phenolic
Strap	0.050" thick steel, nickel plated	0.050" thick steel, zinc plated
Auto Ground Clip	0.015" thick brass	0.030" thick brass
Terminals	0.030" thick brass	0.031" thick brass
Terminal Screws	#10-32 brass, black	#8-32 brass, black
Ground Screw	#8-32 steel, zinc plated, green	#8-32 steel, zinc plated, green
Back wire Clamp	0.070" plated steel (terminal screws), 0.50" (ground screw)	0.068" thick brass
Contacts	Silver alloy	Silver alloy
Moveable Contact Arm	0.030" thick brass	0.031" thick brass
Illuminated Models	N/A	Long-life neon bulb
Pilot Light Models	N/A	Red polycarbonate toggle with long-life neon bulb

Compliances, specifications and availability are subject to change without notice.

Project Name:	Prepared By:
Project Number:	Date:
Catalog Number:	Type:

Table 6. Specifications

Catalog No.	3030 Series
	30A 120/277V Industrial Grade Toggle Switches
Wiring Type	Back & side wire
Testing & Code Compliance	cULus Listed to UL 20, file no. E18704 UL Verified to Federal Spec WS-896-F
Environmental Specifications	Flammability: Meets UL94 requirements; V0 rated Temperature Rating: -20°C to 60°C (-4°F to 140°F)
Electrical Specifications	Dielectric Voltage: Withstands 1500V per UL 20 Current Interrupting: Yes, at full-rated current Temperature Rise: Max. 30°C (86°F) after 100 cycles of overload and 30,000 cycles of endurance testing
Mechanical Specifications	Terminal Accommodation: #14 - 10 AWG Voltage Ratings: Permanently marked on device Horsepower Ratings: Rated for loads per UL 20: 30A: @ 120V/AC = 1 HP, @ 240V/AC=2 HP; max. amps 24A

Table 7. Materials

Catalog No.	3030 Series
	30A 120/277V Industrial Grade Toggle Switches
Toggle	Nylon
Top Housing	Polycarbonate, color-coded green
Bottom Housing	Polycarbonate
Strap	0.050" thick steel, nickel plated
Auto Ground Clip	0.015" thick brass
Terminals	0.030" thick high performance copper alloy
Terminal Screws	#10-32 brass, neutral screw nickel plated
Ground Screw	#8-32 steel, zinc plated, green
Back wire Clamp	0.070" plated steel (terminal screws), 0.50" (ground screw)
Contacts	Silver alloy
Moveable Contact Arm	0.031" thick brass
Pilot Light Models	Red polycarbonate toggle with long-life LED

Table 8. Color Ordering Information

For ordering devices, include Catalog No. followed by the Color Suffix: B (Brown), BK (Black), GY (Gray), LA (Light Almond), RD (Red), V (Ivory), W (White)

B	BK	GY	LA	RD	V	W
(Brown)	(Black)	(Gray)	(Light Almond)	(Red)	(Ivory)	(White)

Compliances, specifications and availability are subject to change without notice.

Project Name:	Prepared By:
Project Number:	Date:
Catalog Number:	Type:

Product Dimensions

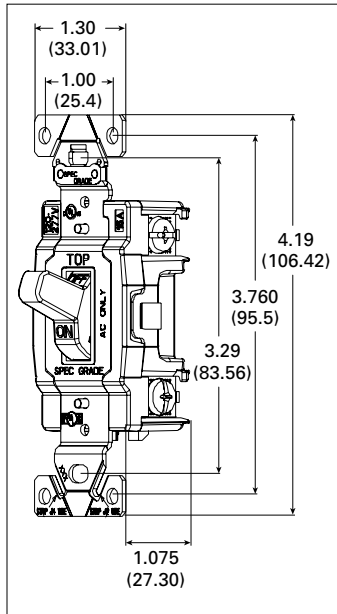


Figure 1. AH1200 Series

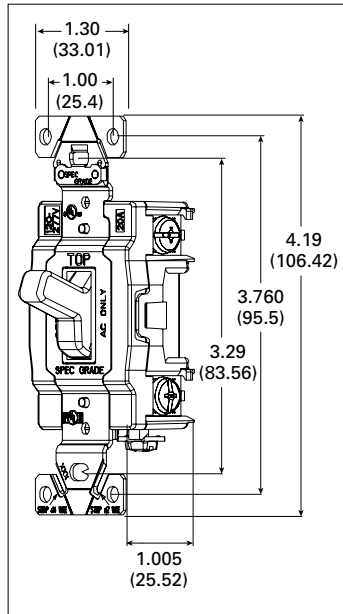


Figure 2. AH1220 Series

Compliances, specifications and availability are subject to change without notice.

Eaton
 1000 Eaton Boulevard
 Cleveland, OH 44122
 United States
 Eaton.com

Electrical Sector
 203 Cooper Circle
 Peachtree City, GA 30269
 United States
 Eaton.com
 Arrowhart.com

© 2013 Eaton
 All Rights Reserved
 Printed in USA
 Publication No. 125-0056-13
 September 2013

Industrial specification grade AC toggle switches

Project Name:	Prepared By:
Project Number:	Date:
Catalog Number:	Type:

Description

15A & 20A, 120/277V/AC; 30A, 120/277V/AC
Single-Pole, Double-Pole, 3-Way, 4-Way

Design features

- 120/277V/AC rating ideal for fluorescent lighting fixtures typical in commercial applications
- Lighted version toggle glows when in the OFF position
- Color-coded faces identify amperage: blue=15 amp, red=20 amp, green=30 amp
- 0.050" (1.27mm) thick steel mounting strap, nickel plated for corrosion resistance (pilot light and lighted switch straps are zinc plated)



AH1223W



3031V



AH1201PL

Table 1. Back & Side Wire

Catalog No.	Description	Amps	Volts	Color Suffix		
<input type="checkbox"/> AH1201__	Single-Pole	15	120/277	B, GY, RD, V, W	•	•
<input type="checkbox"/> AH1202__	Double-Pole	15	120/277	B, GY, V, W	•	•
<input type="checkbox"/> AH1203__	3-Way	15	120/277	B, GY, RD, V, W	•	•
<input type="checkbox"/> AH1204__	4-Way	15	120/277	B, GY, V, W	•	•
<input type="checkbox"/> AH1221__	Single-Pole	20	120/277	B, BK, GY, LA, RD, V, W	•	•
<input type="checkbox"/> AH1222__	Double-Pole	20	120/277	B, GY, RD, V, W	•	•
<input type="checkbox"/> AH1223__	3-Way	20	120/277	B, BK, GY, LA, RD, V, W	•	•
<input type="checkbox"/> AH1224__	4-Way	20	120/277	B, BK, GY, LA, RD, V, W	•	•
<input type="checkbox"/> 3031__	Single-Pole	30	120/277	B, RD, V, W	•	•
<input type="checkbox"/> 3032__	Double-Pole	30	120/277	B, RD, W	•	•

Table 2. Lighted Back & Side Wire

Catalog No.	Description	Amps	Volts	Color Suffix		
<input type="checkbox"/> AH1201LT__	Single-Pole Lighted	15	120/277	V, W	•	•
<input type="checkbox"/> AH1203LT__	3-Way Lighted	15	120/277	V, W	•	•
<input type="checkbox"/> AH1221LT__	Single-Pole Lighted	20	120/277	V, W	•	•
<input type="checkbox"/> AH1223LT__	3-Way Lighted	20	120/277	V, W	•	•

Table 3. Pilot Light Back & Side Wire

Catalog No.	Description	Amps	Volts	Color		
<input type="checkbox"/> AH1201PL	Single-Pole Pilot Lighted	15	120/277	RD	•	•
<input type="checkbox"/> AH1202PL	Double-Pole Pilot Lighted	15	120/277	RD	•	•
<input type="checkbox"/> AH1221PL	Single-Pole Pilot Lighted	20	120/277	RD	•	•
<input type="checkbox"/> AH1222PL	Double-Pole Pilot Lighted	20	120/277	RD	•	•
<input type="checkbox"/> 3032PL	Double-Pole Pilot Lighted	30	120/277	RD	•	•

Build-to-Spec Customizable Devices

NAFTA Compliant



Powering Business Worldwide

Project Name:	Prepared By:
Project Number:	Date:
Catalog Number:	Type:

Applications

Industrial grade switches incorporate the most durable design elements in the industry and are horsepower rated to handle motor loads.

Table 4. Specifications

Catalog No.	AH1200 and AH1220 Series	AH1200 and AH1220 Lighted and Pilot Light Series
	15A and 20A 120/277V Industrial Grade Toggle Switches	15A and 20A 120/277V Industrial Grade Toggle Switches
Wiring Type	Back & side wire	Back & side wire
Testing & Code Compliance	cULus Listed to UL 20, file no. E18704 UL Verified to Federal Spec WS-896-F	cULus Listed to UL 20, file no. E18704 UL Verified to Federal Spec WS-896-E CSA Certified to C22.2, no. 111, file no. 10016 (6241-05)
Environmental Specifications	Flammability: Meets UL94 requirements; V2 rated Temperature Rating: -20°C to 60°C (-4°F to 140°F)	Flammability: Meets UL94 requirements; V0 rated Temperature Rating: -20°C to 60°C (-4°F to 140°F)
Electrical Specifications	Dielectric Voltage: Withstands 1500V per UL 20 Current Interrupting: Yes, at full-rated current Temperature Rise: Max. 30°C (86°F) after 100 cycles of over-load and 30,000 cycles of endurance testing	Dielectric Voltage: Withstands 1500V per UL 20 Current Interrupting: Yes, at full-rated current Temperature Rise: Max. 30°C (86°F) after 100 cycles of over-load and 30,000 cycles of endurance testing
Mechanical Specifications	Terminal Accommodation: #14 - 10 AWG Voltage Ratings: Permanently marked on device Horsepower Ratings: Rated for loads per UL 20: 15A: @ 120V/AC = 1/2 HP, @ 240V/AC=2 HP; max. amps 12A 20A: @ 120V/AC = 1 HP, @ 240V/AC = 2 HP; max. amps 16A	Terminal Accommodation: #14 - 10 AWG Voltage Ratings: Permanently marked on device Horsepower Ratings: Rated for loads per UL 20: 15A: @ 120V/AC = 1/2 HP, @ 240V/AC=2 HP; max. amps 12A 20A: @ 120V/AC = 1 HP, @ 240V/AC = 2 HP; max. amps 16A

Table 5. Materials

Catalog No.	AH1200 and AH1220 Series	AH1200 and AH1220 Lighted and Pilot Light Series
	15A and 20A 120/277V Industrial Grade Toggle Switches	15A and 20A 120/277V Industrial Grade Toggle Switches
Toggle	Nylon	Urea
Top Housing	Polycarbonate, color-coded by amperage	Urea, color-coded by amperage
Bottom Housing	Polycarbonate	Phenolic
Strap	0.050" thick steel, nickel plated	0.050" thick steel, zinc plated
Auto Ground Clip	0.015" thick brass	0.030" thick brass
Terminals	0.030" thick brass	0.031" thick brass
Terminal Screws	#10-32 brass, black	#8-32 brass, black
Ground Screw	#8-32 steel, zinc plated, green	#8-32 steel, zinc plated, green
Back wire Clamp	0.070" plated steel (terminal screws), 0.50" (ground screw)	0.068" thick brass
Contacts	Silver alloy	Silver alloy
Moveable Contact Arm	0.030" thick brass	0.031" thick brass
Illuminated Models	N/A	Long-life neon bulb
Pilot Light Models	N/A	Red polycarbonate toggle with long-life neon bulb

Compliances, specifications and availability are subject to change without notice.

Project Name:	Prepared By:
Project Number:	Date:
Catalog Number:	Type:

Table 6. Specifications

Catalog No.	3030 Series
	30A 120/277V Industrial Grade Toggle Switches
Wiring Type	Back & side wire
Testing & Code Compliance	cULus Listed to UL 20, file no. E18704 UL Verified to Federal Spec WS-896-F
Environmental Specifications	Flammability: Meets UL94 requirements; V0 rated Temperature Rating: -20°C to 60°C (-4°F to 140°F)
Electrical Specifications	Dielectric Voltage: Withstands 1500V per UL 20 Current Interrupting: Yes, at full-rated current Temperature Rise: Max. 30°C (86°F) after 100 cycles of overload and 30,000 cycles of endurance testing
Mechanical Specifications	Terminal Accommodation: #14 - 10 AWG Voltage Ratings: Permanently marked on device Horsepower Ratings: Rated for loads per UL 20: 30A: @ 120V/AC = 1 HP, @ 240V/AC=2 HP; max. amps 24A

Table 7. Materials

Catalog No.	3030 Series
	30A 120/277V Industrial Grade Toggle Switches
Toggle	Nylon
Top Housing	Polycarbonate, color-coded green
Bottom Housing	Polycarbonate
Strap	0.050" thick steel, nickel plated
Auto Ground Clip	0.015" thick brass
Terminals	0.030" thick high performance copper alloy
Terminal Screws	#10-32 brass, neutral screw nickel plated
Ground Screw	#8-32 steel, zinc plated, green
Back wire Clamp	0.070" plated steel (terminal screws), 0.50" (ground screw)
Contacts	Silver alloy
Moveable Contact Arm	0.031" thick brass
Pilot Light Models	Red polycarbonate toggle with long-life LED

Table 8. Color Ordering Information

For ordering devices, include Catalog No. followed by the Color Suffix: B (Brown), BK (Black), GY (Gray), LA (Light Almond), RD (Red), V (Ivory), W (White)

B	BK	GY	LA	RD	V	W
(Brown)	(Black)	(Gray)	(Light Almond)	(Red)	(Ivory)	(White)

Compliances, specifications and availability are subject to change without notice.

Project Name:	Prepared By:
Project Number:	Date:
Catalog Number:	Type:

Product Dimensions

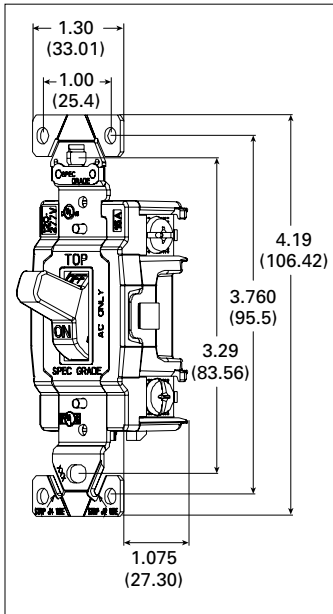


Figure 1. AH1200 Series

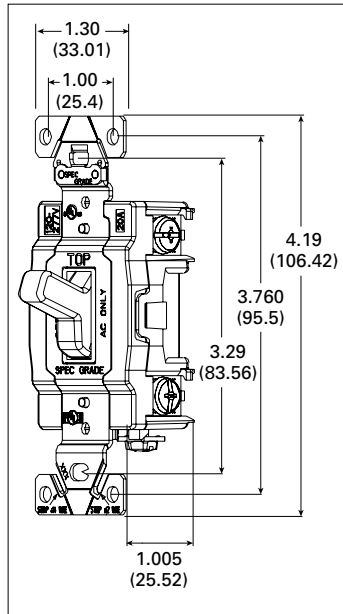


Figure 2. AH1220 Series

Compliances, specifications and availability are subject to change without notice.

Eaton
 1000 Eaton Boulevard
 Cleveland, OH 44122
 United States
 Eaton.com

Electrical Sector
 203 Cooper Circle
 Peachtree City, GA 30269
 United States
 Eaton.com
 Arrowhart.com

© 2013 Eaton
 All Rights Reserved
 Printed in USA
 Publication No. 125-0056-13
 September 2013