

LED



Commander® LED Rotating Warning Lights

Model 371LED

HEAVY DUTY WARNING LIGHTS

- Available in 120VAC
- 371LED is available in five dome colors
- 50,000 hour LED light source
- Surface mount and integrated 1-inch NPT pipe mount
- Type 4X, IP66 enclosure
- UL and cUL Listed

Federal Signal Model 371LED warning lights have an array of 12 powerful LEDs arranged below a reflector. The reflector focuses the light from the LEDs into a high intensity beam and rotates 360 degrees.

The LEDs, reflector, and motor module are sealed under a polycarbonate dome which completes a water-tight, dust-tight enclosure.

Model 371LED is available in five colors: Amber, Blue, Clear, Green and Red. The dome and ring assembly simply screws on, providing access to the interior of the light.

The new 371LED base features electrostatically applied black powder paint for greater corrosion resistance. Wiring can be routed through the pipe-mount opening in the bottom of the light or the two side knockouts can be used for side entry wiring. Installation can be surface or 1-inch NPT pipe mount. An optional 22.5° reflector alternative for ceiling mounted applications. Optional wall and corner mount brackets are available.

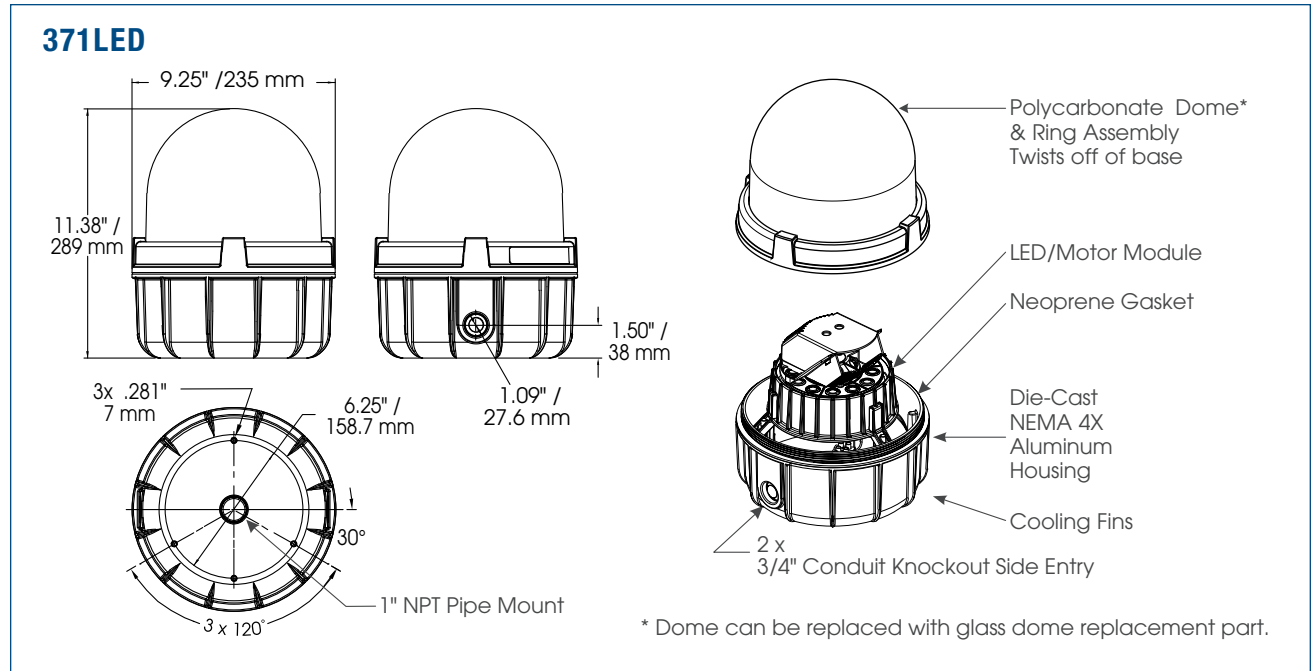
The 371LED is Type 4X, IP66 rated, UL and cUL Listed.

Model	Voltage	Operating Current	Flash Rate/Minute	Candela	Mount
371LED-120*	120VAC 50/60Hz	380 mA	60	15,000	1" NPT Pipe/Surface

*Indicates color: (A) Amber, (B) Blue, (C) Clear, (G) Green or (R) Red



COMMANDER® LED LIGHT (371LED)



SPECIFICATIONS

Lamp Life:	50,000 Hours	
Light Source:	LED	
Operating Temperature:	-31°F to 150°F	-35°C to 66°C
Net Weight:	7.1 lbs.	3.2 kg
Shipping Weight:	8.1 lbs.	3.7 kg
Height:	11.38"	288.9 mm
Diameter:	9.12"	231.8 mm

HOW TO ORDER

- Specify model and color
- Optional Accessories:
 - Corner Bracket (LCMB2)*
 - Wall Bracket (LWMB2)*
 - Solid Surface Mounting Bracket (371BRCKT)*
 - Shock Mount Kit (K8459A076C)
 - 3/4" Hub Kit (K8459138A)
 - 1" Plug Kit (K8459130A)
 - 22.5 Reflector (K8459154A)

* Rated for NEMA 3R installations.

REPLACEMENT PARTS

<u>Description (Current Series)</u>	<u>Part Number</u>	<u>Description</u>	<u>Part Number</u>
Series B Dome and Ring Assembly		Gasket, Surface Mount	K8459127A
Amber Polycarbonate ¹	K8459125A	LED/Motor Module, Amber	K8459159A-A
Blue Polycarbonate ¹	K8459125A-01	LED/Motor Module, Blue	K8459159A-B
Clear Polycarbonate ¹	K8459125A-02	LED/Motor Module, White	K8459159A-W
Green Polycarbonate ¹	K8459125A-03	LED/Motor Module, Green	K8459159A-G
Red Polycarbonate ¹	K8459125A-04	LED/Motor Module, Red	K8459159A-R
Amber Glass	K8459126A		
Blue Glass	K8459126A-01		
Red Glass	K8459126A-02		

¹ Includes 1 dome gasket