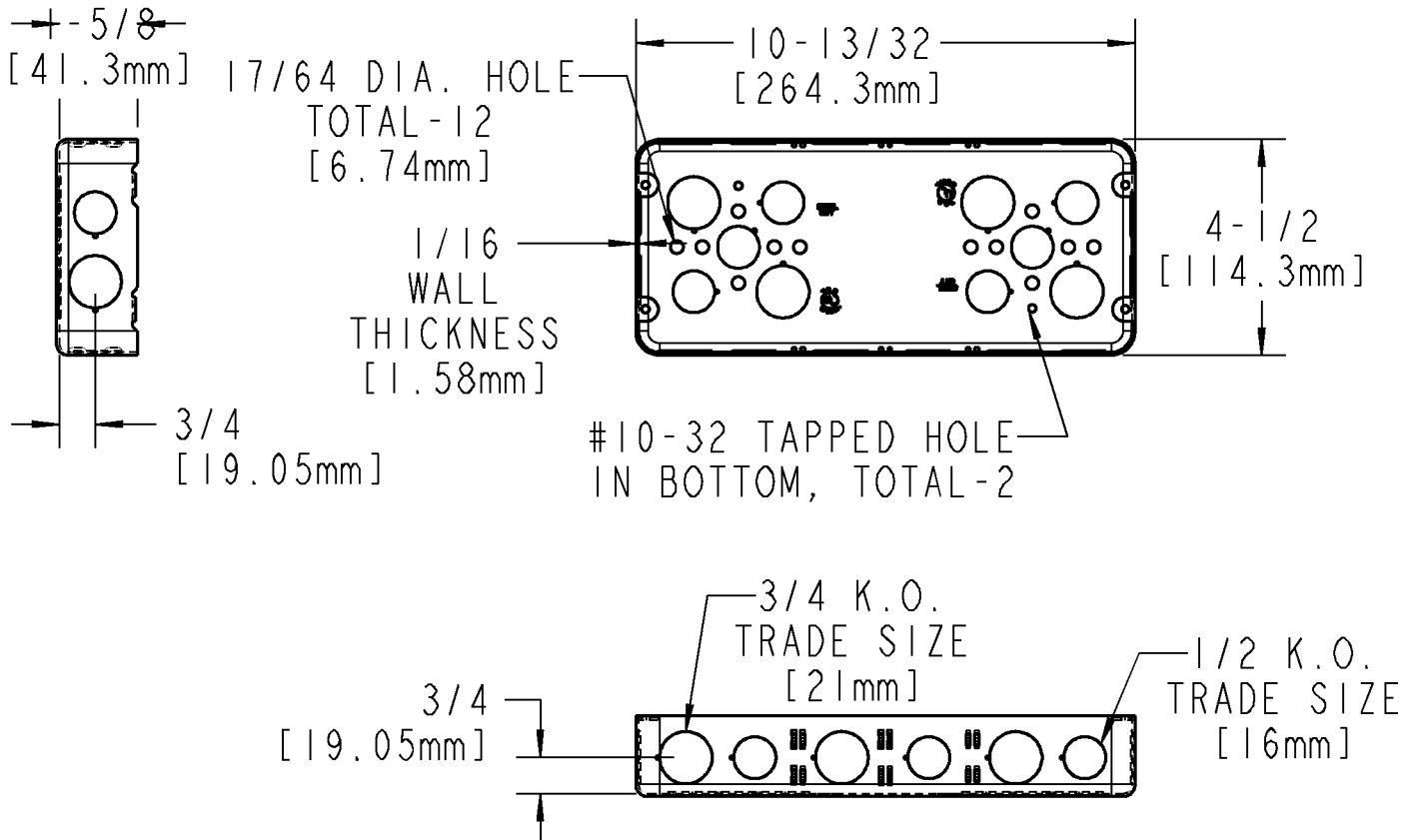
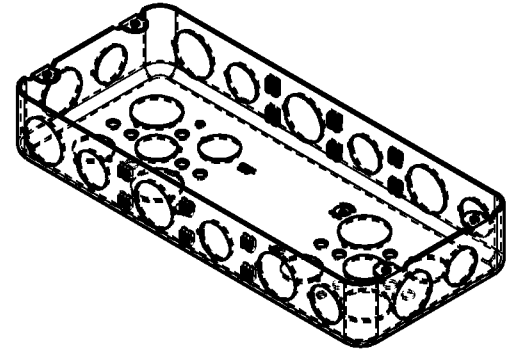




Thomas & Betts



70.0 CU. IN
 [1147.1 CU. CM]

CAT. NO. 4G 1/2 3/4

TYPE OF K.O.	SIDES	ENDS	BOTTOM	TOTAL
NO. OF 1/2 K.O.'S	6	2	6	14
NO. OF 3/4 K.O.'S	6	2	4	12

GENERAL NOTES

- ALL DIMENSIONS ARE FOR REFERENCE ONLY.
- DIMENSIONS IN BRACKETS [] ARE IN METRIC UNITS.

www.tnb.com

Thomas & Betts
 A Member of the ABB Group

REVISIONS

0 SEE ERN (****) FOR APPROVAL SIGNATURES & RELEASE DATE. PROJECT NO: ****

DESCRIPTION:

**4G 1/2 3/4
 GANG BOX**

ORIGINAL PROJECT NO / (ERN NO)

NM400367 / (2015599)

SHEET NO:

1 OF 1

REV. NO:

0

DRAWING NO:

WSD-001289