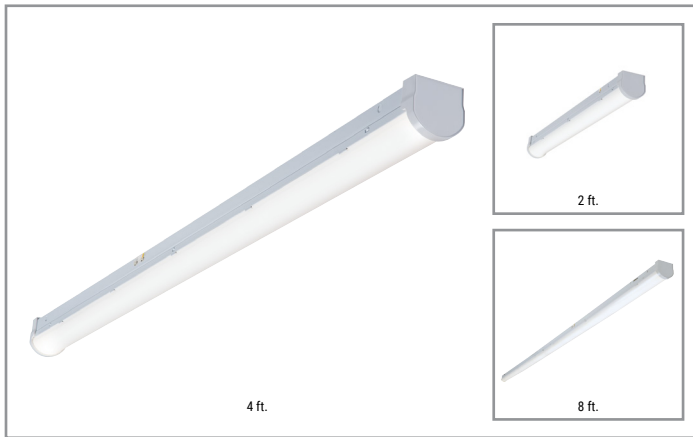


|             |  |           |  |      |  |
|-------------|--|-----------|--|------|--|
| Project     |  | Catalog # |  | Type |  |
| Prepared by |  | Notes     |  | Date |  |



# Metalux

## SLSTP Lensed LED

Selectable CCT and Lumen LED Striplight

**Typical Applications**  
Commercial • Industrial • Retail • Residential

### Interactive Menu

- Order Information [page 2](#)
- Photometric Data [page 4](#)
- Sensor Coverage [page 5](#)
- Product Warranty

### Product Certification



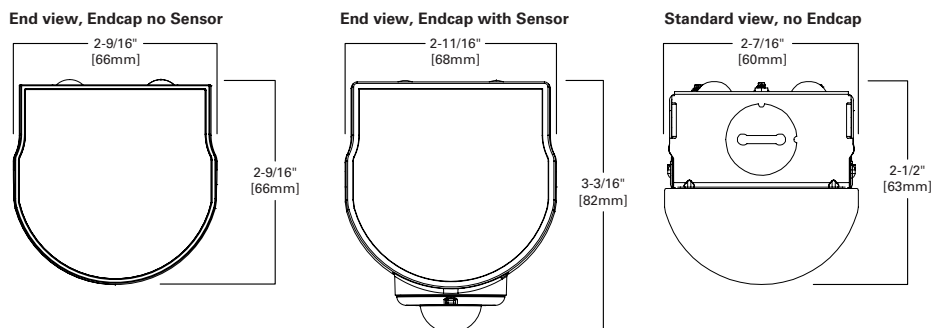
### Product Features



### Top Product Features

- External selectable switches provide easy, in field customization
- (3) color temperature and lumen select option provide application versatility
- Single frost lens (no breaks) provides clean, continuous lighting layout
- Up to 143 LPW and DLC compliant to enable rebates and energy savings
- Available in 8ft, 4ft and 2ft lengths, single and continuous mount capable
- UNV and 347V driver with 0-10V dimming, 10% standard
- Jbox cover, decorative endcap included to complete install.

### Dimensional and Mounting Details



[additional product diagrams](#)

## Order Information and Performance Data

| Catalog #    | UPC          | Length | CCT (K) | Delivered Lumens | Watts | Efficacy (lm/W) | Dimming (Triac or 0-10V) | Input Current (A) |      |      |
|--------------|--------------|--------|---------|------------------|-------|-----------------|--------------------------|-------------------|------|------|
|              |              |        |         |                  |       |                 |                          | 120V              | 277V | 347V |
| 2SLSTPSC-UNV | 080083174409 | 2      | 3500    | 2445             | 22    | 113             | 0-10V Dim to 10%         | 0.18              | 0.08 | -    |
|              |              |        | 4000    | 2585             | 21    | 123             |                          | 0.17              | 0.08 |      |
|              |              |        | 5000    | 2470             | 21    | 115             |                          | 0.18              | 0.08 |      |
| 4SLSTPSC-UNV | 080083174416 | 4      | 3500    | 2416             | 18    | 133             | 0-10V Dim to 10%         | 0.15              | 0.07 | -    |
|              |              |        | 4000    | 2418             | 18    | 137             |                          | 0.15              | 0.06 |      |
|              |              |        | 5000    | 2383             | 18    | 134             |                          | 0.15              | 0.06 |      |
|              |              |        | 3500    | 3534             | 31    | 115             |                          | -                 | 0.26 | 0.11 |
|              |              |        | 4000    | 3627             | 30    | 122             |                          |                   | 0.25 | 0.11 |
|              |              |        | 5000    | 3523             | 30    | 116             |                          |                   | 0.25 | 0.11 |
|              |              |        | 3500    | 5802             | 48    | 121             |                          | -                 | 0.40 | 0.17 |
|              |              |        | 4000    | 6045             | 46    | 130             |                          |                   | 0.39 | 0.17 |
|              |              |        | 5000    | 5784             | 48    | 121             |                          |                   | 0.40 | 0.17 |
| 8SLSTPSC-UNV | 080083174423 | 8      | 3500    | 4215             | 34    | 125             | 0-10V Dim to 10%         | 0.28              | 0.12 | -    |
|              |              |        | 4000    | 4321             | 33    | 130             |                          | 0.28              | 0.12 |      |
|              |              |        | 5000    | 4288             | 34    | 127             |                          | 0.28              | 0.12 |      |
|              |              |        | 3500    | 7782             | 64    | 121             |                          | -                 | 0.54 | 0.23 |
|              |              |        | 4000    | 8141             | 63    | 130             |                          |                   | 0.52 | 0.23 |
|              |              |        | 5000    | 7901             | 64    | 123             |                          |                   | 0.54 | 0.23 |
|              |              |        | 3500    | 10456            | 88    | 118             |                          | -                 | 0.74 | 0.32 |
|              |              |        | 4000    | 11119            | 85    | 130             |                          |                   | 0.71 | 0.31 |
|              |              |        | 5000    | 10456            | 89    | 118             |                          |                   | 0.74 | 0.32 |
| 2SLSTPSC-347 | 080083249442 | 2      | 3500    | 2489             | 22    | 114             | 0-10V Dim to 10%         | -                 | -    | 0.06 |
|              |              |        | 4000    | 2631             | 21    | 125             |                          | -                 | -    | 0.06 |
|              |              |        | 5000    | 2538             | 22    | 117             |                          | -                 | -    | 0.06 |
| 4SLSTPSC-347 | 080083249466 | 4      | 3500    | 2339             | 18    | 127             | 0-10V Dim to 10%         | -                 | -    | 0.05 |
|              |              |        | 4000    | 2446             | 18    | 134             |                          | -                 | -    | 0.05 |
|              |              |        | 5000    | 2386             | 18    | 130             |                          | -                 | -    | 0.05 |
|              |              |        | 3500    | 3479             | 31    | 113             |                          | -                 | -    | 0.09 |
|              |              |        | 4000    | 3669             | 30    | 121             |                          | -                 | -    | 0.09 |
|              |              |        | 5000    | 3550             | 31    | 115             |                          | -                 | -    | 0.09 |
|              |              |        | 3500    | 5736             | 47    | 122             |                          | -                 | -    | 0.14 |
|              |              |        | 4000    | 6115             | 46    | 133             |                          | -                 | -    | 0.13 |
|              |              |        | 5000    | 5852             | 47    | 124             |                          | -                 | -    | 0.14 |
| 8SLSTPSC-347 | 080083249480 | 8      | 3500    | 4419             | 33    | 136             | 0-10V Dim to 10%         | -                 | -    | 0.09 |
|              |              |        | 4000    | 4556             | 32    | 143             |                          | -                 | -    | 0.09 |
|              |              |        | 5000    | 4521             | 32    | 140             |                          | -                 | -    | 0.09 |
|              |              |        | 3500    | 7937             | 64    | 124             |                          | -                 | -    | 0.18 |
|              |              |        | 4000    | 8325             | 62    | 134             |                          | -                 | -    | 0.18 |
|              |              |        | 5000    | 8254             | 65    | 127             |                          | -                 | -    | 0.19 |
|              |              |        | 3500    | 10622            | 87    | 123             |                          | -                 | -    | 0.25 |
|              |              |        | 4000    | 11202            | 84    | 134             |                          | -                 | -    | 0.24 |
|              |              |        | 5000    | 10692            | 86    | 124             |                          | -                 | -    | 0.25 |

### Energy Data - 120V

|                | 2'    | 4'    | 8'    |
|----------------|-------|-------|-------|
| PF             | 0.99  | 0.99  | 0.99  |
| THD%           | < 8.5 | < 9.9 | < 8.1 |
| Low Temp Start | -20°C | -20°C | -20°C |

### Shipping Data

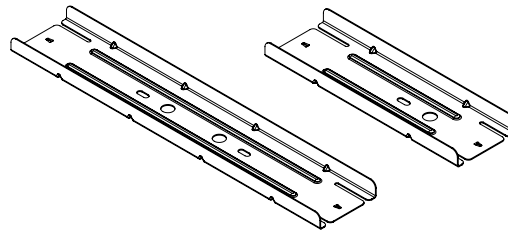
| Catalog Base | Wt. (lbs) | Unit per Pallet | Case Pack Qty. |
|--------------|-----------|-----------------|----------------|
| 2SLSTP       | 2.5       | 180             | 6              |
| 4SLSTP       | 4.5       | 120             | 4              |
| 8SLSTP       | 8         | 100             | 2              |

## Factory Installed Mod Shop Option

| Catalog       | Emergency Battery Installed <sup>(2), (4)</sup>                          |
|---------------|--|
| 2SLSTP* - ___ | <b>BSL6</b> = Bodine 6W Emergency<br><b>BSL10</b> = Bodine 10W Emergency |
| 4SLSTP* - ___ |  |
| 8SLSTP* - ___ |  |

Example: 4SLSTP\*SLC-UNV-BSL10

ROW ALIGNER 8' - 8'      ROW ALIGNER 8' - 4'



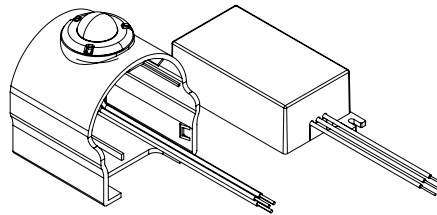
## Accessories

**AYC-Chain/Set=36"** Hanging Chain Set w/V Hooks  
**Y-TOGGLE-10-2PK=(2)** Y-Toggle Cable Kits at 10FT long <sup>(3)</sup>  
**SCF-12-B=12"** Fixed Stem Set (specify if another length is needed) <sup>(1)</sup>  
**2SLSTPLNS=2** ft. Replacement Lens  
**4SLSTPLNS=4** ft. Replacement Lens  
**8SLSTPLNS=8** ft. Replacement Lens  
**EBPLED7W=**User Installed, Remote Mount, 7 Watt LED Emergency Battery Pack  
**EBPLED14W=**User Installed, Remote Mount, 14 Watt LED Emergency Battery Pack  
**SLSTPMS00 KIT=**Field installable sensor kit, PIR Sensor 100% 50% OFF  
**SLSTPMS25 KIT=**Field installable sensor kit, PIR Sensor 100% 50% Low (~30%)  
**SLSTPROW88=**8ft to 8ft continuous row bracket  
**SLSTPROW842=**8ft to 4ft or 2ft continuous row bracket

**Notes:** (1) For stem, order two per fixture.  
 (2) For approximate delivered lumens multiply the lumens per watt of the desired fixture by the wattage of the emergency battery pack (100 lm/W x 7=700 lumens).  
 (3) Continuous row mount only between fixtures.  
 (4) EBP not available at 347V

| Catalog     | Unit UPC     | Unit Carton Qty | Case Qty |
|-------------|--------------|-----------------|----------|
| SLSTPROW88  | 080083815654 | 1               | 50       |
| SLSTPROW842 | 080083815661 | 1               | 50       |

SLSTP MOTION SENSOR KIT



| Catalog        | Unit UPC     | Unit Carton Qty | Case Qty |
|----------------|--------------|-----------------|----------|
| SLSTP MS00 Kit | 080083254200 | 1               | 50       |
| SLSTP MS25 Kit | 080083254224 | 1               | 50       |

## Product Specifications

### Construction

- Fixture channel, cover and end plates are formed from cold rolled steel
- Decorative end caps snap-on for an improved aesthetic finish
- Suitable for either single or continuous row applications

### Electrical

- Long-Life LED system with an energy-efficient electronic driver comes in UNV (120-277V) or 120/347V versions
- Available with 0-10V dimming
- CCT Selectable option for maximum color flexibility: choose from 3500K, 4000K or 5000K
- LED and Light Engine
  - Lumen select switch provides three lumen package choices (Low, Medium and High)
  - L70 at >50,000 hours (TM-21), over 23 years at 6 hrs/day
  - CRI 83 or better

### Controls

- Maximize energy savings - combine with products like occupancy sensors, daylighting controls, and lighting relay panels
- Standard 0-10V continuous dimming driver works with any standard 0-10V control/dimmer
- Dimming range is 10% to 100% and varies by control device
- Purple and grey (pink) low voltage dimming leads required from 0-10V dimmer switch to fixture
- PIR occupancy sensors enables code compliance. Refer to accessory kit for setting levels.
- Sensor kit can be field installed. Add up to (20) 4ft or (10) 8ft fixtures per single sensor kit. Kit is end mount only.

### Finish

- Post painted with high reflective paint – standard, for ease of handling

### Shielding

- Frost, polycarbonate lens with linear prisms for uniform light distribution

### Emergency Battery Pack Option

- Factory installed 120V-277V integral emergency battery pack available via mod-shop.
- 90-minute backup period for code compliance
- Factory installed integral test switch visible from room side

### Installation

- May be surface, suspended, or wall mounted
- Multiple 7/8" K.O. on back and one on each end
- Jbox cover, wire nuts and decorative end caps included

### Compliance

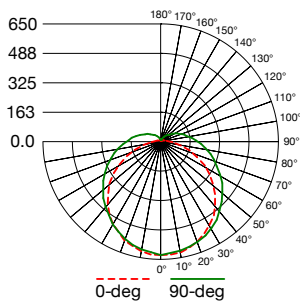
- cULus listed for damp location rated
- LED's comply with IESNA LM-79 and LM-80 standards
- DesignLights Consortium® Qualified and classified for DLC Standard, refer to [www.designlights.org](http://www.designlights.org) for details
- RoHS compliant
- Suitable for use in closet storage spaces when installed in accordance with NFPA-70 and NEC 410.16 spacing requirements

### Warranty

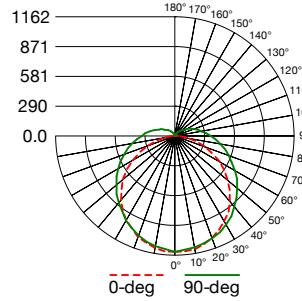
- Five year limited warranty

## Photometric Data

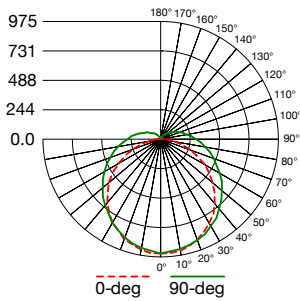
[View IES files](#)



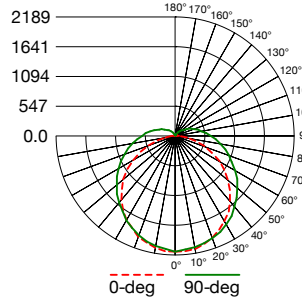
**4SLSTPSLC-UNV**  
 Electronic Driver  
 Linear LED 4000K  
 Spacing criterion: (H) 1.28 x mounting height, (L) 1.32 x mounting height  
 Lumens: 2418  
 Input Watts: 17.6W  
 Efficacy: 137 LPW  
 Test Report: 4SLSTPSLC-UNV-LO-4000K.IES



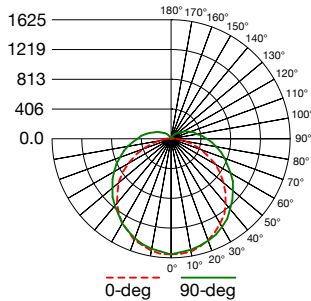
**8SLSTPSLC-UNV**  
 Electronic Driver  
 Linear LED 4000K  
 Spacing criterion: (H) 1.28 x mounting height, (L) 1.32 x mounting height  
 Lumens: 4321  
 Input Watts: 33.2W  
 Efficacy: 130 LPW  
 Test Report: 8SLSTPSLC-UNV-LO-4000K.IES



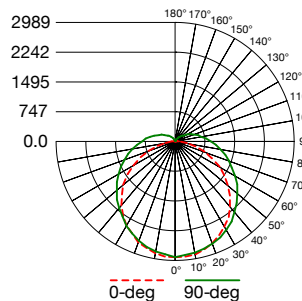
**4SLSTPSLC-UNV**  
 Electronic Driver  
 Linear LED 4000K  
 Spacing criterion: (H) 1.28 x mounting height, (L) 1.32 x mounting height  
 Lumens: 3627  
 Input Watts: 29.7W  
 Efficacy: 122 LPW  
 Test Report: 4SLSTPSLC-UNV-MID-4000K.IES



**8SLSTPSLC-UNV**  
 Electronic Driver  
 Linear LED 4000K  
 Spacing criterion: (H) 1.28 x mounting height, (L) 1.32 x mounting height  
 Lumens: 8141  
 Input Watts: 62.5W  
 Efficacy: 130 LPW  
 Test Report: 8SLSTPSLC-UNV-MID-4000K.IES

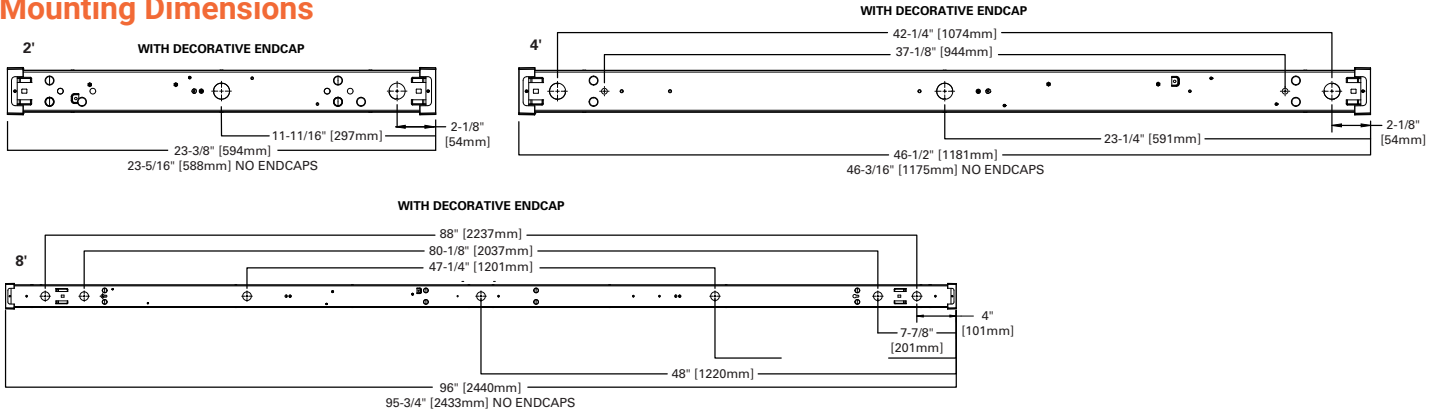


**4SLSTPSLC-UNV**  
 Electronic Driver  
 Linear LED 4000K  
 Spacing criterion: (H) 1.28 x mounting height, (L) 1.32 x mounting height  
 Lumens: 6045  
 Input Watts: 46.4W  
 Efficacy: 130 LPW  
 Test Report: 4SLSTPSLC-UNV-HI-4000K.IES

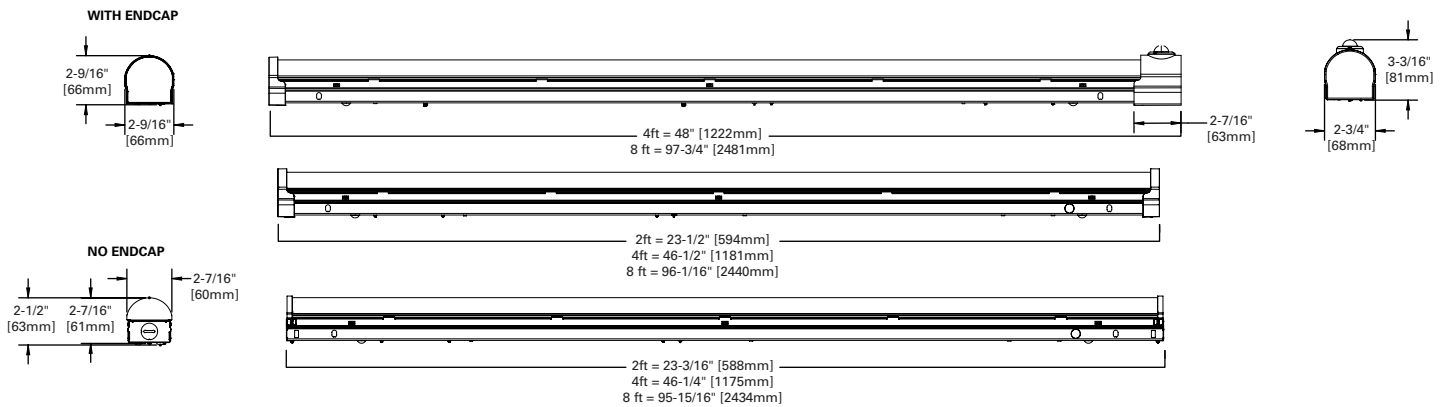


**8SLSTPSLC-UNV**  
 Electronic Driver  
 Linear LED 4000K  
 Spacing criterion: (H) 1.28 x mounting height, (L) 1.32 x mounting height  
 Lumens: 11119  
 Input Watts: 85.4W  
 Efficacy: 130 LPW  
 Test Report: 8SLSTPSLC-UNV-HI-4000K.IES

## Mounting Dimensions

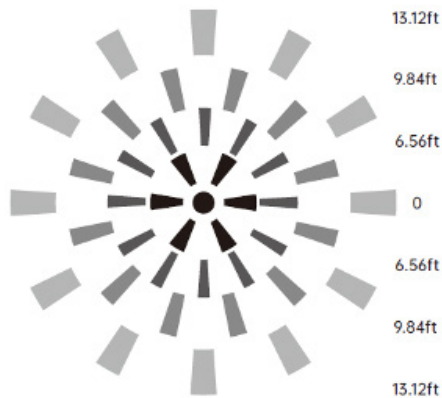


## Overall Dimensions

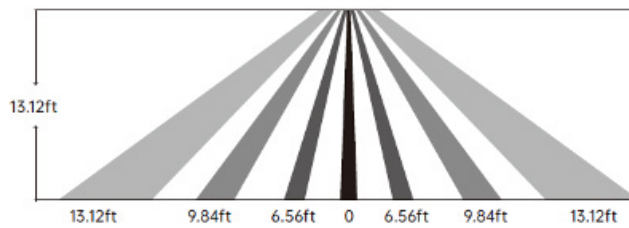


## Sensor Coverage (MS Sensor Kit)

SENSOR COVERAGE PATTERN - TOP VIEW



SIDE VIEW



LIGHT OUTPUT OVER TIME

