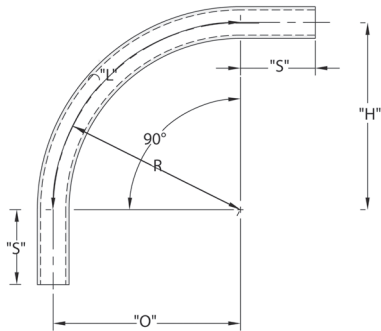


Schedule 80 Standard Radius 90° Elbow - Plain End



CANTEX 90-Degree Plain End Schedule 80 Standard Radius Elbows are used to change the direction of a conduit run by 90 degrees.

- Schedule 80 Extra Heavy Wall Nonmetallic PVC construction for strength and durability
- For indoor or outdoor use
- Suitable for aboveground or buried
- Plain end connections are solvent weld
- ETL Listed
- Made in USA



| Part Number | Trade Size | Carton Qty. | "R"    | "O"    | "H"    | "S" MIN | "L"    |
|-------------|------------|-------------|--------|--------|--------|---------|--------|
| 5121053     | 1/2        | 50          | 4.000  | 4.000  | 4.000  | 1.500   | 6.250  |
| 5121054     | 3/4        | 35          | 4.500  | 4.500  | 4.500  | 1.500   | 7.125  |
| 5121055     | 1          | 20          | 5.750  | 5.750  | 5.750  | 1.875   | 9.000  |
| 5121056     | 1-1/4      | 30          | 7.250  | 7.250  | 7.250  | 2.000   | 11.375 |
| 5121057     | 1-1/2      | 30          | 8.250  | 8.250  | 8.250  | 2.000   | 13.000 |
| 5121058     | 2          | 15          | 9.500  | 9.500  | 9.500  | 2.000   | 15.000 |
| 5121059     | 2-1/2      | 18          | 10.500 | 10.500 | 10.500 | 3.000   | 16.500 |
| 5121060     | 3          | 14          | 13.000 | 13.000 | 13.000 | 3.125   | 20.375 |
| 5121068     | 3-1/2      | 12          | 15.000 | 15.000 | 15.000 | 3.250   | 23.500 |
| 5121061     | 4          | 10          | 16.000 | 16.000 | 16.000 | 3.375   | 25.125 |
| 5121062     | 5          | 30*         | 24.000 | 24.000 | 24.000 | 3.625   | 37.625 |
| 5121063     | 6          | 25*         | 30.000 | 30.000 | 30.000 | 3.750   | 47.125 |

\* Pallet Quantity

Dimensions are nominal

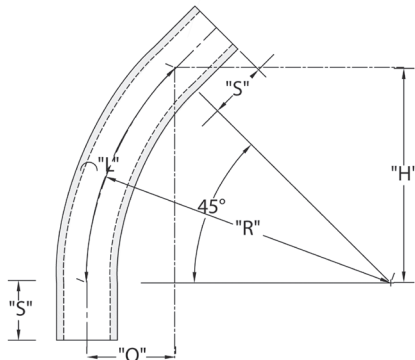
Conforms to UL651 and NEMA TC3  
 Material is Rigid PVC  
 Bend Tolerance is ±2°

Schedule 80 Standard Radius 45° Elbow - Plain End



CANTEX 45-Degree Plain End Schedule 80 Standard Radius Elbows are used to change the direction of a conduit run by 45 degrees.

- Schedule 80 Extra Heavy Wall Nonmetallic PVC construction for strength and durability
- For indoor or outdoor use
- Suitable for aboveground or buried
- Plain end connections are solvent weld
- ETL Listed
- Made in USA



| Part Number | Trade Size | Carton Qty. | "R"    | "O"   | "H"    | "S" MIN | "L"    |
|-------------|------------|-------------|--------|-------|--------|---------|--------|
| 5121003     | 1/2        | 50          | 4.000  | 1.188 | 2.875  | 1.500   | 3.125  |
| 5121004     | 3/4        | 25          | 4.500  | 1.313 | 3.188  | 1.500   | 3.500  |
| 5121005     | 1          | 20          | 5.750  | 1.688 | 4.000  | 1.875   | 4.500  |
| 5121006     | 1-1/4      | 25          | 7.250  | 2.125 | 5.125  | 2.000   | 5.688  |
| 5121007     | 1-1/2      | 20          | 8.250  | 2.375 | 5.875  | 2.000   | 6.500  |
| 5121008     | 2          | 10          | 9.500  | 2.813 | 6.750  | 2.000   | 7.500  |
| 5121009     | 2-1/2      | 20          | 10.500 | 2.563 | 7.375  | 3.000   | 8.250  |
| 5121010     | 3          | 8           | 13.000 | 3.813 | 9.188  | 3.125   | 10.250 |
| 5121011     | 4          | 20          | 16.000 | 4.688 | 11.438 | 3.375   | 12.625 |
| 5121012     | 5          | 30*         | 24.000 | 7.000 | 17.000 | 3.625   | 18.875 |
| 5121013     | 6          | 25*         | 30.000 | 8.813 | 21.250 | 3.750   | 23.875 |

\* Pallet Quantity

Dimensions are nominal

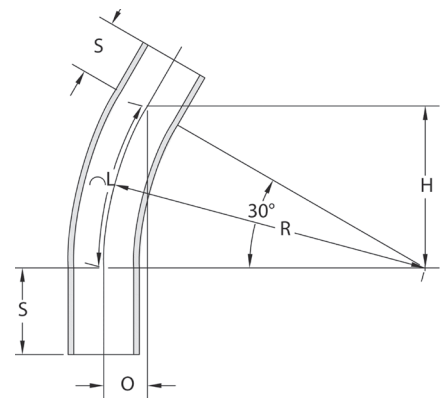
Conforms to UL651 and NEMA TC3  
 Material is Rigid PVC  
 Bend Tolerance is ±2°

## Schedule 80 Standard Radius 30° Elbow - Plain End

| Part Number | Trade Size | Carton Qty. | "R"    | "O"   | "H"    | "S" MIN | "L"    |
|-------------|------------|-------------|--------|-------|--------|---------|--------|
| 5121000     | 1/2        | 50          | 4.000  | .500  | 2.000  | 1.500   | 2.125  |
| 5121001     | 3/4        | 25          | 4.500  | .625  | 2.250  | 1.500   | 2.375  |
| 5121002     | 1          | 20          | 5.750  | .750  | 2.875  | 1.875   | 3.000  |
| 5121106     | 1-1/4      | 25          | 7.250  | 1.000 | 3.625  | 2.000   | 3.813  |
| 5121850     | 1-1/2      | 20          | 8.250  | 1.063 | 4.125  | 2.000   | 4.313  |
| 5121108     | 2          | 10          | 9.500  | 1.250 | 4.750  | 2.000   | 5.000  |
| 5121109     | 2-1/2      | 20          | 10.500 | 1.438 | 5.250  | 3.000   | 5.500  |
| 5121110     | 3          | 8           | 13.000 | 1.750 | 6.500  | 3.125   | 6.813  |
| 5121111     | 4          | 20          | 16.000 | 2.063 | 8.000  | 3.375   | 8.375  |
| 5121112     | 5          | 30*         | 24.000 | 3.188 | 12.000 | 3.625   | 12.563 |
| 5121113     | 6          | 25*         | 30.000 | 4.000 | 15.000 | 3.750   | 15.688 |

CANTEX 30-Degree Plain End Schedule 80 Standard Radius Elbows are used to change the direction of a conduit run by 30 degrees.

- Schedule 80 Extra Heavy Wall Nonmetallic PVC construction for strength and durability
- For indoor or outdoor use
- Suitable for aboveground or buried
- Plain end connections are solvent weld
- ETL Listed
- Made in USA



\* Pallet Quantity

Dimensions are nominal

Conforms to UL651 and NEMA TC3

Material is Rigid PVC

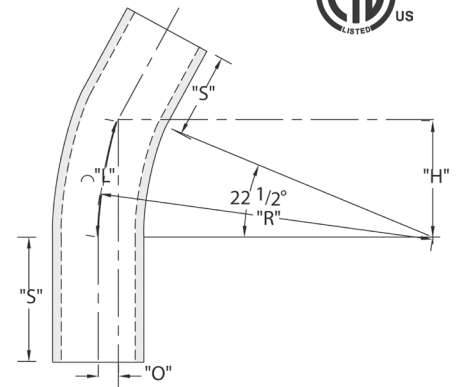
Bend Tolerance is  $\pm 2^\circ$

## Schedule 80 Standard Radius 22-1/2° Elbow - Plain End

| Part Number | Trade Size | Carton Qty. | "R"    | "O"   | "H"   | "S" MIN | "L"   |
|-------------|------------|-------------|--------|-------|-------|---------|-------|
| 5136649     | 1-1/2      | 25          | 8.250  | .625  | 3.125 | 2.000   | 3.250 |
| 5136659     | 2          | 10          | 9.500  | .750  | 3.625 | 2.000   | 3.750 |
| 5136669     | 2-1/2      | 20          | 10.500 | .813  | 4.000 | 3.000   | 4.125 |
| 5136679     | 3          | 8           | 13.000 | 1.000 | 5.000 | 3.125   | 5.125 |
| 5121868     | 4          | 20          | 16.000 | 1.250 | 6.125 | 3.375   | 6.250 |
| 5121125     | 5          | *60         | 24.000 | 1.813 | 9.188 | 3.625   | 9.375 |

CANTEX 22 1/2-Degree Plain End Schedule 80 Standard Radius Elbows are used to change the direction of a conduit run by 22-1/2 degrees.

- Schedule 80 Extra Heavy Wall Nonmetallic PVC construction for strength and durability
- For indoor or outdoor use
- Suitable for aboveground or buried
- Plain end connections are solvent weld
- ETL Listed
- Made in USA



\* Pallet Quantity

Dimensions are nominal

Conforms to UL651 and NEMA TC3

Material is Rigid PVC

Bend Tolerance is  $\pm 2^\circ$