

Single Gang Toggle Switch Cover



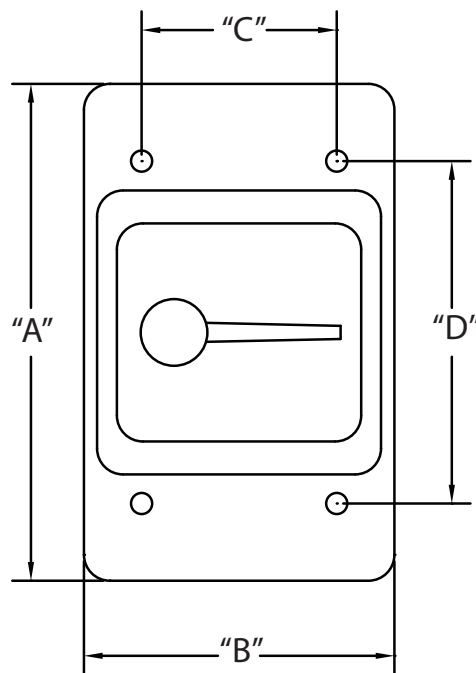
Weatherproof cover fits a single gang FS type box. Toggle arm operates a standard 115 volt single or double pole switch which is completely enclosed

Wet locations when cover is closed.



Part Number	Trade Size	Carton Quantity	"A"	"B"	"C"	"D"
5133330	--	10	4.813	3.000	1.875	3.313

Dimensions are nominal



Single Gang Toggle Switch Cover



Weatherproof cover fits a single gang FS type box. Toggle arm operates a standard 115 volt single or double pole switch which is completely enclosed

Wet locations when cover is closed.



Part Number	Trade Size	Carton Quantity	"A"	"B"	"C"	"D"
5133330	--	10	4.813	3.000	1.875	3.313

Dimensions are nominal

